

LEDVANCE.COM



LEDVANCE



DOWNLIGHTS 2025

THE PERFECT FIT

POWERED THROUGH
OUR NEW PORTFOLIO

THE NEW DOWNLIGHT PORTFOLIO FROM LEDVANCE



MAXIMUM FLEXIBILITY
FOR EVERY REQUIREMENT



HIGH FLEXIBILITY

The new, well-structured downlight portfolio from LEDVANCE includes versatile solutions for offices, public areas, hospitality zones and ancillary rooms. Offering the highest quality of light, outstanding colour rendering and uniform illumination, the downlights create optimal lighting conditions in any environment. Thanks to various designs, MULTI LUMEN and MULTI COLOUR technology, and optional accessories such as surface mounted frames and bezels, the luminaires can be customised to suit a wide range of needs. And they provide reliable quality thanks to a 5-year guarantee.

A range that offers clever solutions for any installation – easy to mount, flexible to customise and ideal for every application. Get what fits best!

- + **LARGE PORTFOLIO:** versatile product families for all needs
- + **ACCESSORIES:** flexible mounting options and easy installation
- + **MAXIMUM QUALITY OF LIGHT:** with the BIOLUX HCL TW ZIGBEE DOWNLIGHT GEN 2
- + **MULTI LUMEN:** adjustable luminous flux in two or three steps 
- + **MULTI COLOUR:** adjustable colour temperature (3000 K/4000 K) 
- + **MULTI CUT-OUT FUNCTION:** adjustable springs for various ceiling cut-outs



READY, SET, LIGHT!

MULTI SELECT provides the option of adjusting DOWNLIGHT COMFORT and DOWNLIGHT SLIM ALU on site. MULTI LUMEN allows the luminous flux to be set directly at the driver. And with MULTI COLOUR, the light colour can simply be selected using a slide switch.



BEST QUALITY OF LIGHT

BIOLUX HCL TW ZIGBEE DOWNLIGHT GEN 2

LIGHT AS YOU NEED IT

The new downlight features outstanding lighting quality, excellent colour rendering and homogeneous illumination. Thanks to Tunable White (2700K–6500K), the light colour can be selected to suit the respective work situation. Using a suitable control unit the HCL function dynamically adjusts the lighting to natural changes in daylight. With its high colour rendering, $UGR \leq 19$ and flicker-free light, it meets the highest requirements for use in offices as well as educational and care facilities.

- + **Maximum quality of light:** $CRI \geq 90$, $UGR \leq 19$, $SDCM \leq 3$
- + **Tunable White & HCL ready:** adjustable colour temperature (2700K–6500K) or biologically effective light
- + **Lighting control:** IoT ready, Zigbee 3.0 compatible, possible sensor integration



TWO OPTIONS: WITH VIVARES LIGHT MANAGEMENT

HUMAN CENTRIC LIGHTING – THE LIGHT FOR MORE WELL-BEING

The BIOLUX HCL CONTROL UNIT S ZB controls the simulation of a natural daylight curve on the basis of Zigbee 3.0, creating positive biological effects.



LEDVANCE BIOLUX
Human Centric Lighting
Zigbee system



TUNABLE WHITE – PERSONALISED LIGHT

Tunable White (TW) supports flexible adjustment of the colour temperature from 2700K to 6500K – for tailor-made light to suit the activity or time of day.



Recommended Zigbee 3.0
controller: VIVARES
ZIGBEE CONTROL

¹ Refer to www.ledvance.com/guarantee for precise conditions



DOWNLIGHT COMFORT GEN 2

ONE RANGE FOR MAXIMUM LIGHTING QUALITY

The new DOWNLIGHT COMFORT GEN 2 family combines high lighting quality, flexibility and efficiency in a comprehensive portfolio for different requirements. It includes $UGR \leq 19$ versions for glare-free office lighting and opal versions for hallways and general areas. IoT-ready DALI-2 types are also available. Its MULTI LUMEN and MULTI COLOUR functions enable the light to be adapted to suit individual needs.

- + **MULTI SELECT:** 3-step MULTI LUMEN and MULTI COLOUR (3 000 K/4 000 K)
- + **Outstanding efficiency:** up to 120 lm/W with SDCM ≤ 3 and a lifetime of up to 70 000 h (L80)
- + **Various options:** four ceiling cut-outs (100, 150, 200, 250 mm), opal or $UGR \leq 19$ luminaires, DALI-2 and emergency light option (EL)

MAXIMUM FLEXIBILITY WITH OPTIONAL ACCESSORIES

Ceiling mounting frames and replaceable front bezels in different sizes and colours ensure harmonious integration in any environment.



BROAD CHOICE



IP44

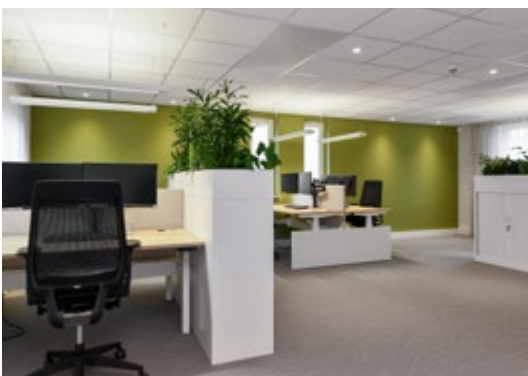
CRI 90



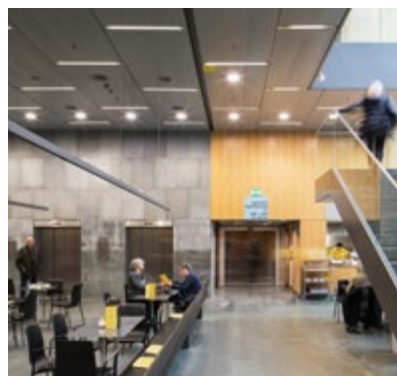
DALI-2

COMING SOON:
Zigbee types in autumn 2025

TWO LIGHTING SOLUTIONS, ONE PRODUCT FAMILY



High-precision lighting for concentrated work: $UGR \leq 19$ downlights with beam angles from 55° to 60° provide glare-free lighting in modern working environments.



Efficient illumination for orientation and atmosphere: opal downlights with beam angles from 95° to 100° provide economical and pleasant lighting for hallways, foyers and stairwells.





DOWNLIGHT SLIM ALU GEN 2

POWERFUL AND VERSATILE
MODERNISATION



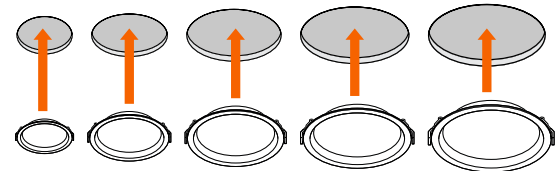
The new DOWNLIGHT SLIM ALU generation offers ultra-slim design, high efficiency and flexible installation options. It also includes IoT-ready DALI-2 versions. Thanks to the MULTI LUMEN and MULTI COLOUR functions, it adapts perfectly to different requirements. This new downlight generation provides optimal solutions for modernisations, renovations and new buildings.

- +** **MULTI SELECT:** individual adjustment of luminous flux (50/75/100 %) and colour temperature (3 000 K/4 000 K)
- +** **High efficiency:** up to 100 lm/W for energy-optimised lighting
- +** **Versatile options:** five ceiling cut-outs, DALI-2 and emergency light option (EL), optional mounting frame



FIVE SIZES – ONE SOLUTION

The DOWNLIGHT SLIM ALU GEN 2 is available in five cut-out sizes (100, 150, 175, 200 and 280 mm) and fits into a wide range of existing ceiling cut-outs. Its optional mounting frame makes it a flexible solution for different requirements.



IDEAL SOLUTION FOR MODERNISATIONS



ANY QUESTIONS? TALK TO US.

Are you interested in our services for your projects? Our project business experts are happy to advise you.

You can reach us at:
contact@ledvance.com
+49 89 780673-600



Whether it's hallways, stairwells or educational facilities, the DOWNLIGHT SLIM ALU GEN 2 is ideal for any modernisation. Thanks to its optional mounting frame and adjustable light colour and luminous flux, it enables precise lighting for existing ceiling cut-outs.

DOWNLIGHT UNIVERSAL

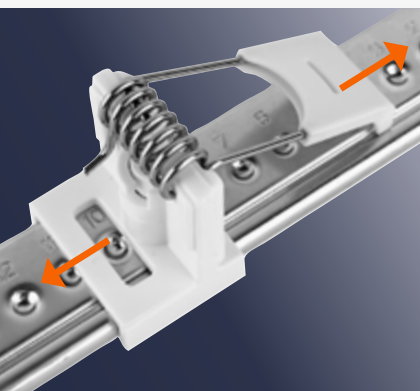
MODERNISATION MADE EASY

Thanks to the new DOWNLIGHT UNIVERSAL luminaires from LEDVANCE, high-quality lighting modernisation is now even easier. They come in two sizes that combine optimal lighting quality with maximum flexibility during installation – whether in meeting rooms, schools or in hotels and restaurants. With a high efficacy of up to 130 lm/W and a long service life of 50 000 hours (L80), they offer a reliable and energy-efficient solution. Versions with DALI-compatible external drivers are available, as well as models equipped with daylight and presence sensors for enhanced control and energy savings.

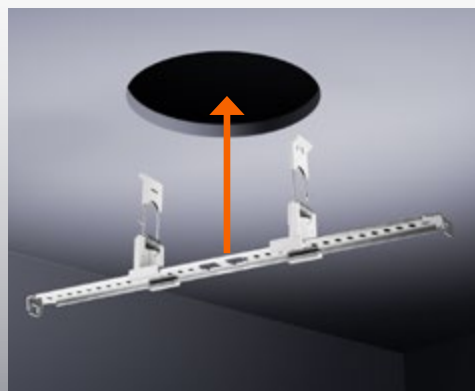
- + **MULTI CUT-OUT FUNCTION:** adjustable springs for various ceiling cut-outs; 65 – 185 mm (200-mm version) or 65 – 260 mm (300-mm version)
- + **EQUIPPED** for semi-recessed mounting and surface mounting
- + **MULTI SELECT:** individual adjustment of luminous flux (in two steps) and colour temperature (3 000 K/4 000 K)



SEMI-RECESSED MOUNTING WITH ADJUSTABLE SPRINGS



Adjustable springs to fit the ceiling cut-out.



Fold up the springs and snap them into the cut-out.



Attach the luminaire using the safety wire, connect it to the power supply and snap it into the rail.

- 1 QUICK INSTALLATION:**
Tool-free, loop-in/loop-out wiring for semi-recessed mounting
- 2 SAFETY WIRE:**
Preventing dislodgement
- 3 ADJUSTABLE:**
Mounting springs for cut-out sizes \varnothing 65 – 260 mm
- 4 MULTI COLOUR SWITCH:**
CCT changeable as an option
- 5 MULTI LUMEN SWITCH:**
Selectable luminous flux steps
- 6 SENSOR VERSIONS** available



ALWAYS A PERFECT FIT

The magnetic frames in black or brushed nickel can be easily attached to the luminaire.



SEE FOR YOURSELF!

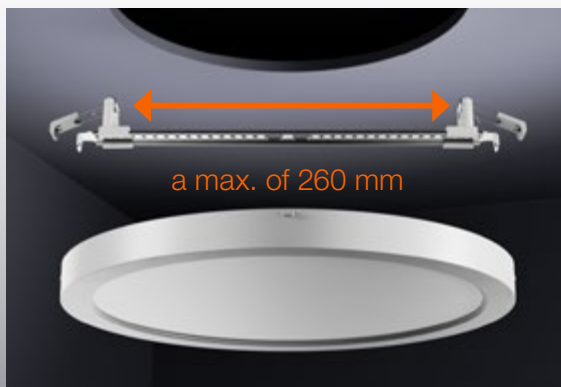
Just scan this QR code and check out the video:



DOWNLIGHT UNIVERSAL - The perfect fit



FLEXIBLE MOUNTING FOR REFURBISHMENT PROJECTS



SEMI-RECESSED INSTALLATION
Adjustable springs fit ceiling cut-outs:
65–185 mm (\varnothing 200 mm) and 65–260 mm (\varnothing 300 mm).



SURFACE-MOUNTED INSTALLATION
For ceilings without cut-outs: remove springs and mount rail directly. For On/Off and sensor versions only.

BIOLUX HCL DOWNLIGHT ZIGBEE GEN 2

SUPERIOR CLASS



1

Product name	EAN (GTIN)	Replacement for	W	lm	lm/W		K	L70 ¹		L x W x H [mm] Ø x H [mm]							
BIOLUX HCL DOWNLIGHT ZIGBEE GEN 2																	
BIOLUX HCL DL DN150 S 20W TW ZB	4058075 724600	2 × 26W CFL-ni	20	2100	105	✓	2700...6500	50000	60	175 × 99	1						

DOWNLIGHT COMFORT

PERFORMANCE CLASS



1

2

3

4

5

6

7

8

Product name	EAN (GTIN)	Replacement for	W	lm	lm/W		K	L70 ¹		L x W x H [mm] Ø x H [mm]			
DOWNLIGHT COMFORT OPAL													
DL CMFT D100 P 13W MS 940 OP WT	4099854 490842	1 × 24W CFL-ni	13/10/7	1430/1100/770	110	—	3000/4000	100000	95	116 × 48	1		
DL CMFT D150 P 18W MS 940 OP WT	4099854 490941	1 × 26W CFL-ni	18/15/12	2160/1800/1440	120	—	3000/4000	100000	95	160 × 57	2		
DL CMFT D200 P 30W MS 940 OP WT	4099854 490989	2 × 26W CFL-ni	30/25/20	3600/3000/2400	120	—	3000/4000	100000	100	215 × 59	3		
DL CMFT D250 P 42W MS 940 OP WT	4099854 491047	2 × 32W CFL-ni	42/36/30	5000/4200/3600	120	—	3000/4000	100000	100	265 × 60	4		
DOWNLIGHT COMFORT DALI OPAL													
DL CMFT DA D100 P 13W MS 940 OP WT	4099854 490866	1 × 24W CFL-ni	13/10/7	1430/1100/770	110	✓	3000/4000	100000	95	116 × 48	1		
DL CMFT DA D150 P 18W MS 940 OP WT	4099854 490965	1 × 26W CFL-ni	18/15/12	2160/1800/1440	120	✓	3000/4000	100000	95	160 × 57	2		
DL CMFT DA D200 P 30W MS 940 OP WT	4099854 491009	2 × 26W CFL-ni	30/25/20	3600/3000/2400	120	✓	3000/4000	100000	100	215 × 59	3		
DL CMFT DA D250 P 42W MS 940 OP WT	4099854 491061	2 × 32W CFL-ni	42/36/30	5000/4200/3600	120	✓	3000/4000	100000	100	265 × 60	4		
DOWNLIGHT COMFORT UGR19													
DL CMFT D100 P 13W MS 940 U19 WT	4099854 490903	1 × 24W CFL-ni	13/10/7	1430/1100/770	110	—	3000/4000	100000	55	116 × 65	5		
DL CMFT D150 P 18W MS 940 U19 WT	4099854 491085	1 × 26W CFL-ni	18/15/12	2160/1800/1440	120	—	3000/4000	100000	55	160 × 92	6		
DL CMFT D200 P 30W MS 940 U19 WT	4099854 491122	2 × 26W CFL-ni	30/25/20	3600/3000/2400	120	—	3000/4000	100000	55	215 × 117	7		
DL CMFT D250 P 42W MS 940 U19 WT	4099854 491160	2 × 32W CFL-ni	42/36/30	5000/4200/3600	120	—	3000/4000	100000	60	265 × 124	8		
DOWNLIGHT COMFORT DALI UGR19													
DL CMFT DA D100 P 13W MS 940 U19 WT	4099854 490927	1 × 24W CFL-ni	13/10/7	1430/1100/770	110	✓	3000/4000	100000	55	116 × 65	5		
DL CMFT DA D150 P 18W MS 940 U19 WT	4099854 491108	1 × 26W CFL-ni	18/15/12	2160/1800/1440	120	✓	3000/4000	100000	55	160 × 92	6		
DL CMFT DA D200 P 30W MS 940 U19 WT	4099854 491146	2 × 26W CFL-ni	30/25/20	3600/3000/2400	120	✓	3000/4000	100000	55	215 × 117	7		
DL CMFT DA D250 P 42W MS 940 U19 WT	4099854 491184	2 × 32W CFL-ni	42/36/30	5000/4200/3600	120	✓	3000/4000	100000	60	265 × 124	8		



IoT = Internet of Things. Supports data transfer via gateway to cloud-based monitoring platforms, such as LEDVANCE VIVARES Cloud.

¹ t[h]: L70/B50 @ 25 °C (T_a) / t[h]: L80/B10 @ 25 °C (T_a)

² Refer to www.ledvance.com/guarantee for precise conditions

DOWNLIGHT SLIM ALU FRAME



Product name	EAN (GTIN)	COLOR	MATERIAL	L × W × H [mm] Ø × H [mm]	NO.
--------------	------------	-------	----------	------------------------------	-----

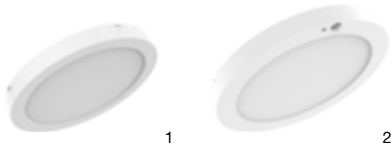
DOWNLIGHT SLIM ALU FRAME

DL SLIM ALU FRAME D150 WT	4099854 475986	White	Aluminum	160 × 45	1
DL SLIM ALU FRAME D175 WT	4099854 476006	White	Aluminum	185 × 45	2
DL SLIM ALU FRAME D205 WT	4099854 476037	White	Aluminum	215 × 45	3
DL SLIM ALU FRAME D280 WT	4099854 476051	White	Aluminum	290 × 45	4



DOWNLIGHT UNIVERSAL

VALUE CLASS



Product name	EAN (GTIN)	Replacement for	W	lm	lm/W		K	L70 ¹		L x W x H [mm] Ø x H [mm]	
DOWNLIGHT UNIVERSAL											
DL UNIV D200 V 18W ML 83040 WT	4099854 541094	2 x 18 W CFL-ni	18/9	2420/2300/1260/1200	135/130/140	—	3000/4000	100000	110	217 x 22	1
DL UNIV D300 V 23W ML 83040 WT	4099854 541155	1 x 55 W CFL-ni	23/15	3200/3050/2180/2050	140/135/145	—	3000/4000	100000	110	290 x 22	1
DOWNLIGHT UNIVERSAL DALI											
DL UNIV DA D200 V 18W ML 83040 WT	4099854 541339	2 x 18 W CFL-ni	18/9	2350/2250/1200/1150	130/125/135	✓	3000/4000	100000	110	217 x 22	1
DL UNIV DA D300 V 22W ML 83040 WT	4099854 541377	1 x 55 W CFL-ni	22/15	3000/2850/2100/2020	135/130/140	✓	3000/4000	100000	110	290 x 22	1
DOWNLIGHT UNIVERSAL SENSOR											
DL UNIV SN D200 V 18W ML 83040 WT	4099854 541414	2 x 18 W CFL-ni	18/9	2300/2220/1180/1150	130/125/135	—	3000/4000	100000	110	227 x 22	2
DL UNIV SN D300 V 23W ML 83040 WT	4099854 541438	1 x 55 W CFL-ni	23/11	3200/3100/1600/1550	140/135/145	—	3000/4000	100000	110	300 x 22	2

EXCHANGEABLE DECORATIVE RINGS FOR DOWNLIGHT UNIVERSAL LUMINAIRES



Product name	EAN (GTIN)	COLOR	MATERIAL	L x W x H [mm] Ø x H [mm]	
DOWNLIGHT UNIVERSAL RINGS					
DL UNIV RING D200 BK	4099854 541452	Black	Steel	228 x 22	1
DL UNIV RING D200 BN	4099854 541476	Brushed nickel	Steel	228 x 22	2
DL UNIV RING D300 BK	4099854 541537	Black	Steel	301 x 22	3
DL UNIV RING D300 BN	4099854 541612	Brushed nickel	Steel	301 x 22	4
DOWNLIGHT UNIVERSAL SENSOR RINGS					
DL UNIV SN RING D200 BK	4099854 559457	Black	Steel	229 x 22	5
DL UNIV SN RING D200 BN	4099854 559471	Brushed nickel	Steel	229 x 22	6
DL UNIV SN RING D300 BK	4099854 559495	Black	Steel	302 x 22	7
DL UNIV SN RING D300 BN	4099854 559518	Brushed nickel	Steel	302 x 22	8

IoT = Internet of Things. Supports data transfer via gateway to cloud-based monitoring platforms, such as LEDVANCE VIVARES Cloud.

¹ t[h]: L70/B50 @ 25 °C (T_a)/t[h]: L80/B10 @ 25 °C (T_a)
² Refer to www.ledvance.com/guarantee for precise conditions

ABOUT LEDVANCE

With business activities in over 140 countries, LEDVANCE is one of the world's leading general lighting companies. Emerging from OSRAM's general lighting division, LEDVANCE's portfolio includes LED lamps and luminaires, intelligent lighting products, traditional lamps and renewable energy solutions.

#POWERTHROUGHLIGHT



LEDVANCE

LEDVANCE GmbH
Parkring 1–5
85748 Garching
Germany

[LEDVANCE.COM](https://www.ledvance.com)