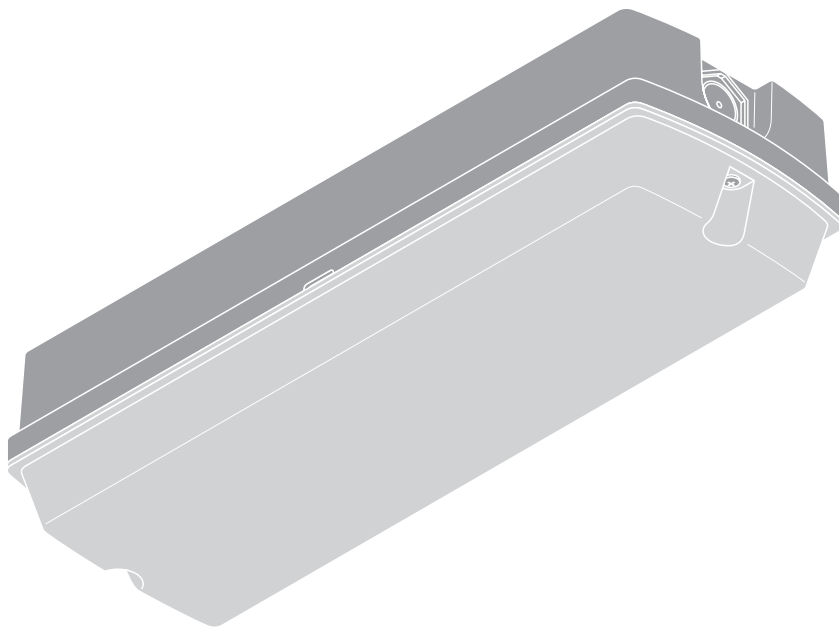


# BULKHEAD COMPACT BULKHEAD COMPACT SENSOR



LEDVANCE



	EAN	l x w x h [mm]	W	V <sub>AC</sub>	Hz	lm	lm/W	K
BLKH COMP RC V 8W ML 83040 BK	4099854290480	356x115x80	8*	220-240V	50/60	840*	105*	3000/4000
BLKH COMP RC V 8W ML 83040 WT	4099854290503	356x115x80	8*	220-240V	50/60	840*	105*	3000/4000
BLKH COMP RC SN V 9W ML 83040 BK	4099854290527	356x115x80	9*	220-240V	50/60	840*	93*	3000/4000
BLKH COMP RC SN V 9W ML 83040 WT	4099854290602	356x115x80	9*	220-240V	50/60	840*	93*	3000/4000

	EAN	IP	IK	∇	R <sub>a</sub>	⌀ (°C)	PF	👤
BLKH COMP RC V 8W ML 83040 BK	4099854290480	65	10	125°	> 80	-20...+45	0.7	0.5 kg
BLKH COMP RC V 8W ML 83040 WT	4099854290503	65	10	125°	> 80	-20...+45	0.7	0.5 kg
BLKH COMP RC SN V 9W ML 83040 BK	4099854290527	65	10	125°	> 80	-20...+45	0.5	0.6 kg
BLKH COMP RC SN V 9W ML 83040 WT	4099854290602	65	10	125°	> 80	-20...+45	0.5	0.6 kg

\*

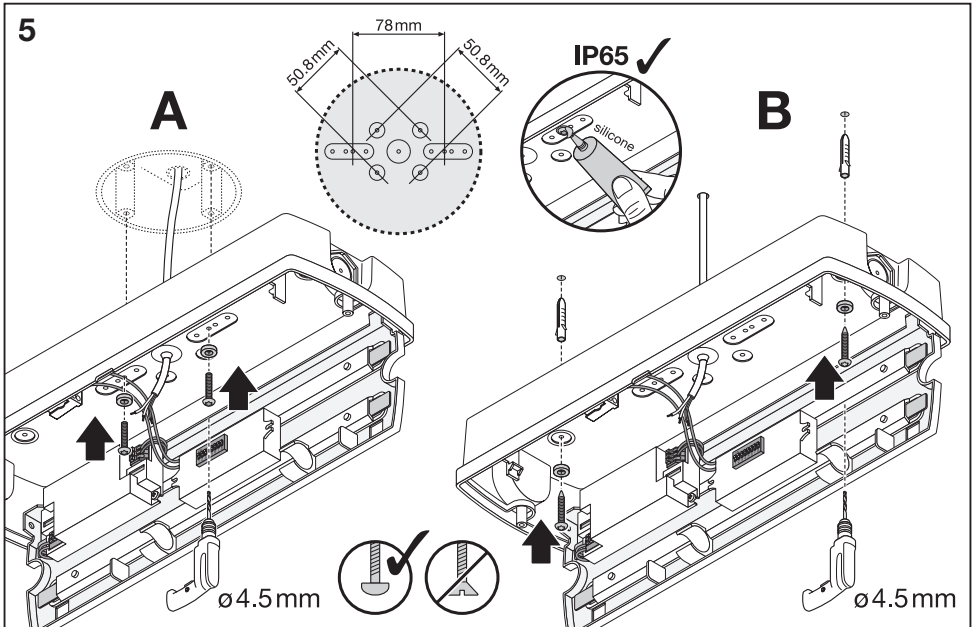
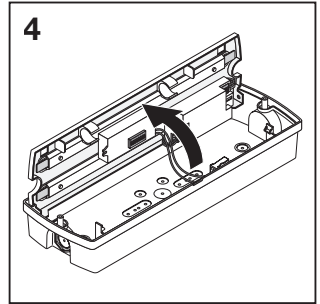
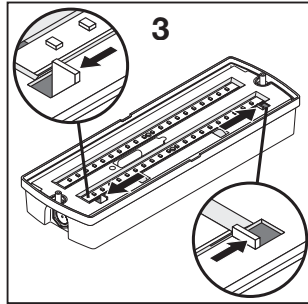
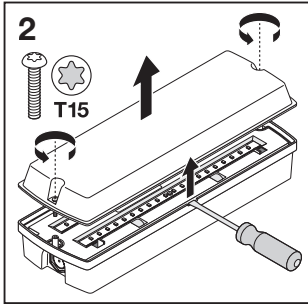
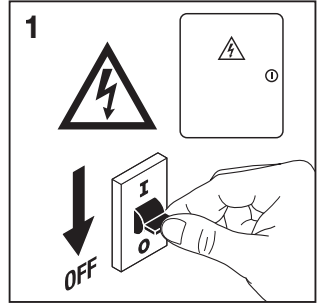
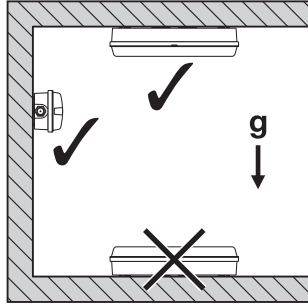
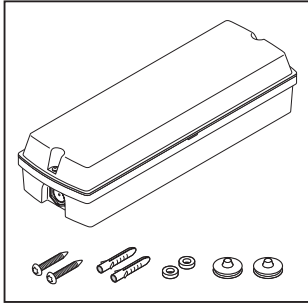
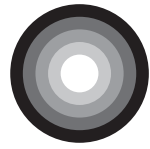
BLKH COMP RC						
W	8		6		4	
T	4000	3000	4000	3000	4000	3000
lm	840	800	690	660	500	500
lm/W	105	100	115	110	125	125

\*

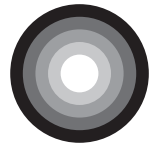
BLKH COMP RC SN						
W	9		7		5	
T	4000	3000	4000	3000	4000	3000
lm	840	800	690	660	500	500
lm/W	93	88	98	94	100	100

# BULKHEAD COMPACT

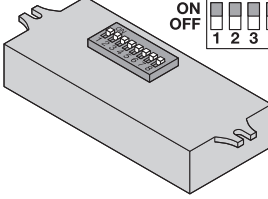
## BULKHEAD COMPACT SENSOR



# BULKHEAD COMPACT BULKHEAD COMPACT SENSOR



## BULKHEAD COMPACT SENSOR

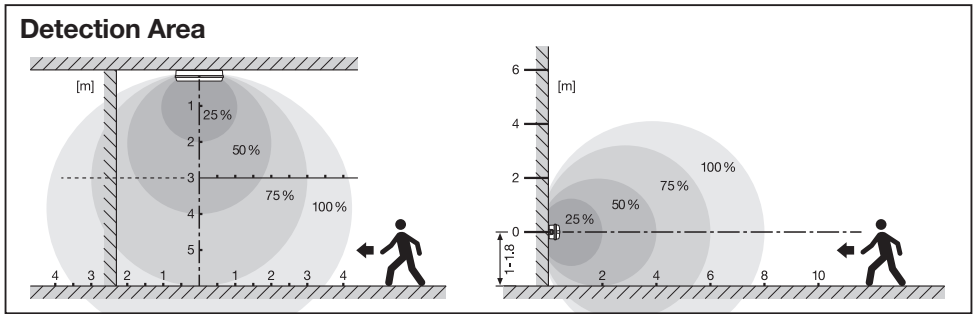


**ON OFF** 1 2 3 4 5 6 7 8

Daylight Sensor			Hold Time			Detection Area		
1	2	3	4	5	6	7	8	
ON	ON	ON	ON	ON	ON	ON	ON	100 %
-	ON	ON	ON	ON	-	ON	-	75 %
-	ON	-	ON	-	ON	-	ON	50 %
-	-	ON	ON	-	-	-	-	25 %
-	-	-	ON	ON	ON	-	-	
-	-	-	-	-	-	-	-	

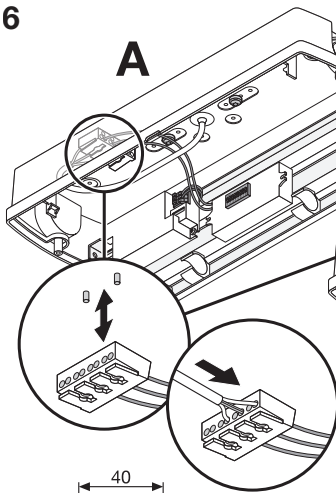
Daylight Sensor			Hold Time			Detection Area		
1	2	3	4	5	6	7	8	
ON	ON	ON	ON	ON	ON	ON	ON	100 %
-	ON	ON	ON	ON	-	ON	-	75 %
-	ON	-	ON	-	ON	-	ON	50 %
-	-	ON	ON	-	-	-	-	25 %
-	-	-	ON	ON	ON	-	-	
-	-	-	-	-	-	-	-	

Daylight Sensor			Hold Time			Detection Area		
1	2	3	4	5	6	7	8	
ON	ON	ON	ON	ON	ON	ON	ON	100 %
-	ON	ON	ON	ON	-	ON	-	75 %
-	ON	-	ON	-	ON	-	ON	50 %
-	-	ON	ON	-	-	-	-	25 %
-	-	-	ON	ON	ON	-	-	
-	-	-	-	-	-	-	-	



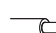


### 6

#### A

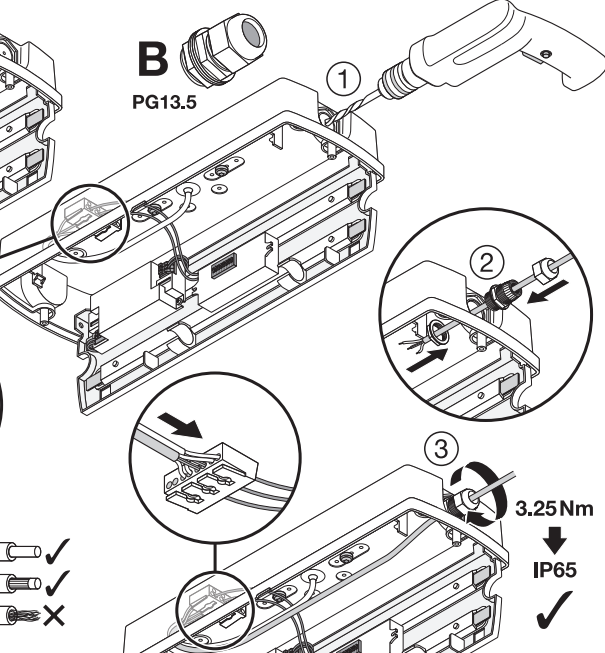


Terminal block dimensions: 40mm total width, 30mm between terminals. Wire diameter:  $\phi 6-13$ . Wire cross-section:  $0.5-2.5\text{mm}^2$ . Terminal pitch:  $12^{+1}$ mm.

Terminal block labels: N, E, L, L1.

Wiring examples:  ✓,  ✓,  ✗

#### B



PG13.5

Step 1: Tighten screw (1) with torque wrench.

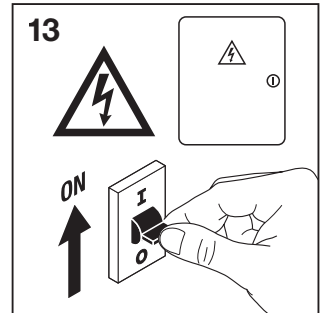
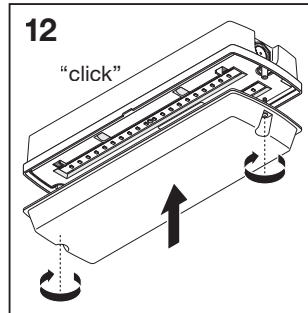
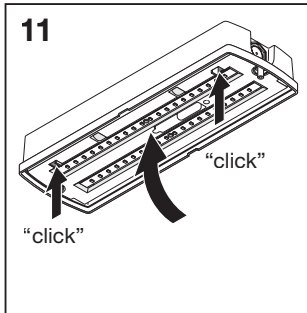
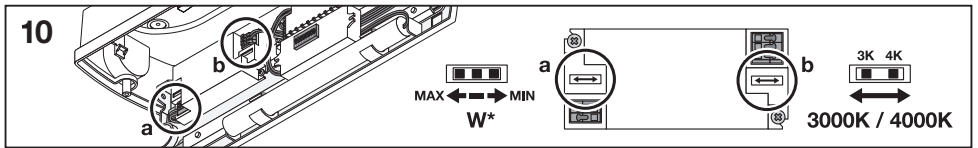
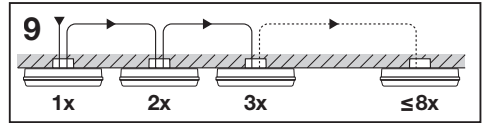
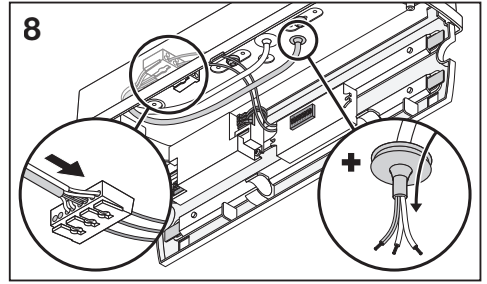
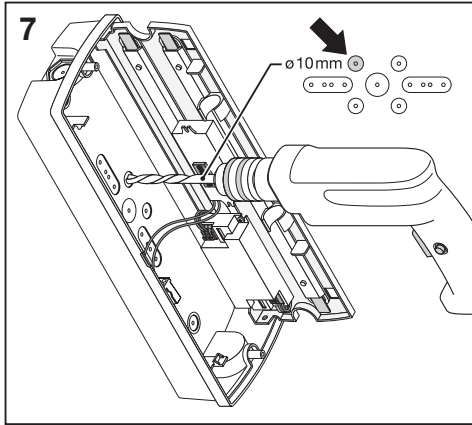
Step 2: Tighten screw (2) with torque wrench.

Step 3: Tighten screw (3) with torque wrench.

Tightening torque: 3.25 Nm

IP65

✓



	B16	B10	C16	C10
BLKH COMP RC V 8W ML 83040 BK/WT	104	83	140	87
BLKH COMP RC SN V 9W ML 83040 BK/WT				



LEDVANCE SASU  
CQM, 5 rue d'Altorf  
67120 Molshem France  
[www.ledvance.com](http://www.ledvance.com)

C10449057  
G11256084  
08.10.25

© LEDVANCE Ltd, Sterling House,  
810 Mandarin Court, Warrington,  
Cheshire, WA1 1GG, United Kingdom