

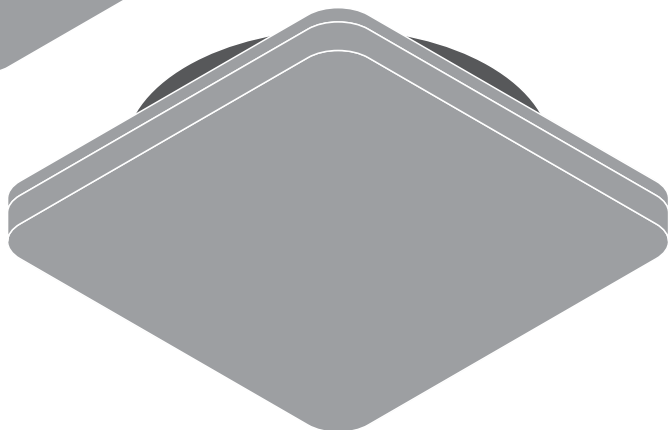
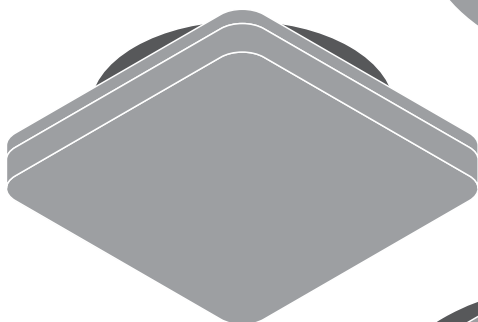
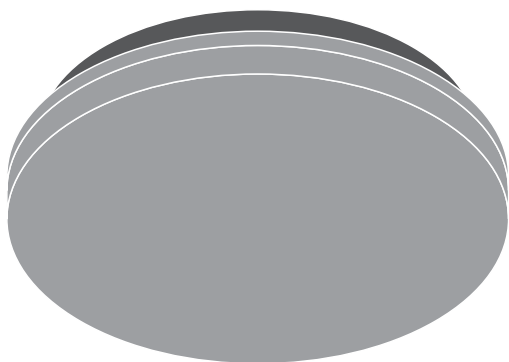
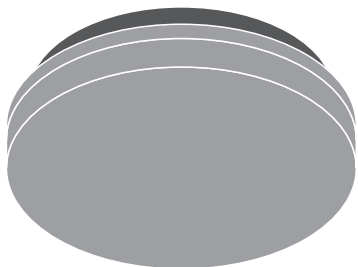
---

**SURFACE FLAT**  
**SURFACE FLAT SENSOR**  
**SURFACE FLAT DALI**

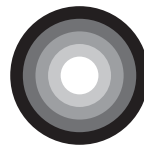
---



**LEDVANCE**



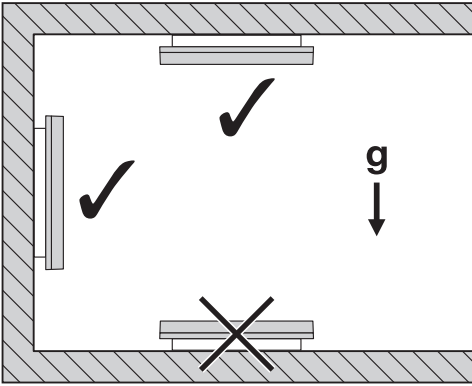
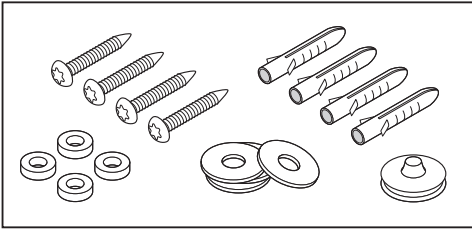
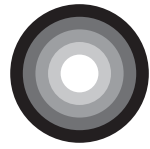
# SURFACE FLAT



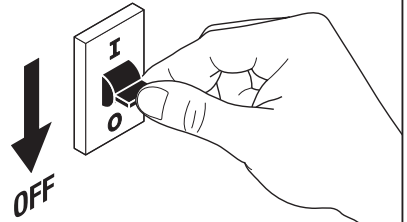
	EAN	lxwxh [mm]	4000K		3000K		VAC / VDC
SF FLAT RD 330 P 19W ML 83040	4099854292378	330x65	19W* 2660lm 140lm/W	12W* 1660lm 138lm/W	19W* 2490lm 131lm/W	12W* 1560lm 130lm/W	220-240V
SF FLAT SQ 330 P 19W ML 83040	4099854292491	330x330x65					220-240V
SF FLAT RD SN 330 P 19W ML 83040	4099854292699	330x65					220-240V
SF FLAT SQ SN 330 P 19W ML 83040	4099854292712	330x330x65					220-240V
SF FLAT RD 500 P 27W ML 83040	4099854292552	500x71	27W* 3780lm 140lm/W	19W* 2660lm 133lm/W	27W* 3600lm 133lm/W	19W* 2530lm 133lm/W	220-240V
SF FLAT SQ 500 P 27W ML 83040	4099854292675	500x500x71					220-240V
SF FLAT RD SN 500 P 27W ML 83040	4099854292736	500x71					220-240V
SF FLAT SQ SN 500 P 27W ML 83040	4099854292750	500x500x71					220-240V
SF FLAT RD DA 500 P 27W 83040*	4099854292774	500x71	27W 3780lm 140lm/W	-	27W 3600lm 133lm/W	-	220-240V
SF FLAT SQ DA 500 P 27W 83040*	4099854292798	500x500x71					220-240V

	EAN	Hz	IP	IK	∠	R <sub>a</sub>	° (°C)	PF	👤
SF FLAT RD 330 P 19W ML 83040	4099854292378	50/60 Hz	54	IK08	120°	>80	-20...+45	>0.9	1.4 kg
SF FLAT SQ 330 P 19W ML 83040	4099854292491	50/60 Hz	54	IK08	120°	>80	-20...+45	>0.9	1.5 kg
SF FLAT RD SN 330 P 19W ML 83040	4099854292699	50/60 Hz	54	IK08	120°	>80	-20...+45	>0.9	1.4 kg
SF FLAT SQ SN 330 P 19W ML 83040	4099854292712	50/60 Hz	54	IK08	120°	>80	-20...+45	>0.9	1.6 kg
SF FLAT RD 500 P 27W ML 83040	4099854292552	50/60 Hz	54	IK08	120°	>80	-20...+45	>0.9	3.0 kg
SF FLAT SQ 500 P 27W ML 83040	4099854292675	50/60 Hz	54	IK08	120°	>80	-20...+45	>0.9	3.6 kg
SF FLAT RD SN 500 P 27W ML 83040	4099854292736	50/60 Hz	54	IK08	120°	>80	-20...+45	>0.9	3.1 kg
SF FLAT SQ SN 500 P 27W ML 83040	4099854292750	50/60 Hz	54	IK08	120°	>80	-20...+45	>0.9	3.7 kg
SF FLAT RD DA 500 P 27W 83040*	4099854292774	0/50/60 Hz	54	IK08	120°	>80	-20...+45	>0.9	3.1 kg
SF FLAT SQ DA 500 P 27W 83040*	4099854292798	0/50/60 Hz	54	IK08	120°	>80	-20...+45	>0.9	3.7 kg

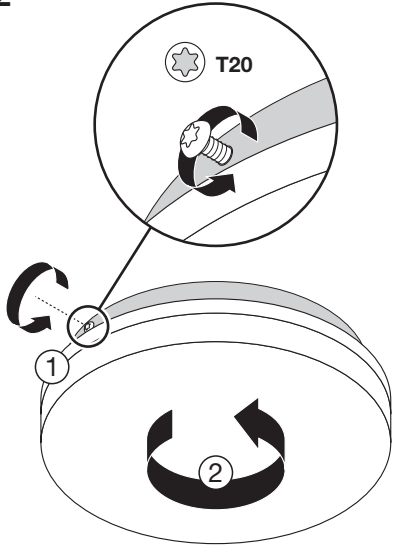
# SURFACE FLAT



1

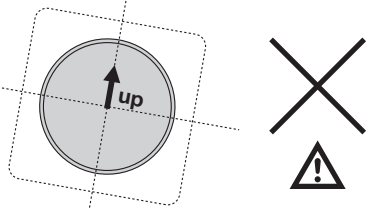
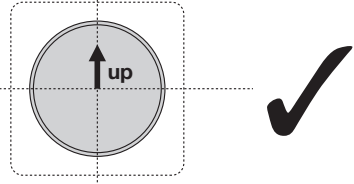


2



3

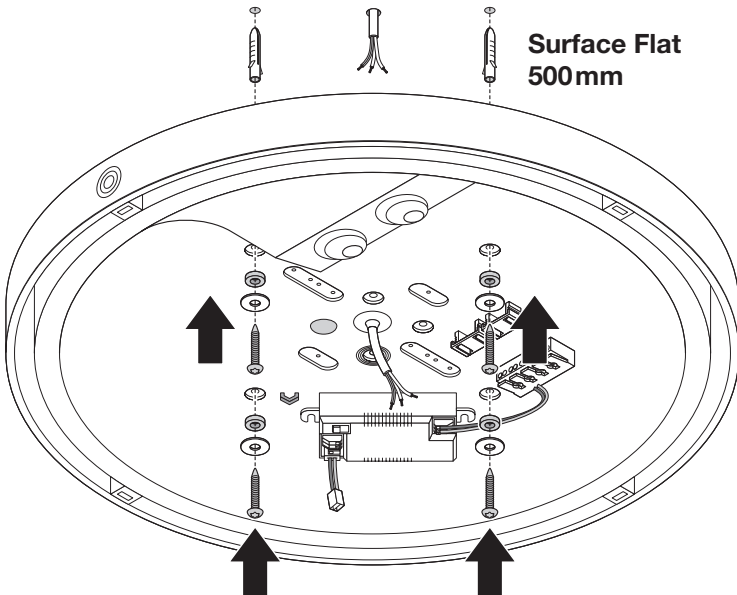
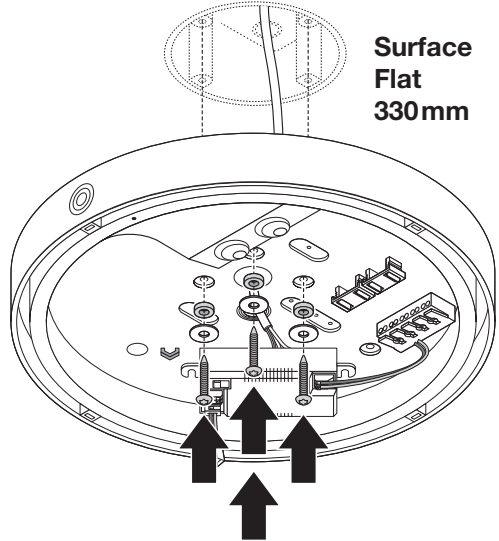
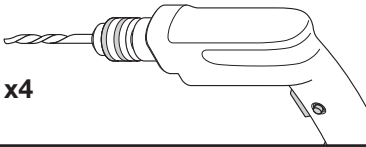
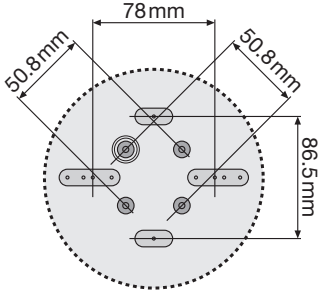
Surface Flat Square



# SURFACE FLAT



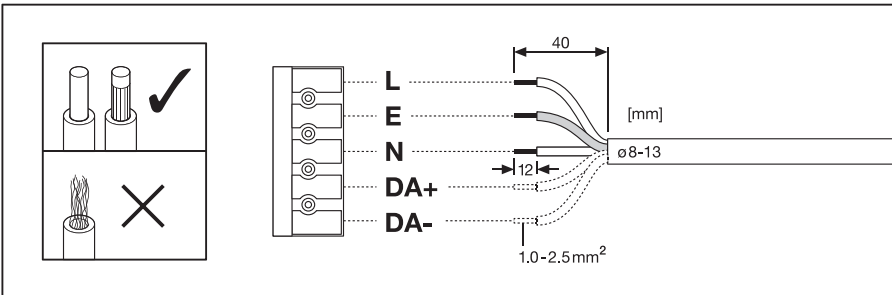
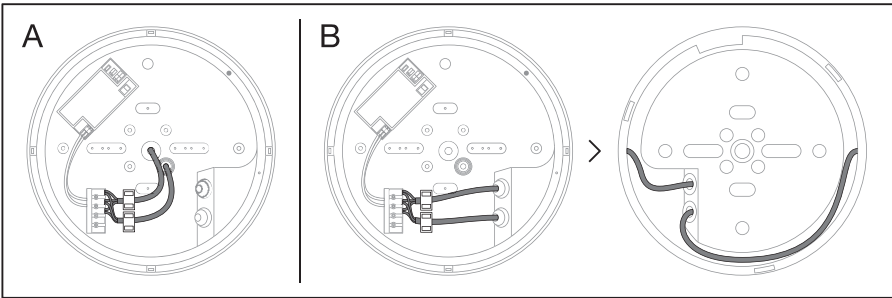
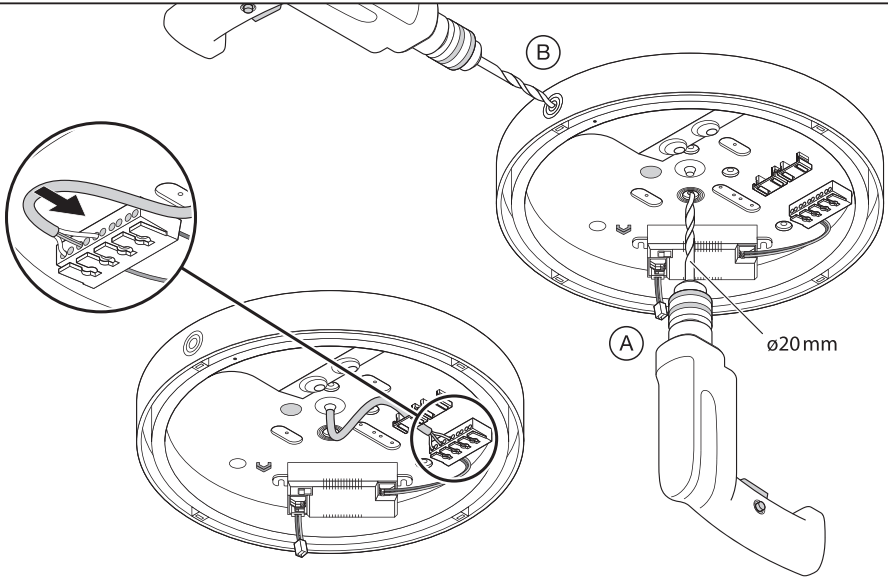
4



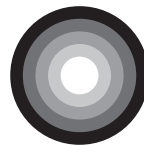
# SURFACE FLAT



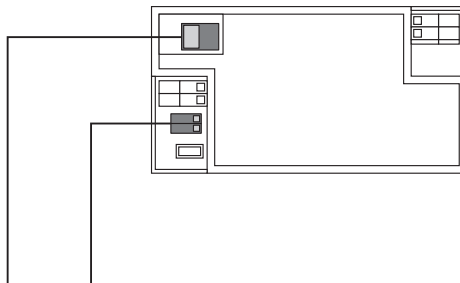
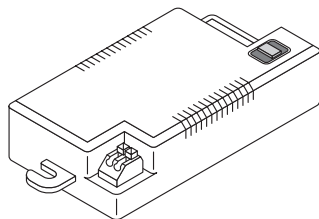
5



# SURFACE FLAT



6

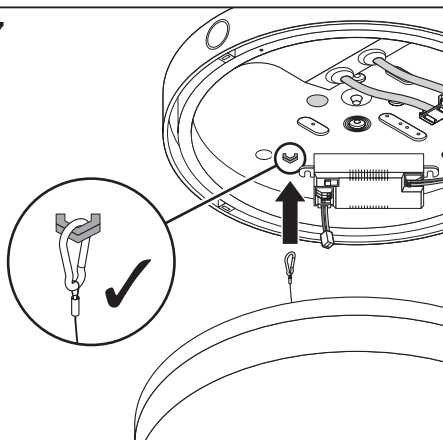


\*

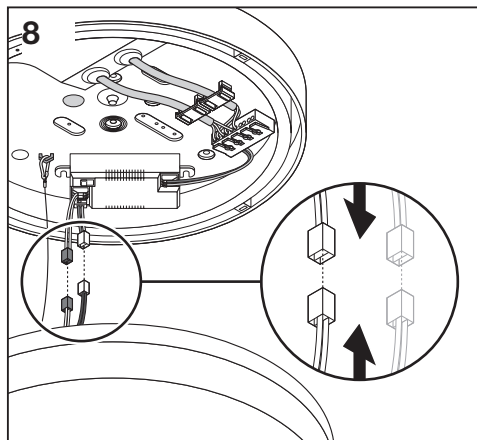
SF FLAT RD / SQ	DRIVER	CCT	W	lm	lm/W	EM W 230V DC	EM lm 230V DC	EM lm/W 230V DC
SF FLAT 330	DR DS SENS- P-19/220-240/450 SF FL EAN 4099854292859	4000 K	19 12	2660 1660	140 138	-	-	-
SF FLAT SEN 330		3000 K	19 12	2490 1560	131 130	-	-	-
SF FLAT 500	DR DS-SENS- P-27/220-240/650 SF FL EAN 4099854292873	4000 K	27 19	3780 2660	140 140	-	-	-
SF FLAT SEN 500		3000 K	27 19	3600 2530	133 133	-	-	-

SF FLAT DALI 500	OTI DALI 50/220...240/1A4 NFC EAN 4062172061889	4000 K	27	3780	140	5.5	510	92
		3000 K	27	3600	133	5.5	500	90

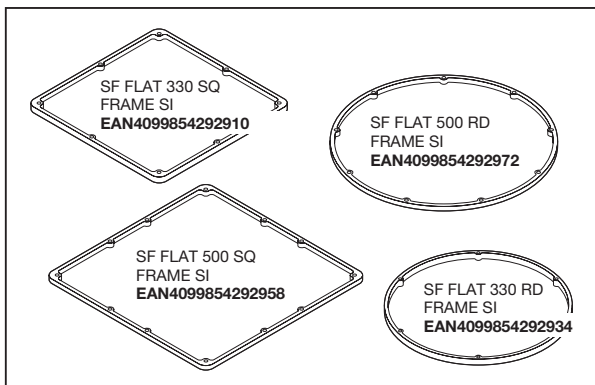
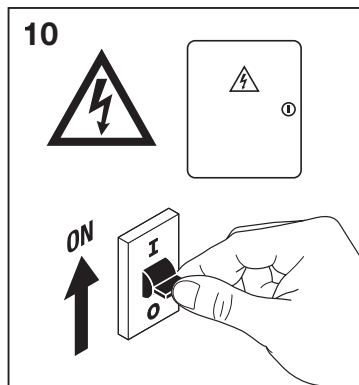
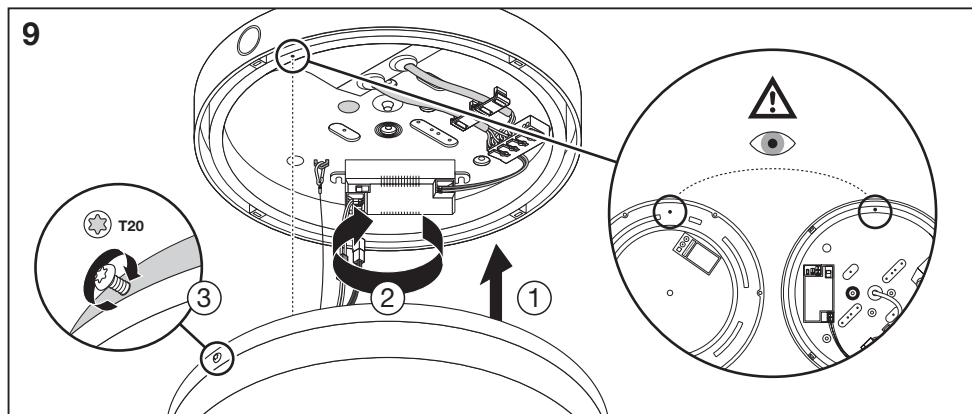
7



8



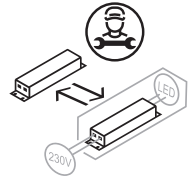
# SURFACE FLAT



	B10	B16	C10	C16	DRIVER	DALI DIM					
1x	n=46	n=57	n=46	n=73	DR DS SENS-P-19/220-240/450 SF FL						
2x					DR DS-SENS-P-27/220-240/650 SF FL						
3x					DR DS SENS-P-19/220-240/450 SF FL						
...					DR DS-SENS-P-27/220-240/650 SF FL						
nx					OSRAM OTI DALI 50/220-240/1A4 NFC						
SF FLAT RD 330 P 19W ML 83040					n=8		n=11	n=10	n=16	OSRAM OTI DALI 50/220-240/1A4 NFC	
SF FLAT SQ 330 P 19W ML 83040											
SF FLAT RD 500 P 27W ML 83040											
SF FLAT SQ 500 P 27W ML 83040											
SF FLAT RD SN 330 P 19W ML 83040											
SF FLAT SQ SN 330 P 19W ML 83040											
SF FLAT RD SN 500 P 27W ML 83040											
SF FLAT SQ SN 500 P 27W ML 83040											
SF FLAT RD DA 500 P 27W 83040	n=8	n=11	n=10	n=16	OSRAM OTI DALI 50/220-240/1A4 NFC						
SF FLAT SQ DA 500 P 27W 83040											



**PAP**  
Raccolta Carta  
Verifica le disposizioni  
del tuo comune.



**FR**  
Cet appareil et  
ses accessoires  
se recyclent

À DÉPOSER  
EN MAGASIN

OU

À DÉPOSER  
EN DÉCHÈTERIE

Points de collecte sur [www.quefairedemesdechets.fr](http://www.quefairedemesdechets.fr)



C10449058  
G11287141

10.04.26

**LEDVANCE SASU**  
CQM, 5 rue d'Altorf  
67120 Molsheim France  
[www.ledvance.com](http://www.ledvance.com)

© LEDVANCE Ltd, Sterling House,  
810 Mandarin Court, Warrington,  
Cheshire, WA1 1GG, United Kingdom