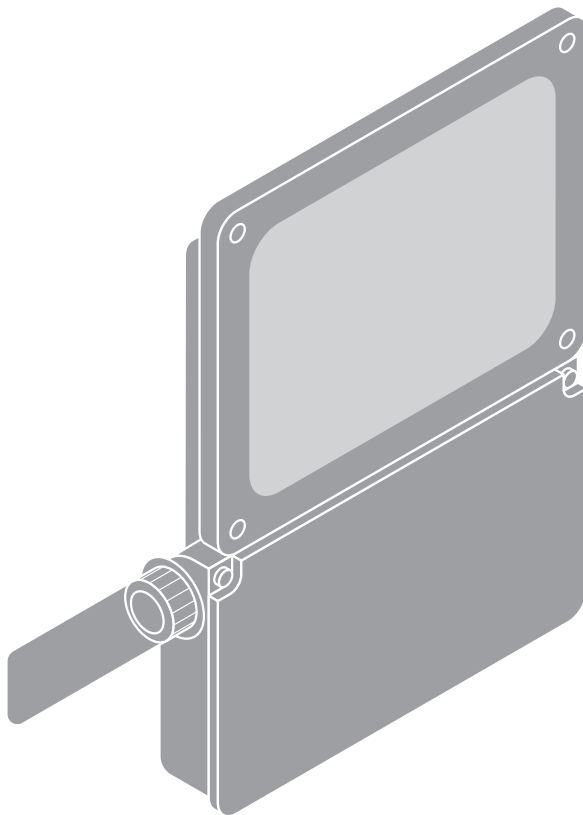


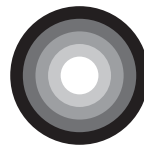
FLOODLIGHT FLEX

LEDVANCE



IP	IK	V _{AC}	R _a	Hz	PF (@100%)	ⓘ (°C)
66	08	220-240V	>80	50/60Hz	>0.9	-30...+50


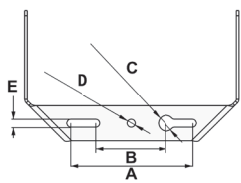
FLOODLIGHT FLEX

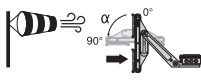



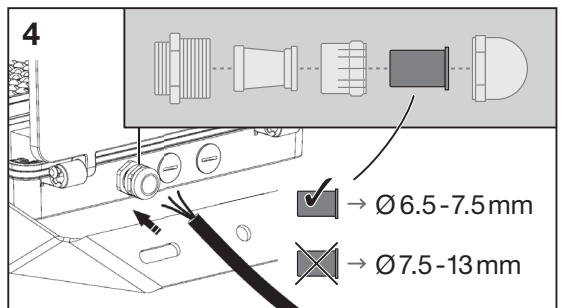
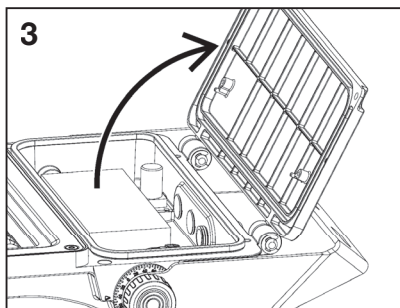
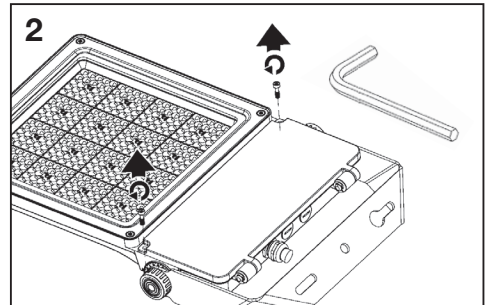
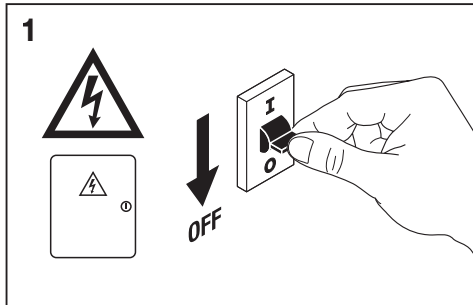
	EAN	∠	👤	l x w x h [mm]	W	lm	lm/W	K
FL FLEX P 40W ML 830 A45X140 WAL	4099854373152	45° x 140°	3.6 kg	406 x 277 x 67	40	5800	145	3000
FL FLEX P 40W ML 830 A55X120 WAL	4099854373176	55° x 120°	3.6 kg	406 x 277 x 67	40	5900	148	3000
FL FLEX P 40W ML 840 A45X140 WAL	4099854373190	45° x 140°	3.6 kg	406 x 277 x 67	40	6100	153	4000
FL FLEX P 40W ML 840 A55X120 WAL	4099854373213	55° x 120°	3.6 kg	406 x 277 x 67	40	6200	155	4000
FL FLEX P 80W ML 830 A45X140 WAL	4099854373237	45° x 140°	4.7 kg	479 x 304 x 67	80	11400	143	3000
FL FLEX P 80W ML 830 A55X120 WAL	4099854373251	55° x 120°	4.7 kg	479 x 304 x 67	80	11500	144	3000
FL FLEX P 80W ML 840 A45X140 WAL	4099854373275	45° x 140°	4.7 kg	479 x 304 x 67	80	12000	150	4000
FL FLEX P 80W ML 840 A55X120 WAL	4099854373282	55° x 120°	4.7 kg	479 x 304 x 67	80	12100	151	4000
FL FLEX P 130W ML 830 A45X140 WAL	4099854373305	45° x 140°	5.9 kg	492 x 361 x 68	130	19000	146	3000
FL FLEX P 130W ML 830 A55X120 WAL	4099854373329	55° x 120°	5.9 kg	492 x 361 x 68	130	19100	147	3000
FL FLEX P 130W ML 830 R60 WAL	4099854373350	60°	5.9 kg	492 x 361 x 68	130	19900	153	3000
FL FLEX P 130W ML 830 R30 WAL	4099854373374	30°	5.9 kg	492 x 361 x 68	130	19900	153	3000
FL FLEX P 130W ML 840 A45X140 WAL	4099854373398	45° x 140°	5.9 kg	492 x 361 x 68	130	19800	152	4000
FL FLEX P 130W ML 840 A55X120 WAL	4099854373411	55° x 120°	5.9 kg	492 x 361 x 68	130	19900	153	4000
FL FLEX P 130W ML 840 R60 WAL	4099854373428	60°	5.9 kg	492 x 361 x 68	130	20800	160	4000
FL FLEX P 130W ML 840 R30 WAL	4099854373442	30°	5.9 kg	492 x 361 x 68	130	20800	160	4000
FL FLEX P 180W ML 830 A45X140 WAL	4099854373466	45° x 140°	6.5 kg	552 x 361 x 68	180	25500	142	3000
FL FLEX P 180W ML 830 A55X120 WAL	4099854373473	55° x 120°	6.5 kg	552 x 361 x 68	180	25700	143	3000
FL FLEX P 180W ML 830 R60 WAL	4099854373480	60°	6.5 kg	552 x 361 x 68	180	27000	150	3000
FL FLEX P 180W ML 830 R30 WAL	4099854373497	30°	6.5 kg	552 x 361 x 68	180	27000	150	3000
FL FLEX P 180W ML 840 A45X140 WAL	4099854373510	45° x 140°	6.5 kg	552 x 361 x 68	180	27500	153	4000
FL FLEX P 180W ML 840 A55X120 WAL	4099854373541	55° x 120°	6.5 kg	552 x 361 x 68	180	27700	154	4000
FL FLEX P 180W ML 840 R60 WAL	4099854373565	60°	6.5 kg	552 x 361 x 68	180	28000	156	4000
FL FLEX P 180W ML 840 R30 WAL	4099854373572	30°	6.5 kg	552 x 361 x 68	180	28000	156	4000
FL FLEX P 250W ML 830 A45X140 WAL	4099854373589	45° x 140°	8.0 kg	627 x 416 x 68	250	37000	148	3000
FL FLEX P 250W ML 830 A55X120 WAL	4099854373596	55° x 120°	8.0 kg	627 x 416 x 68	250	37000	148	3000
FL FLEX P 250W ML 830 R60 WAL	4099854373602	60°	8.0 kg	627 x 416 x 68	250	37500	150	3000
FL FLEX P 250W ML 830 R30 WAL	4099854373619	30°	8.0 kg	627 x 416 x 68	250	37500	150	3000
FL FLEX P 250W ML 840 A45X140 WAL	4099854373633	45° x 140°	8.0 kg	627 x 416 x 68	250	39000	156	4000
FL FLEX P 250W ML 840 A55X120 WAL	4099854373664	55° x 120°	8.0 kg	627 x 416 x 68	250	39000	156	4000
FL FLEX P 250W ML 840 R60 WAL	4099854373688	60°	8.0 kg	627 x 416 x 68	250	39500	158	4000
FL FLEX P 250W ML 840 R30 WAL	4099854373695	30°	8.0 kg	627 x 416 x 68	250	39500	158	4000
FL FLEX P 360W ML 830 A45X140 WAL	4099854373725	45° x 140°	13.8 kg	751 x 480 x 105	360	52000	144	3000
FL FLEX P 360W ML 830 A55X120 WAL	4099854373732	55° x 120°	13.8 kg	751 x 480 x 105	360	52000	144	3000
FL FLEX P 360W ML 830 A60X110 WAL	4099854373763	60° x 110°	13.8 kg	751 x 480 x 105	360	48000	133	3000
FL FLEX P 360W ML 830 R20 WAL	4099854373770	20°	13.8 kg	751 x 480 x 105	360	48500	135	3000
FL FLEX P 360W ML 840 A45X140 WAL	4099854373794	45° x 140°	13.8 kg	751 x 480 x 105	360	56000	156	4000
FL FLEX P 360W ML 840 A55X120 WAL	4099854373800	55° x 120°	13.8 kg	751 x 480 x 105	360	56000	156	4000
FL FLEX P 360W ML 840 A60X110 WAL	4099854373824	60° x 110°	13.8 kg	751 x 480 x 105	360	52000	144	4000
FL FLEX P 360W ML 840 R20 WAL	4099854373848	20°	13.8 kg	751 x 480 x 105	360	52500	146	4000
FL FLEX P 450W ML 830 A45X140 WAL	4099854373862	45° x 140°	15.5 kg	755 x 538 x 105	450	65000	144	3000
FL FLEX P 450W ML 830 A60X110 WAL	4099854373886	60° x 110°	15.5 kg	755 x 538 x 105	450	60000	133	3000
FL FLEX P 450W ML 830 A55X120 WAL	4099854373947	55° x 120°	15.5 kg	755 x 538 x 105	450	65000	144	3000
FL FLEX P 450W ML 830 R20 WAL	4099854373961	20°	15.5 kg	755 x 538 x 105	450	61000	136	3000
FL FLEX P 450W ML 840 A45X140 WAL	4099854373985	45° x 140°	15.5 kg	755 x 538 x 105	450	70000	156	4000
FL FLEX P 450W ML 840 A60X110 WAL	4099854374005	60° x 110°	15.5 kg	755 x 538 x 105	450	65000	144	4000
FL FLEX P 450W ML 840 A55X120 WAL	4099854374029	55° x 120°	15.5 kg	755 x 538 x 105	450	70000	156	4000
FL FLEX P 450W ML 840 R20 WAL	4099854374043	20°	15.5 kg	755 x 538 x 105	450	66000	147	4000
FL FLEX P 80W ML 822 A45X140 WAL	4099854374074	45° x 140°	4.7 kg	479 x 304 x 67	80	8300	104	2200
FL FLEX P 80W ML 822 A55X120 WAL	4099854374081	55° x 120°	4.7 kg	479 x 304 x 67	80	8400	105	2200
FL FLEX P 130W ML 822 R30 WAL	4099854374104	30°	5.9 kg	492 x 361 x 68	130	15000	115	2200

FLOODLIGHT FLEX

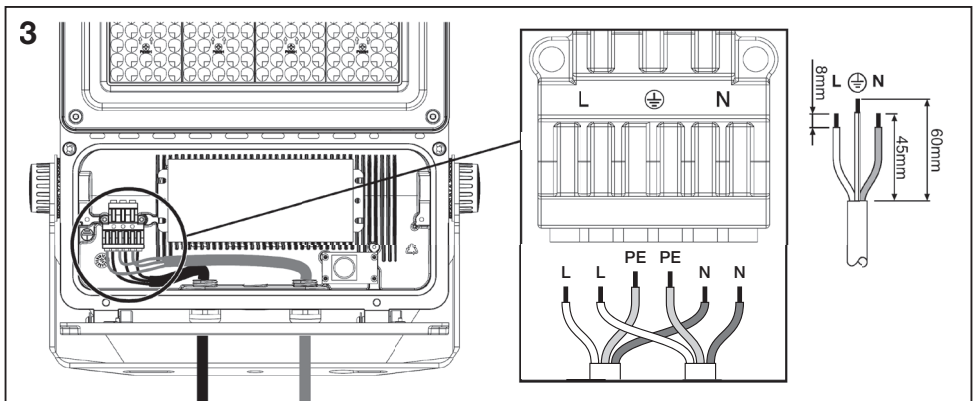
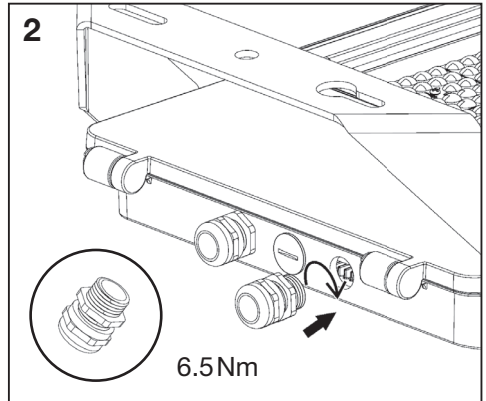
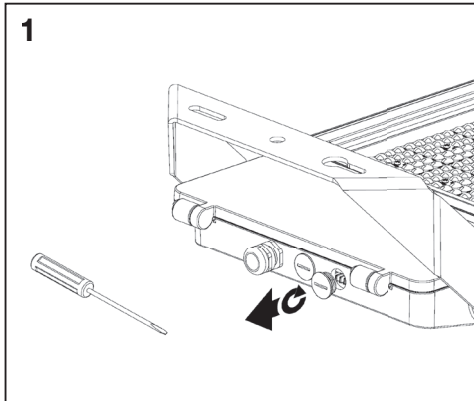
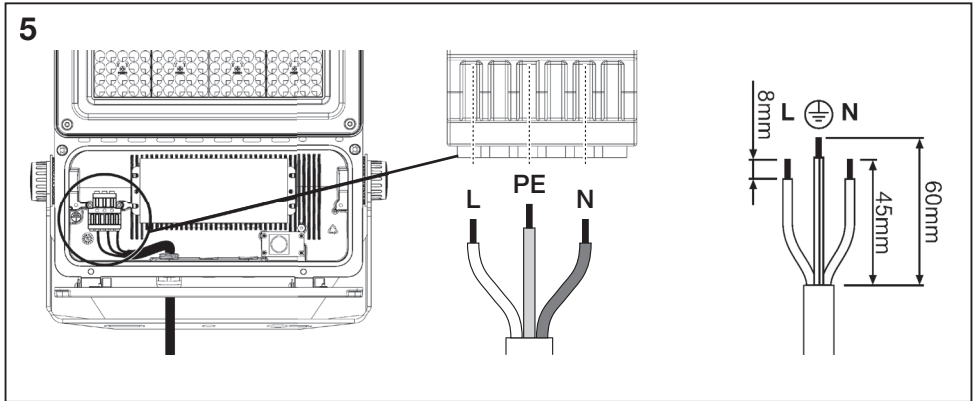


								230 Vac		
		A	B	C	D	E		C10A	B16A	C16A
40W		140	100	18	9	9	2x M8	12	12	20
80W		168	118	22	13	11	2x M10	20	28	32
130W		200	150	22	13	11	2x M10	10	10	17
180W		200	150	22	13	11	2x M10	8	7	12
250W		236	176	22	13	11	2x M10	6	6	10
360W		280	220	27	21	17	2x M16	4	3	6
450W		343	283	27	21	17	2x M16	3	3	5

Model							
	$\alpha = 0^\circ$	$\alpha = 15^\circ$	$\alpha = 30^\circ$	$\alpha = 45^\circ$	$\alpha = 60^\circ$	$\alpha = 75^\circ$	
FL FLEX 40W	0.097 m ²	0.094 m ²	0.084 m ²	0.069 m ²	0.049 m ²	0.025 m ²	< 38 kg
FL FLEX 80W	0.13 m ²	0.125 m ²	0.112 m ²	0.092 m ²	0.065 m ²	0.034 m ²	< 51 kg
FL FLEX 130W	0.152 m ²	0.147 m ²	0.132 m ²	0.108 m ²	0.076 m ²	0.039 m ²	< 60 kg
FL FLEX 180W	0.174 m ²	0.168 m ²	0.151 m ²	0.123 m ²	0.087 m ²	0.045 m ²	< 69 kg
FL FLEX 250W	0.225 m ²	0.217 m ²	0.195 m ²	0.159 m ²	0.113 m ²	0.058 m ²	< 89 kg
FL FLEX 360W	0.315 m ²	0.304 m ²	0.273 m ²	0.223 m ²	0.157 m ²	0.081 m ²	< 124 kg
FL FLEX 450W	0.356 m ²	0.343 m ²	0.308 m ²	0.251 m ²	0.178 m ²	0.092 m ²	< 140 kg



FLOODLIGHT FLEX



FLOODLIGHT FLEX



4 **1** **2** ... **x**

	C10A	B16A	C16A
40W	12	12	20
80W	20	28	32
130W	10	10	17
180W	8	7	12
250W	6	6	10
360W	4	3	6
450W	3	3	5

1

	d
40W	120
80W	143
130W	175
180W	175
250W	206
360W	250
450W	313

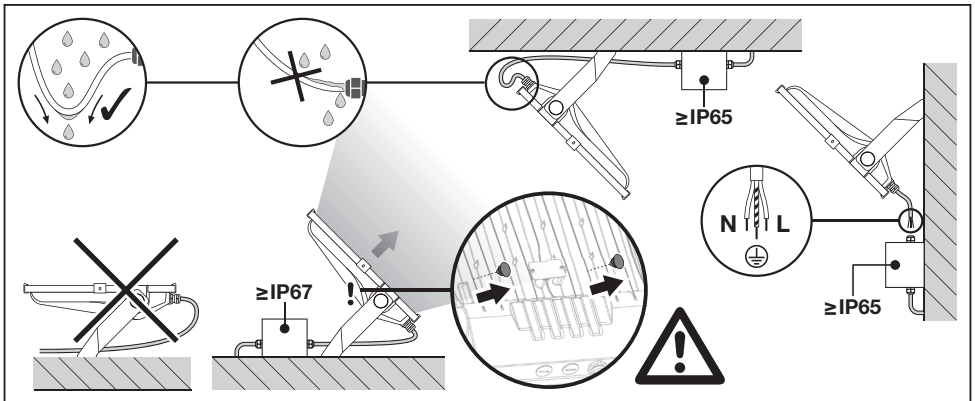
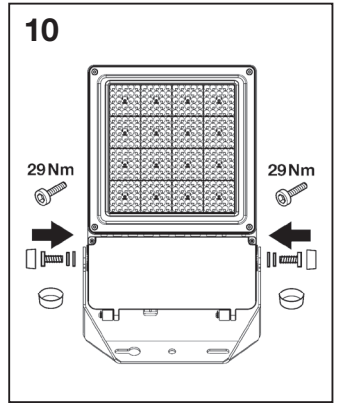
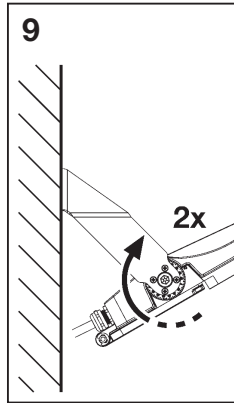
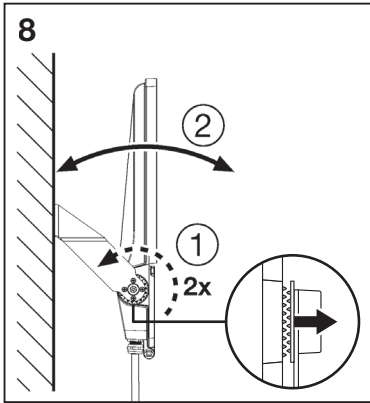
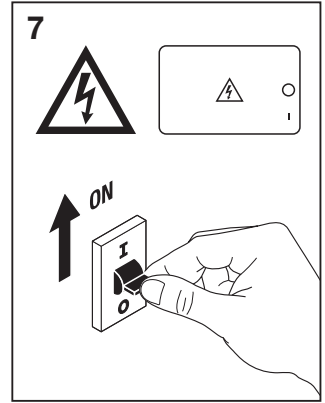
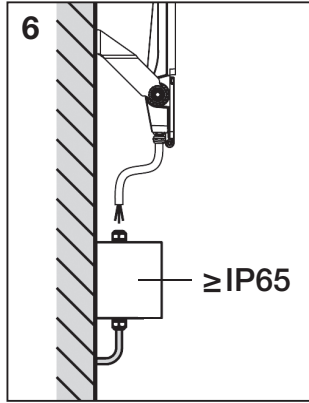
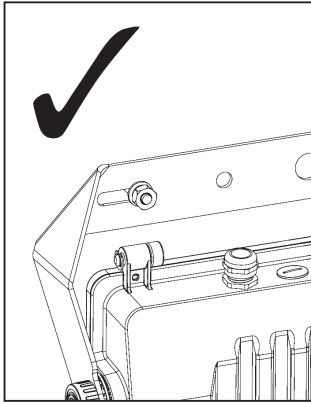
2

3

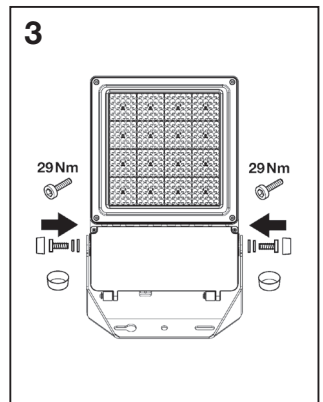
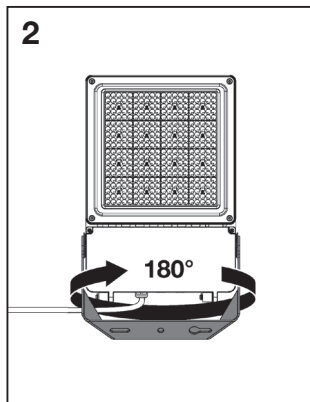
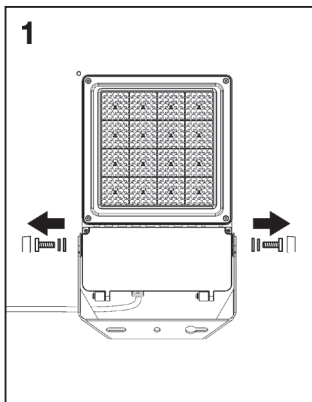
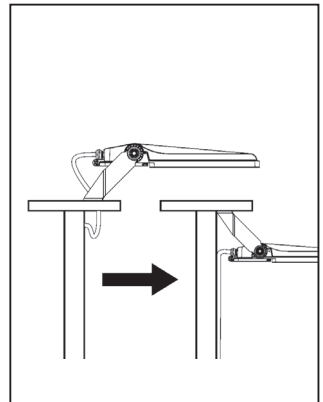
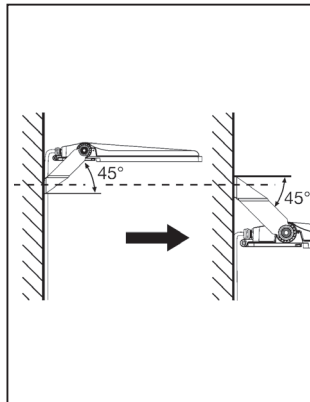
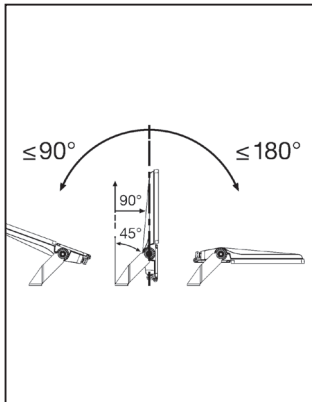
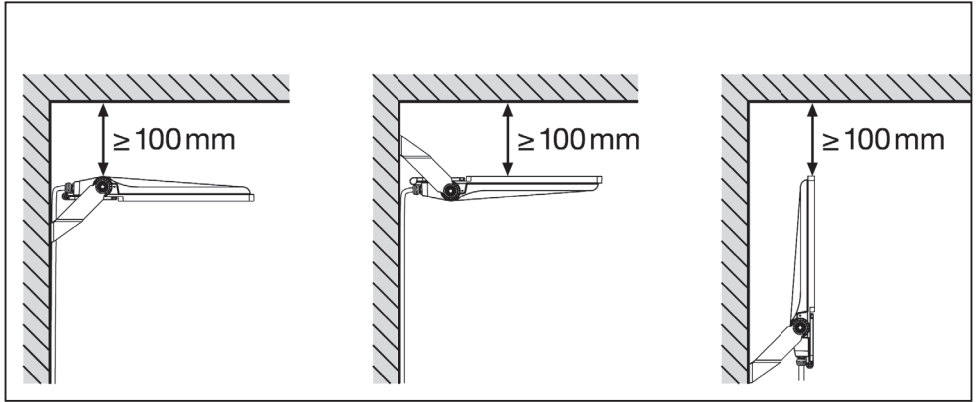
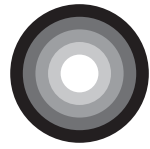
4

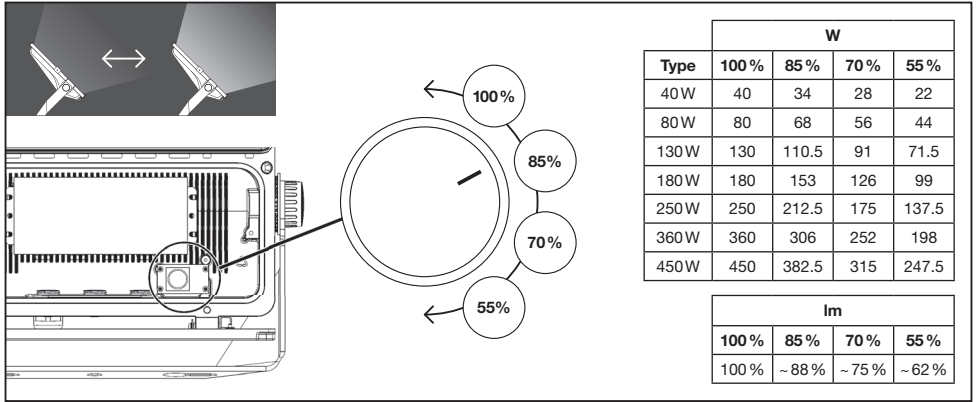
5

FLOODLIGHT FLEX



FLOODLIGHT FLEX





FR
 Cet appareil et ses accessoires se recyclent

À DÉPOSER EN MAGASIN
 À DÉPOSER EN DÉCHÈTERIE

OU

Points de collecte sur www.quefairedemesdechets.fr



LEDVANCE SASU
 CQM, 5 rue d'Altorf
 67120 Molsheim France
www.ledvance.com

C10449058
 G11280421
 13.02.26

© LEDVANCE Ltd, Sterling House,
 810 Mandarin Court, Warrington,
 Cheshire, WA1 1GG, United Kingdom