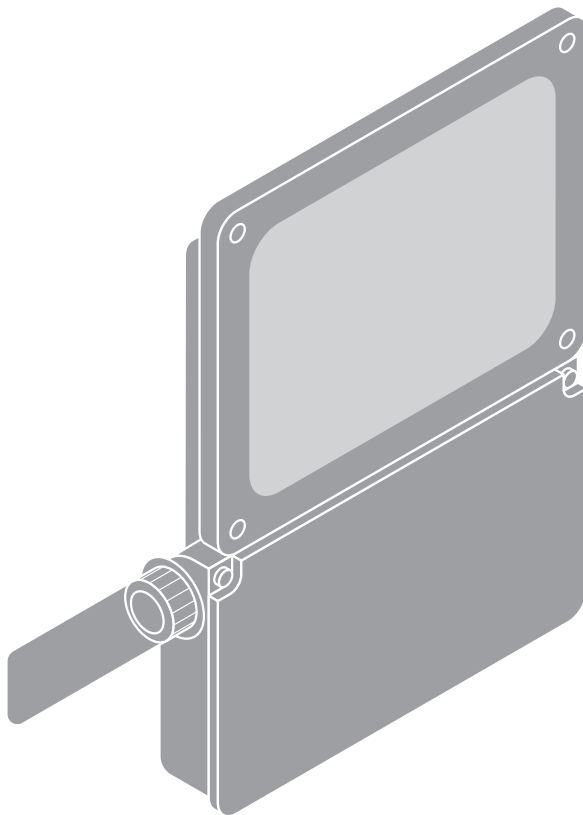


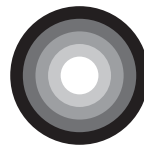
FLOODLIGHT FLEX DALI

LEDVANCE



IP	IK	V _{AC}	R _a	Hz	PF (@100%)	ⓘ (°C)
66	08	220-240V	>80	50/60Hz	>0.9	-30...+50


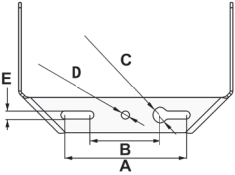
FLOODLIGHT FLEX DALI

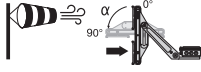



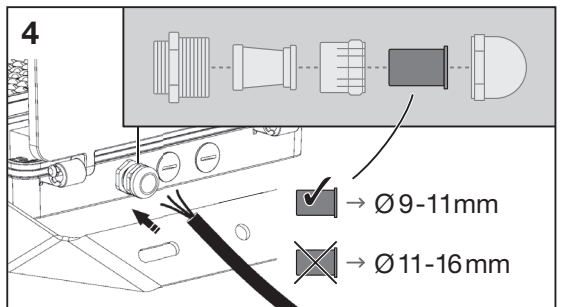
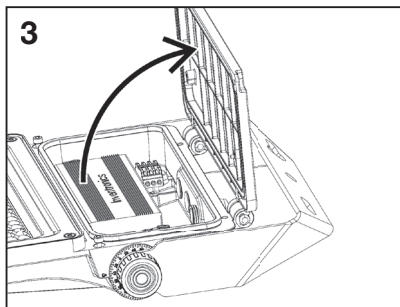
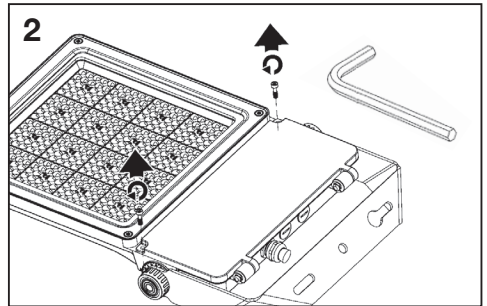
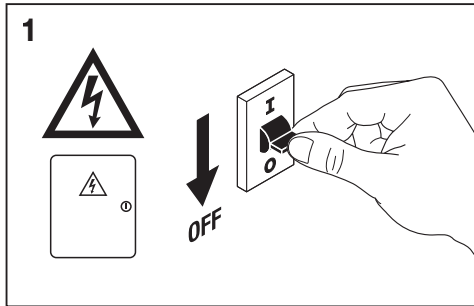
	EAN	∠	👤	l x w x h [mm]	W	lm	lm/W	K
FL FLEX DA P 40W 830 A45X140 WAL	4099854373145	45° x 140°	3.8 kg	406 x 277 x 67	40	5800	145	3000
FL FLEX DA P 40W 830 A55X120 WAL	4099854373169	55° x 120°	3.8 kg	406 x 277 x 67	40	5900	148	3000
FL FLEX DA P 40W 840 A45X140 WAL	4099854373183	45° x 140°	3.8 kg	406 x 277 x 67	40	6100	153	4000
FL FLEX DA P 40W 840 A55X120 WAL	4099854373206	55° x 120°	3.8 kg	406 x 277 x 67	40	6200	155	4000
FL FLEX DA P 80W 830 A45X140 WAL	4099854373220	45° x 140°	4.7 kg	479 x 304 x 67	80	11400	143	3000
FL FLEX DA P 80W 830 A55X120 WAL	4099854373244	55° x 120°	4.7 kg	479 x 304 x 67	80	11500	144	3000
FL FLEX DA P 80W 840 A45X140 WAL	4099854373268	45° x 140°	4.7 kg	479 x 304 x 67	80	12000	150	4000
FL FLEX DA P 80W 840 A55X120 WAL	4099854373299	55° x 120°	4.7 kg	479 x 304 x 67	80	12100	151	4000
FL FLEX DA P 130W 830 A45X140 WAL	4099854373312	45° x 140°	6.0 kg	492 x 361 x 68	130	19000	146	3000
FL FLEX DA P 130W 830 A55X120 WAL	4099854373336	55° x 120°	6.0 kg	492 x 361 x 68	130	19100	147	3000
FL FLEX DA P 130W 830 R60 WAL	4099854373343	60°	6.0 kg	492 x 361 x 68	130	19900	153	3000
FL FLEX DA P 130W 830 R30 WAL	4099854373367	30°	6.0 kg	492 x 361 x 68	130	19900	153	3000
FL FLEX DA P 130W 840 A45X140 WAL	4099854373381	45° x 140°	6.0 kg	492 x 361 x 68	130	19800	152	4000
FL FLEX DA P 130W 840 A55X120 WAL	4099854373404	55° x 120°	6.0 kg	492 x 361 x 68	130	19900	153	4000
FL FLEX DA P 130W 840 R60 WAL	4099854373435	60°	6.0 kg	492 x 361 x 68	130	20800	160	4000
FL FLEX DA P 130W 840 R30 WAL	4099854373459	30°	6.0 kg	492 x 361 x 68	130	20800	160	4000
FL FLEX DA P 180W 830 A45X140 WAL	4099854373503	45° x 140°	6.6 kg	552 x 361 x 68	180	25500	142	3000
FL FLEX DA P 180W 830 A55X120 WAL	4099854373527	55° x 120°	6.6 kg	552 x 361 x 68	180	25700	143	3000
FL FLEX DA P 180W 830 R60 WAL	4099854373534	60°	6.6 kg	552 x 361 x 68	180	27000	150	3000
FL FLEX DA P 180W 830 R30 WAL	4099854373558	30°	6.6 kg	552 x 361 x 68	180	27000	150	3000
FL FLEX DA P 180W 840 A45X140 WAL	4099854373626	45° x 140°	6.6 kg	552 x 361 x 68	180	27500	153	4000
FL FLEX DA P 180W 840 A55X120 WAL	4099854373640	55° x 120°	6.6 kg	552 x 361 x 68	180	27700	154	4000
FL FLEX DA P 180W 840 R60 WAL	4099854373657	60°	6.6 kg	552 x 361 x 68	180	28000	156	4000
FL FLEX DA P 180W 840 R30 WAL	4099854373671	30°	6.6 kg	552 x 361 x 68	180	28000	156	4000
FL FLEX DA P 250W 830 A45X140 WAL	4099854373701	45° x 140°	8.3 kg	627 x 416 x 68	250	37000	148	3000
FL FLEX DA P 250W 830 A55X120 WAL	4099854373718	55° x 120°	8.3 kg	627 x 416 x 68	250	37000	148	3000
FL FLEX DA P 250W 830 R60 WAL	4099854373749	60°	8.3 kg	627 x 416 x 68	250	37500	150	3000
FL FLEX DA P 250W 830 R30 WAL	4099854373756	30°	8.3 kg	627 x 416 x 68	250	37500	150	3000
FL FLEX DA P 250W 840 A45X140 WAL	4099854373787	45° x 140°	8.3 kg	627 x 416 x 68	250	39000	156	4000
FL FLEX DA P 250W 840 A55X120 WAL	4099854373817	55° x 120°	8.3 kg	627 x 416 x 68	250	39000	156	4000
FL FLEX DA P 250W 840 R60 WAL	4099854373831	60°	8.3 kg	627 x 416 x 68	250	39500	158	4000
FL FLEX DA P 250W 840 R30 WAL	4099854373855	30°	8.3 kg	627 x 416 x 68	250	39500	158	4000
FL FLEX DA P 360W 830 A45X140 WAL	4099854373879	45° x 140°	14.1 kg	751 x 480 x 105	360	52000	144	3000
FL FLEX DA P 360W 830 A55X120 WAL	4099854373893	55° x 120°	14.1 kg	751 x 480 x 105	360	52000	144	3000
FL FLEX DA P 360W 830 A60X110 WAL	4099854373909	60° x 110°	14.1 kg	751 x 480 x 105	360	48000	133	3000
FL FLEX DA P 360W 830 R20 WAL	4099854373916	20°	14.1 kg	751 x 480 x 105	360	48500	135	3000
FL FLEX DA P 360W 840 A45X140 WAL	4099854373923	45° x 140°	14.1 kg	751 x 480 x 105	360	56000	156	4000
FL FLEX DA P 360W 840 A55X120 WAL	4099854373930	55° x 120°	14.1 kg	751 x 480 x 105	360	56000	156	4000
FL FLEX DA P 360W 840 A60X110 WAL	4099854373954	60° x 110°	14.1 kg	751 x 480 x 105	360	52000	144	4000
FL FLEX DA P 360W 840 R20 WAL	4099854373978	20°	14.1 kg	751 x 480 x 105	360	52500	146	4000
FL FLEX DA P 450W 830 A45X140 WAL	4099854373992	45° x 140°	15.9 kg	755 x 538 x 105	450	65000	144	3000
FL FLEX DA P 450W 830 A60X110 WAL	4099854374012	60° x 110°	15.9 kg	755 x 538 x 105	450	60000	133	3000
FL FLEX DA P 450W 830 A55x120 WAL	4099854374036	55° x 120°	15.9 kg	755 x 538 x 105	450	65000	144	3000
FL FLEX DA P 450W 830 R20 WAL	4099854374050	20°	15.9 kg	755 x 538 x 105	450	61000	136	3000
FL FLEX DA P 450W 840 A45X140 WAL	4099854374067	45° x 140°	15.9 kg	755 x 538 x 105	450	70000	156	4000
FL FLEX DA P 450W 840 A60X110 WAL	4099854374098	60° x 110°	15.9 kg	755 x 538 x 105	450	65000	144	4000
FL FLEX DA P 450W 840 A55x120 WAL	4099854374111	55° x 120°	15.9 kg	755 x 538 x 105	450	70000	156	4000
FL FLEX DA P 450W 840 R20 WAL	4099854374128	20°	15.9 kg	755 x 538 x 105	450	66000	147	4000
FL FLEX DA P 80W 822 A45X140 WAL	4099854374135	45° x 140°	4.7 kg	479 x 304 x 67	80	8300	104	2200
FL FLEX DA P 80W 822 A55X120 WAL	4099854374142	55° x 120°	4.7 kg	479 x 304 x 67	80	8400	105	2200
FL FLEX DA P 130W 822 R30 WAL	4099854374159	30°	6.0 kg	492 x 361 x 68	130	15000	115	2200

FLOODLIGHT FLEX DALI

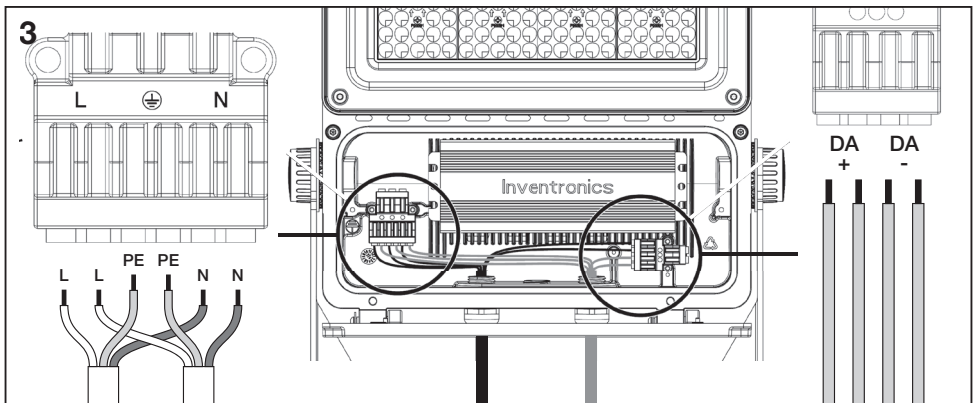
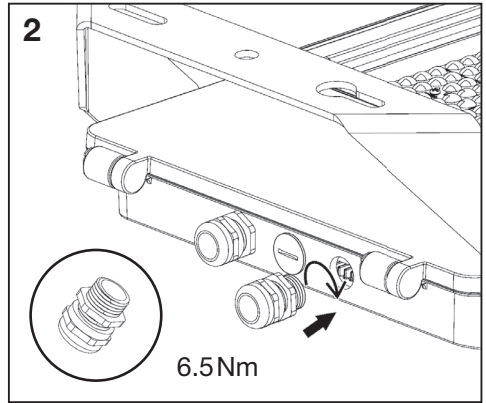
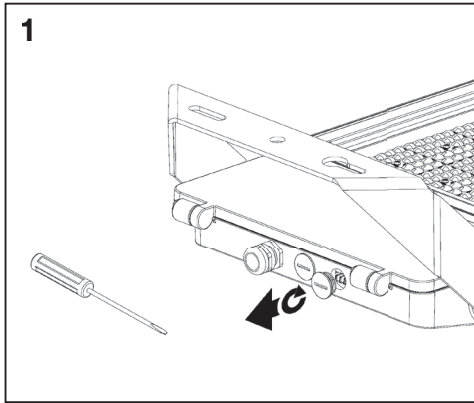
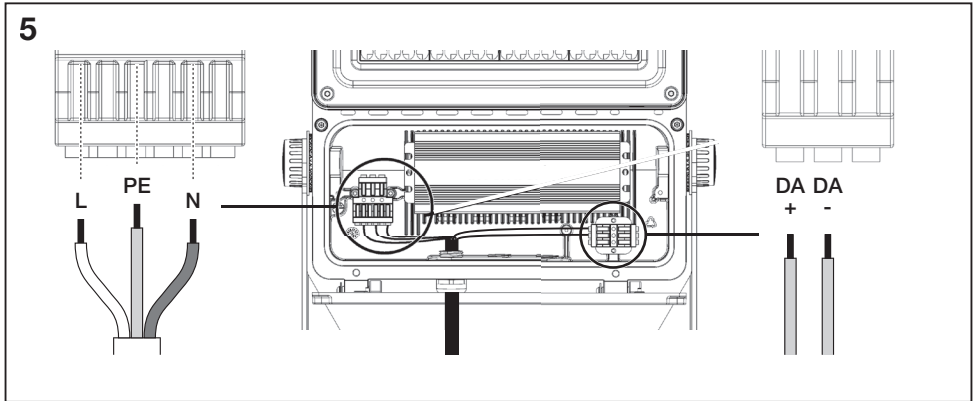


		230 Vac								
		A	B	C	D	E		C10A	B16A	C16A
40W		140	100	18	9	9	2x M8	8	8	14
80W		168	118	22	13	11	2x M10	8	8	14
130W		200	150	22	13	11	2x M10	8	9	14
180W		200	150	22	13	11	2x M10	5	5	8
250W		236	176	22	13	11	2x M10	4	4	7
360W		280	220	27	21	17	2x M16	4	4	6
450W		343	283	27	21	17	2x M16	3	4	5

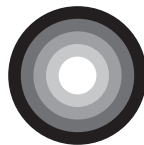
Model							
	$\alpha = 0^\circ$	$\alpha = 15^\circ$	$\alpha = 30^\circ$	$\alpha = 45^\circ$	$\alpha = 60^\circ$	$\alpha = 75^\circ$	
FL FLEX 40W	0.097 m ²	0.094 m ²	0.084 m ²	0.069 m ²	0.049 m ²	0.025 m ²	< 38 kg
FL FLEX 80W	0.13 m ²	0.125 m ²	0.112 m ²	0.092 m ²	0.065 m ²	0.034 m ²	< 51 kg
FL FLEX 130W	0.152 m ²	0.147 m ²	0.132 m ²	0.108 m ²	0.076 m ²	0.039 m ²	< 60 kg
FL FLEX 180W	0.174 m ²	0.168 m ²	0.151 m ²	0.123 m ²	0.087 m ²	0.045 m ²	< 69 kg
FL FLEX 250W	0.225 m ²	0.217 m ²	0.195 m ²	0.159 m ²	0.113 m ²	0.058 m ²	< 89 kg
FL FLEX 360W	0.315 m ²	0.304 m ²	0.273 m ²	0.223 m ²	0.157 m ²	0.081 m ²	< 124 kg
FL FLEX 450W	0.356 m ²	0.343 m ²	0.308 m ²	0.251 m ²	0.178 m ²	0.092 m ²	< 140 kg



FLOODLIGHT FLEX DALI



FLOODLIGHT FLEX DALI



4 **1** **2** ... **x**

	C10A	B16A	C16A
40W	8	8	14
80W	8	8	14
130W	8	9	14
180W	5	5	8
250W	4	4	7
360W	4	4	6
450W	3	4	5

1

	d
40W	120
80W	143
130W	175
180W	175
250W	206
360W	250
450W	313

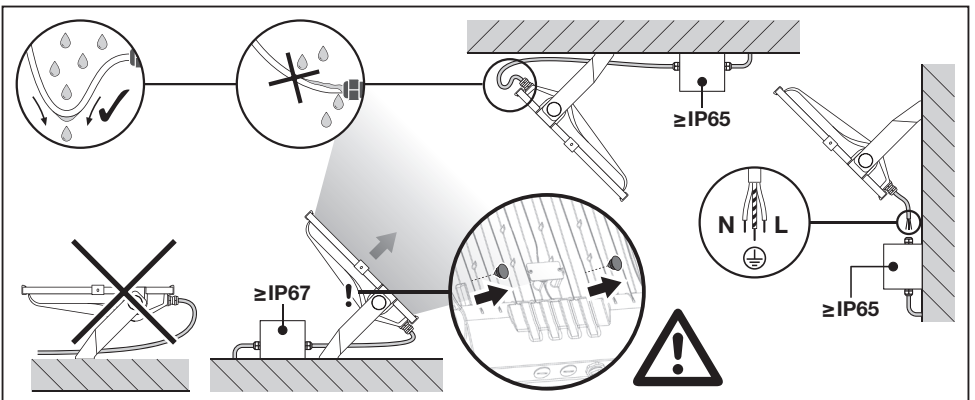
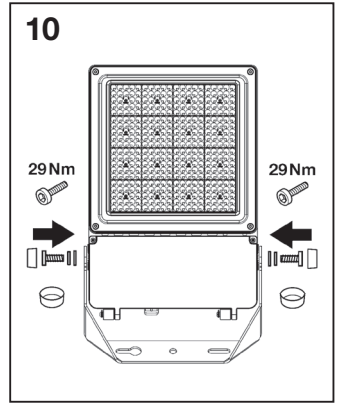
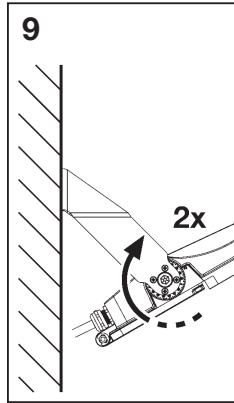
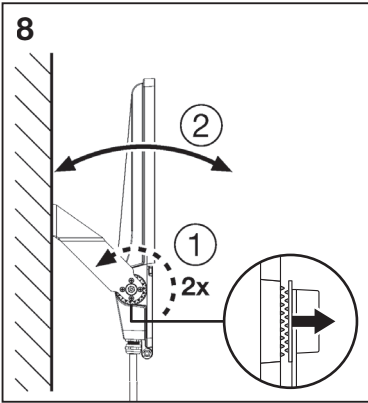
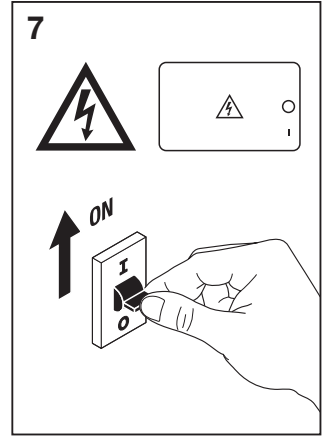
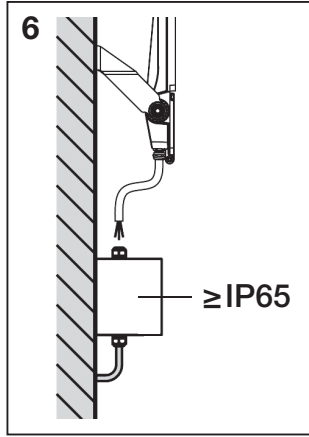
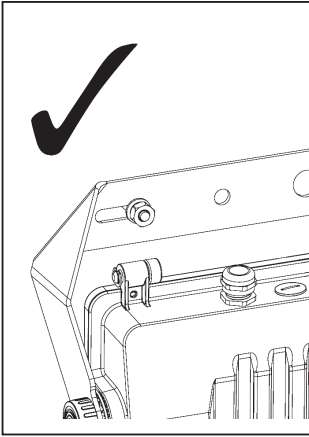
2

3

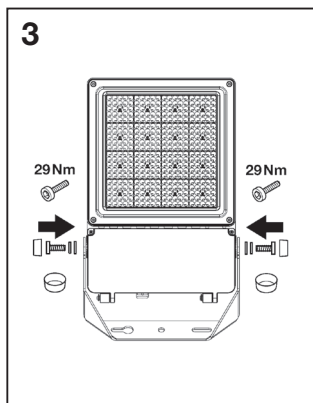
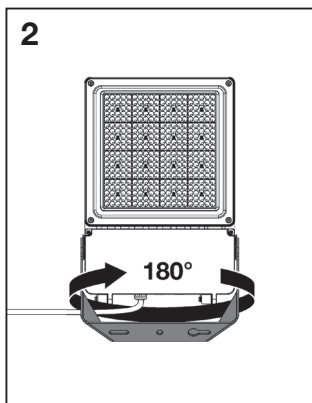
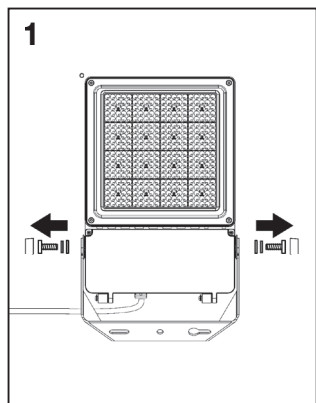
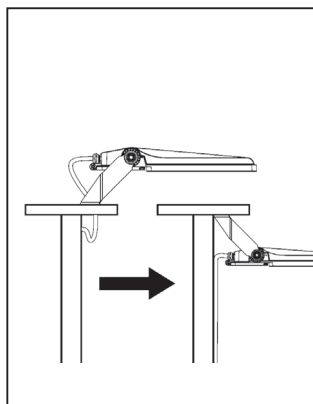
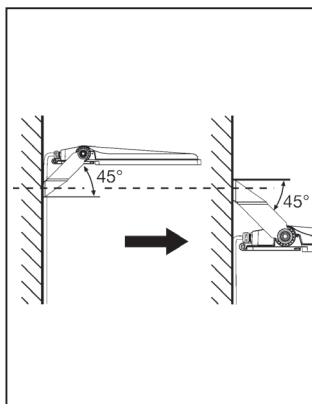
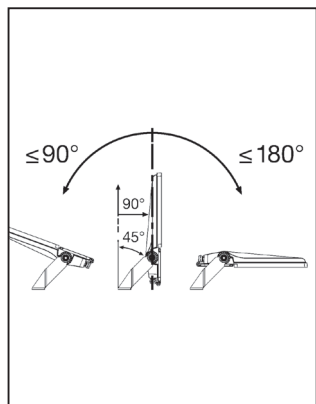
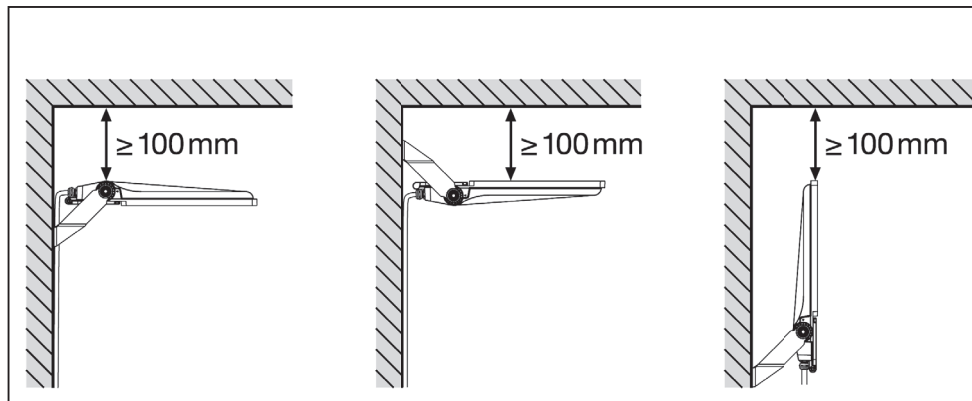
4

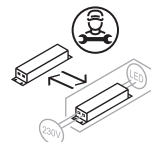
5

FLOODLIGHT FLEX DALI



FLOODLIGHT FLEX DALI





FR

Cet appareil et ses accessoires se recyclent

À DÉPOSER EN MAGASIN

EN DÉCHÈTERIE

À DÉPOSER EN DÉCHÈTERIE

OU



Points de collecte sur www.quefairedemesdechets.fr



C10449058

G11280422

13.02.26

LEDVANCE SASU
CQM, 5 rue d'Altorf
67120 Molsheim France
www.ledvance.com

© LEDVANCE Ltd, Sterling House,
810 Mandarin Court, Warrington,
Cheshire, WA1 1GG, United Kingdom