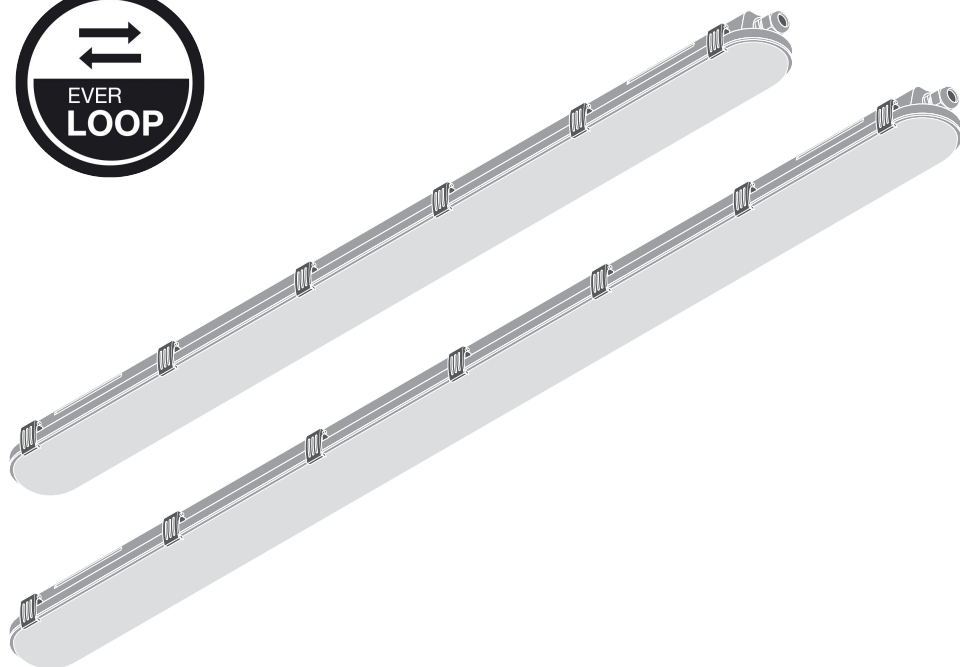


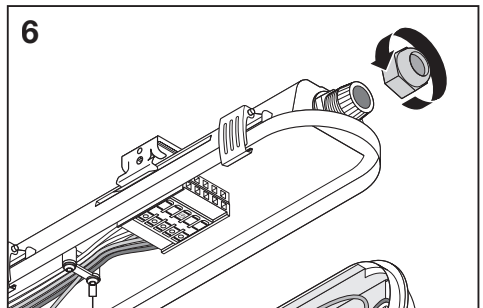
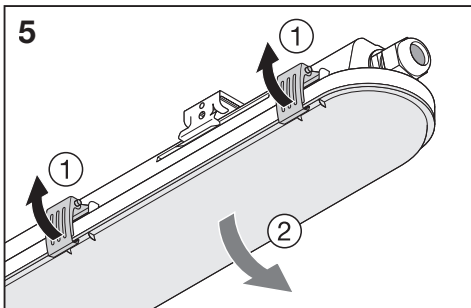
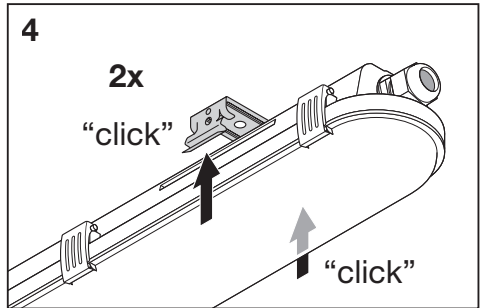
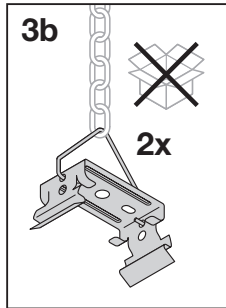
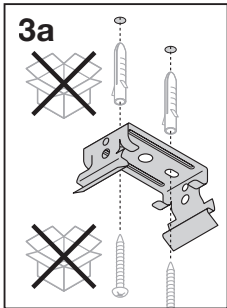
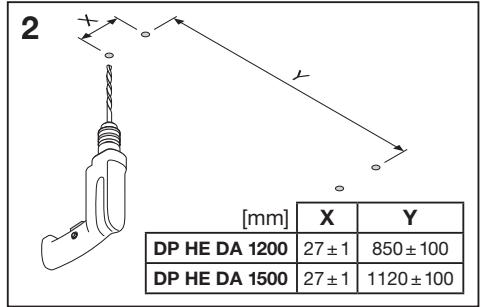
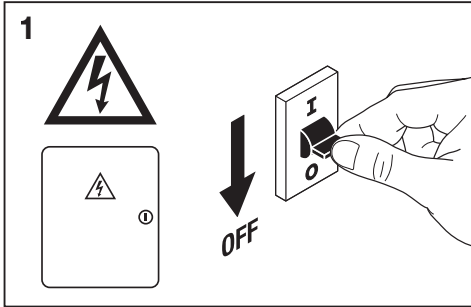
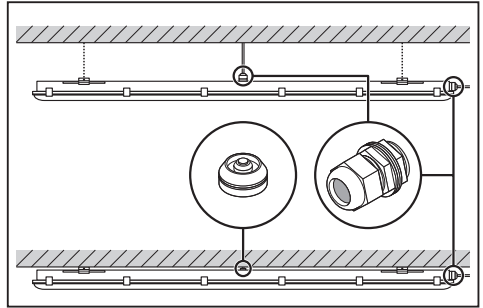
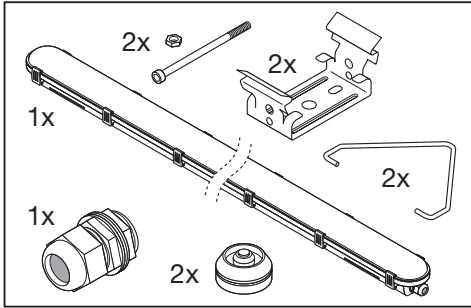
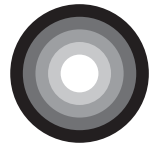
DAMP PROOF HE DALI

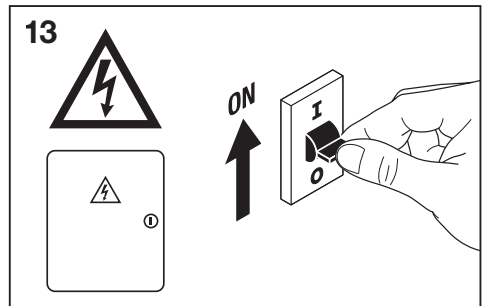
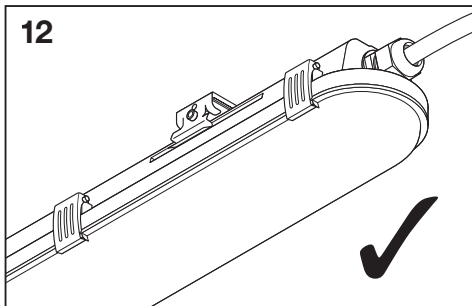
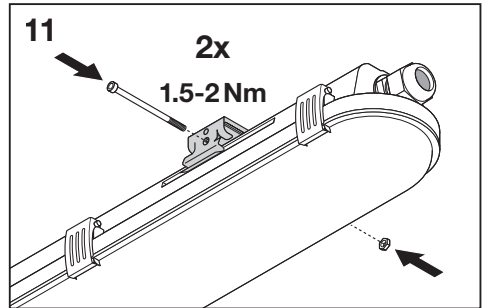
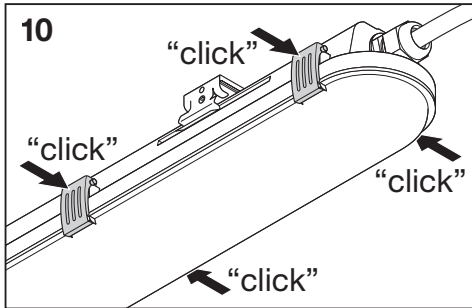
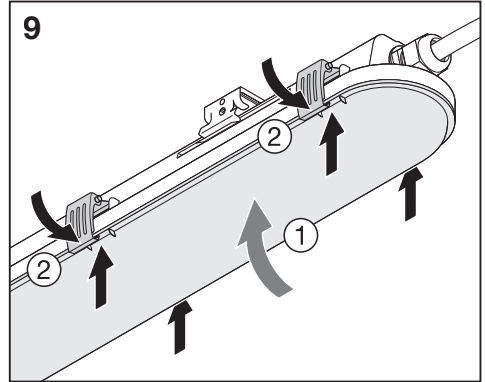
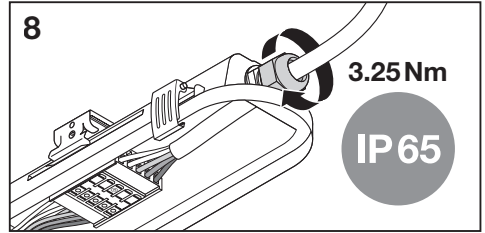
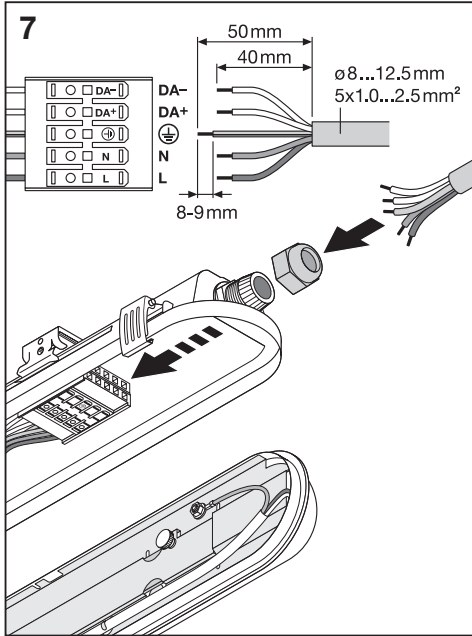
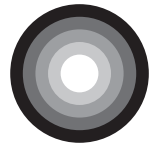
| | EAN | l x w x h [mm] | W | VAC | Hz | lm | lm/W |
|------------------------------|---------------|----------------|------|----------|------------|------|------|
| DP HE DA 1200 P 29W 840 IP65 | 4099854406874 | 1200 x 82 x 68 | 28.4 | 220-240V | 0/50/60 Hz | 4640 | 163 |
| DP HE DA 1200 P 29W 865 IP65 | 4099854406898 | 1200 x 82 x 68 | 28.4 | 220-240V | 0/50/60 Hz | 4640 | 163 |
| DP HE DA 1500 P 23W 840 IP65 | 4099854406911 | 1500 x 82 x 68 | 22.7 | 220-240V | 0/50/60 Hz | 3680 | 162 |
| DP HE DA 1500 P 23W 865 IP65 | 4099854406935 | 1500 x 82 x 68 | 22.7 | 220-240V | 0/50/60 Hz | 3680 | 162 |
| DP HE DA 1500 P 40W 840 IP65 | 4099854406959 | 1500 x 82 x 68 | 39.2 | 220-240V | 0/50/60 Hz | 6400 | 163 |
| DP HE DA 1500 P 40W 865 IP65 | 4099854406973 | 1500 x 82 x 68 | 39.2 | 220-240V | 0/50/60 Hz | 6400 | 163 |
| DP HE DA 1500 P 49W 840 IP65 | 4099854406997 | 1500 x 82 x 68 | 48.4 | 220-240V | 0/50/60 Hz | 7840 | 162 |
| DP HE DA 1500 P 49W 865 IP65 | 4099854407017 | 1500 x 82 x 68 | 48.4 | 220-240V | 0/50/60 Hz | 7840 | 162 |

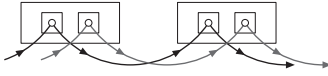
| | EAN | K | IP | IK | ∠ | R _a | °(°C) | PF | 👤 |
|------------------------------|---------------|------|----|----|------|----------------|-----------|-------|---------|
| DP HE DA 1200 P 29W 840 IP65 | 4099854406874 | 4000 | 65 | 08 | 120° | > 80 | -20...+40 | > 0.9 | 1.40 kg |
| DP HE DA 1200 P 29W 865 IP65 | 4099854406898 | 6500 | 65 | 08 | 120° | > 80 | -20...+40 | > 0.9 | 1.40 kg |
| DP HE DA 1500 P 23W 840 IP65 | 4099854406911 | 4000 | 65 | 08 | 120° | > 80 | -20...+40 | > 0.9 | 1.65 kg |
| DP HE DA 1500 P 23W 865 IP65 | 4099854406935 | 6500 | 65 | 08 | 120° | > 80 | -20...+40 | > 0.9 | 1.65 kg |
| DP HE DA 1500 P 40W 840 IP65 | 4099854406959 | 4000 | 65 | 08 | 120° | > 80 | -20...+40 | > 0.9 | 1.65 kg |
| DP HE DA 1500 P 40W 865 IP65 | 4099854406973 | 6500 | 65 | 08 | 120° | > 80 | -20...+40 | > 0.9 | 1.65 kg |
| DP HE DA 1500 P 49W 840 IP65 | 4099854406997 | 4000 | 65 | 08 | 120° | > 80 | -20...+40 | > 0.9 | 1.65 kg |
| DP HE DA 1500 P 49W 865 IP65 | 4099854407017 | 6500 | 65 | 08 | 120° | > 80 | -20...+40 | > 0.9 | 1.65 kg |

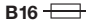
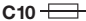

DAMP PROOF HE DALI



DAMP PROOF HE DALI





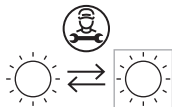
| n | B16  | C10  | C16  |
|---------------------|---|---|---|
| DP HE DA 1200 P 29W | 32 | 33 | 53 |
| DP HE DA 1500 P 23W | 32 | 33 | 53 |
| DP HE DA 1500 P 40W | 31 | 32 | 52 |
| DP HE DA 1500 P 49W | 22 | 21 | 36 |



www.ledvance.com/everloop



Raccolta Carta
Verifica le disposizioni
del tuo comune.



FR
Cet appareil et ses accessoires se recyclent

À DÉPOSER EN MAGASIN
OU
À DÉPOSER EN DÉCHÈTERIE

Points de collecte sur www.quefairedemesdechets.fr



LEDVANCE SASU
CQM, 5 rue d'Altorf
67120 Molsheim France
www.ledvance.com

C10449057
G11287123

10.04.26

© LEDVANCE Ltd, Sterling House,
810 Mandarin Court, Warrington,
Cheshire, WA1 1GG, United Kingdom