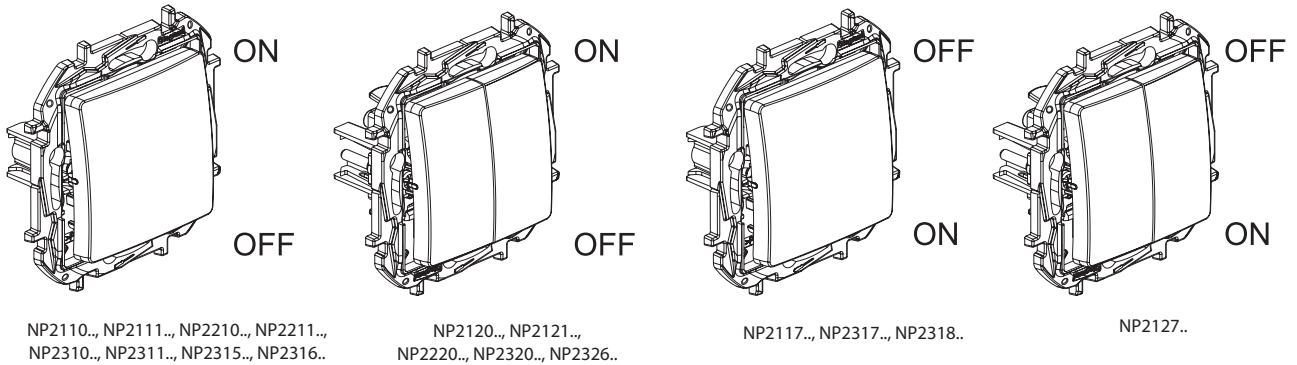


## Niloé™ Lighting controls

Cat. No(s): NP2110BK/MG/WH, NP2111BK/MGWH, NP2113BK/MG/WH, NP2117BK/MG/WH, NP2127BK/MG/WH, NP2130BK/MG/WH, NP2210BK/MG/WH, NP2211BK/MG/WH, NP2220BK/MG/WH, NP2310BK/MG/WH, NP2311BK/MG/WH, NP2315BK/MG/WH, NP2316BK/MG/WH, NP2317BK/MG/WH, NP2318BK/MG/WH, NP2326BK/MG/WH



### 1. USE

Lighting controls mechanisms NP2110.., NP2111.., NP2117.., NP2120.., NP2121.., NP2127.., NP2210.., NP2211.., NP2220.. 10 AX - 250 V~.

Push button mechanism NP2310.., NP2311.., NP2315.., NP2316.., NP2317.., NP2318.., NP2320.., NP2326.. 6A-250 V~.

To be equipped with plates one or several gangs.

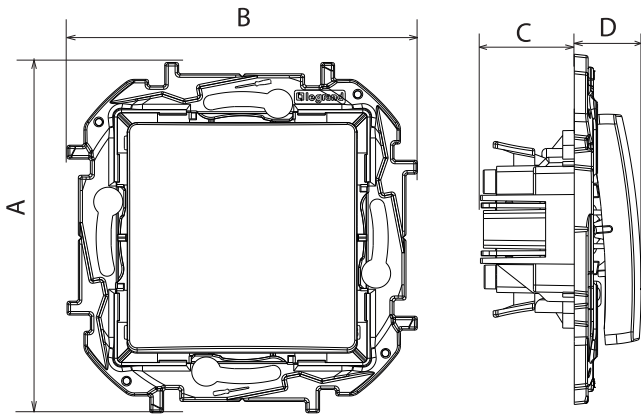
Flush-mounting or surface-mounting.

Screw or claw fixing.

### 2. RANGE

Description	White	Medium Grey	Black
One-way switch	NP2110WH	NP2110MG	NP2110BK
Illuminated one-way switch	NP2111WH	NP2111MG	NP2111BK
Illuminated one-way switch, switching on bottom	NP2117WH	NP2117MG	NP2117BK
Illuminated two-gang one-way switch, switching on bottom	NP2127WH	NP2127MG	NP2127BK
Two-gang one-way switch	NP2120WH	NP2120MG	NP2120BK
Two-way switch	NP2210WH	NP2210MG	NP2210BK
Illuminated two-gang one-way switch	NP2121WH	NP2121MG	NP2121BK
Two-gang two-way switch	NP2220WH	NP2220MG	NP2220BK
Illuminated two-way switch	NP2211WH	NP2211MG	NP2211BK
One-way push button	NP2310WH	NP2310MG	NP2310BK
One-way two-gang push button	NP2320WH	NP2320MG	NP2320BK
Illuminated one-way push button with bell symbol	NP2311WH	NP2311MG	NP2311BK
Illuminated one-way push button with bell symbol, switching on bottom	NP2318WH	NP2318MG	NP2318BK
Illuminated one-way push button	NP2315WH	NP2315MG	NP2315BK
Two-way changeover push button	NP2316WH	NP2316MG	NP2316BK
Illuminated one-way push button, switching on bottom	NP2317WH	NP2317MG	NP2317BK
Two-gang changeover push button	NP2326WH	NP2326MG	NP2326BK

### 3. DIMENSIONS (mm)



References	A	B	C	D
NP2110.., NP2111.., NP2117.., NP2210.., NP2211.., NP2310.., NP2311.., NP2315.., NP2316.., NP2317.., NP2318..	75.8	75.8	20.3	14.3

### 4. CONNECTION

Type of terminals: automatic  
Stripping length: 13 mm  
Capacity: 2 x 2.5 mm<sup>2</sup>  
Flexible or rigid cables compatible

### 5. TECHNICAL CHARACTERISTICS

#### ■ 5.1 Mechanical characteristics

Protection against solid bodies and liquids: IP 20  
Protection against impact: IK 04

#### ■ 5.2 Material characteristics

Polyglass appearance  
Mechanism housing: PC  
Rocker plate: ABS  
Halogen-free  
UV-resistant

Claws: steel

Support: PC  
Halogen-free

Self-extinguishing:  
850°C/30 s for insulating components holding live parts in place  
650°C/30 s for other insulating components

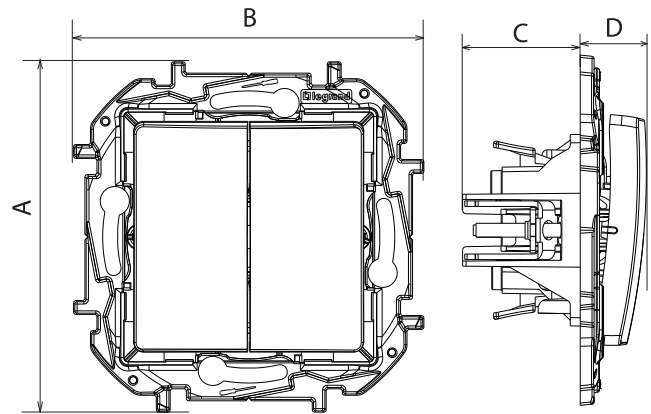
#### ■ 5.3 Electrical characteristics

Voltage: 250 V~  
Current: NP2110.., NP2111.., NP2117.., NP2120.., NP2121.., NP2127..,  
NP2210.., NP2211.., NP2220.. 10 AX  
NP2310.., NP2311.., NP2315.., NP2316.., NP2317.., NP2318.., NP2320..,  
NP2326.. 6A

Frequency: 50/60 Hz  
Maximum power on integrated ballast lamps: 100 W

#### ■ 5.4 Climate characteristics

Storage temperature: -10°C to +70°C  
Usage temperature: -5°C to +40°C



References	A	B	C	D
NP2120.., NP2121.., NP2127.., NP2220.., NP2320.., NP2326..	75.8	75.8	25.5	14.5

### 6. MAINTENANCE

Surface cleaning with a cloth.  
Do not use: acetone, tar remover, trichloroethylene.

Maintenance with the following products:

Hexane, methylated spirit, soapy water, diluted ammonia, pure bleach diluted to 10%, window-cleaning products.

**Caution:** Always test before using other special cleaning products

### 7. STANDARDS AND APPROVALS

The undersigned, LEGRAND, declares that the radio-electric equipment type (Cat. Nos: NP2110BK/MG/WH - NP2111BK/MG/WH - NP2117BK/MG/WH - NP2120BK/MG/WH - NP2121BK/MG/WH - NP2127BK/MG/WH - NP2210BK/MG/WH - NP2211BK/MG/WH - NP2220BK/MG/WH - NP2310BK/MG/WH - NP2311BK/MG/WH - NP2315BK/MG/WH - NP2316BK/MG/WH - NP2317BK/MG/WH - NP2318BK/MG/WH - NP2320BK/MG/WH - NP2326BK/MG/WH ) complies with directive 2014/53/EU.

The full text of the EU declaration of conformity is available on the fol-