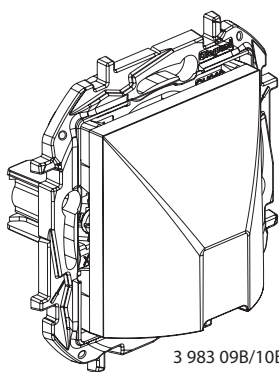
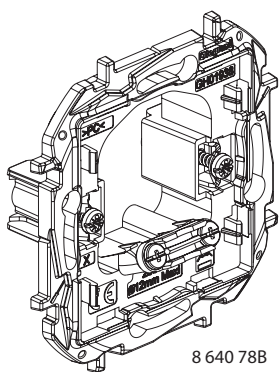


## Niloé™ STEP Cable outlets

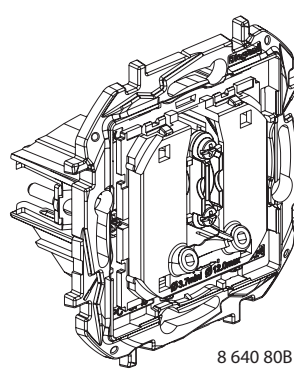
Cat. No(s): 3 983 09B/10B/11B - 8 631 29B - 8 633 29B - 8 634 29B - 8 635 29B -  
8 640 78B - 8 640 80B



3 983 09B/10B/11B,  
8 63X 29B



8 640 78B



8 640 80B

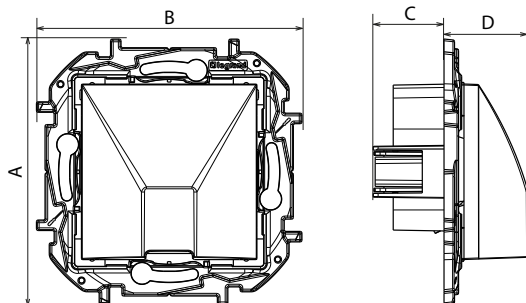
### 1. USE

Cable outlets.  
Mechanisms supplied with protection cover.  
To be equipped with plates one or several gangs.  
Flush-mounting or surface-mounting.  
Screw or claw mounting.

### 2. RANGE

Description	White	Aluminium	Medium Grey	Black	Mechanism Only
Cable outlet	3 983 09B, 8 631 29B	3 983 10B, 8 633 29B	8 634 29B	3 983 11B, 8 635 29B	8 640 78B/80B

### 3. DIMENSIONS (mm)



References	A	B	C	D
3 983 09B/10B/11B, 8 63X 29B	75.8	75.8	20.2	23.7
8 640 78B	75.8	75.8	20.2	13.6
8 640 80B	75.8	75.8	30	12.5

### 4. CONNECTION

Capacity maxi: 3 x 2.5 mm<sup>2</sup>  
Maximum diameter of the cable: 12 mm  
Flexible or rigid cables compatible

### 5. TECHNICAL CHARACTERISTICS

#### ■ 5.1 Mechanical characteristics

Protection against solid bodies and liquids: IP 20  
Protection against impact: IK 04

#### ■ 5.2 Material characteristics

Mat appearance  
Material : - Halogen free  
- UV resistant  
- Claws: steel

### 5. TECHNICAL CHARACTERISTICS (continued)

Material of the support: - PC  
-PC + GF 10  
-Plate: ABS  
- Halogen free

Self-extinguishing:  
+ 850° C / 30 s for insulating parts holding live parts in place  
+ 650° C / 30 s for other parts made of insulating materials

#### ■ 5.3 Electrical characteristics

Voltage: 250 V~  
Current: 16A  
Frequency: 50/60 Hz

#### ■ 5.4 Climatic characteristics

Storage temperature: - 10° C to + 70° C  
Use temperature: - 5° C to + 40° C

### 6. MAINTENANCE

Surface cleaning with a cloth.  
Do not use: acetone, tar remover, trichloroethylene.

Maintenance with the following products: Hexane, Methylated spirit,  
Soapy water, Diluted ammonia, Bleach diluted to 10%,  
Window-cleaning products.

**Caution:** A preliminary test should be carried out if other specific  
cleaning products are to be used.

### 7. STANDARDS AND APPROVALS

The undersigned, LEGRAND, declares that the radio-electric equipment  
type (Cat. Nos 3 983 09B - 3 983 10B - 3 983 11B - 8 631 29B - 8 633 29B  
- 8 634 29B - 8 635 29B - 8 640 78B - 8 640 80B) complies with directive  
2014/53/EU. The full text of the EU declaration of conformity is available  
on the following website: [www.legrand.com/ecatalogue](http://www.legrand.com/ecatalogue)