



ALDD240PU/DW +
ALDD240PU-SMF



ALDD180NU/DW

VELOX DECO

The design of the Velox Deco series and the recessed light source provide a soft feel for basic lighting needs. Stylish and sophisticated accessories also provide surface mounted solutions for homes and public spaces.

DualWhite

Ensto luminaires with DualWhite solution are equipped with integrated option for light colour temperature switching. You can easily switch between 3000K and 4000K which saves your SKUs and gives you possibility to change colour temperature according to project, with one luminaire.



Dual
White

1 Luminaire,
2 Colour temperatures

DALI

DALI drivers enable luminaires to be connected to DALI based control systems and Smart Buildings. Compared to a fixed output installation, the dimming and individual control capability provided by DALI enables considerable energy savings and control, depending on luminaire specifications.

Dimming

Ensto can provide many dimming possibilities for luminaires. 1-10V, Switch Dim, DALI and base light are just few examples of possibilities to change the light output to fit your premises.

Velox Deco - For surface
and recessed mounting.





ALDD180PU/DW



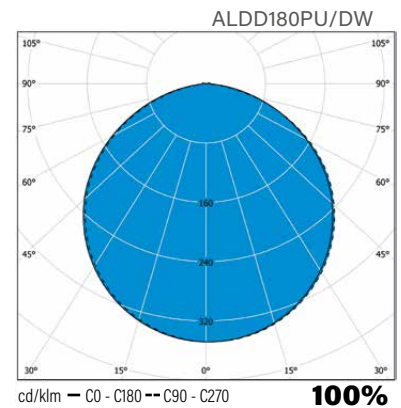
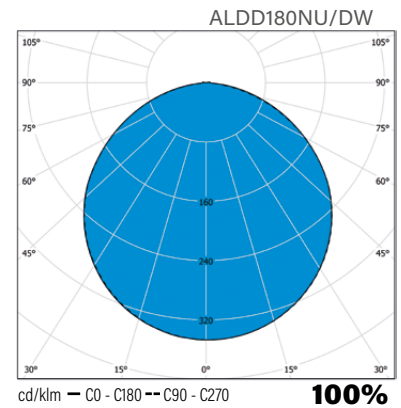
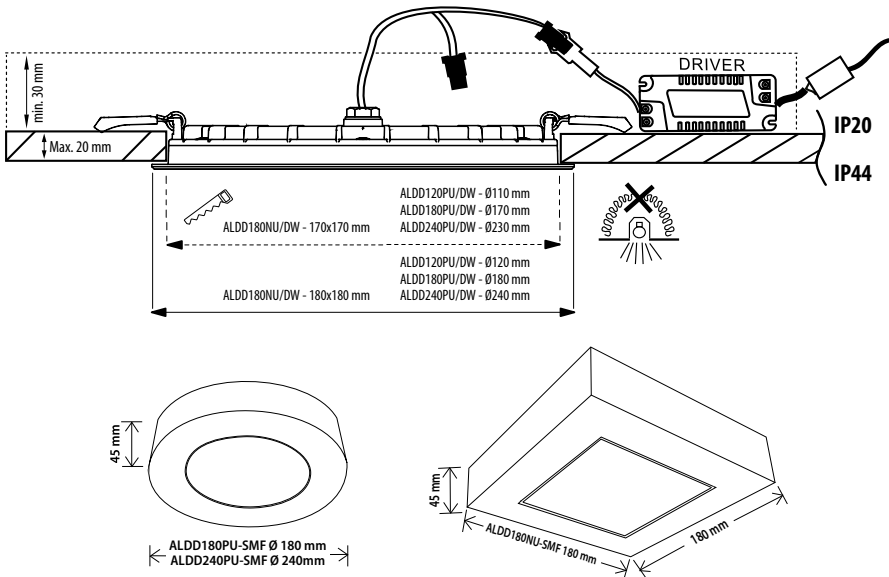
ALDD180PU-SMF / ALDD180NU-SMF

Structure

- Body white powder coated aluminium
 - Front plate made of light spreading opal sheet
 - Brackets for surface mounting made of steel
 - Dimmable (triac) LED driver included
 - Models for recessed mounting available also with DALI control
 - Models:
 - connected load 8W, 11W and 14W
- See the luminaire luminous flux from the table below
 3000 K/4000 K, selected on the connector of the luminaire
 Ra > 80, power factor 0,92
 Ambient temperature - 20 °C - + 30 °C
 LED luminaire lifespan 50 000 h (L70), T_a=25 °C

Mounting

- Models for surface and recess mounting
- -o- 2x1,5 mm², a separate junction box is included in the delivery



E number	Type	Product name	Output	Base	Kg	Recess hole	Luminous flux
Square							
41 035 69	ALDD180NU/DW	ALDD180NU IP44 11W 830/840 WH	11W	LED	0,5	170 x 170 mm	820 lm
Square, DALI							
41 035 93	ALDD180NUED/DW	ALDD180NU/DW IP44 11W DALI WH	11W	LED	0,5	170 x 170 mm	820 lm
Round							
41 035 67	ALDD120PU/DW	ALDD120PU IP44 8W 830/840 WH	8W	LED	0,2	Ø 110 mm	500 lm
41 035 68	ALDD180PU/DW	ALDD180PU IP44 11W 830/840 WH	11W	LED	0,4	Ø 170 mm	820 lm
41 035 70	ALDD240PU/DW	ALDD240PU IP44 14W 830/840 WH	14W	LED	0,6	Ø 230 mm	1170 lm
Round, DALI							
41 035 91	ALDD120PUED/DW	ALDD120PU/DW IP44 8W DALI WH	8W	LED	0,2	Ø 110 mm	500 lm
41 035 92	ALDD180PUED/DW	ALDD180PU/DW IP44 11W DALI WH	11W	LED	0,4	Ø 170 mm	820 lm
41 035 94	ALDD240PUED/DW	ALDD240PU/DW IP44 14W DALI WH	11W	LED	0,6	Ø 230 mm	1170 lm
Surface mounting frames							
41 035 73	ALDD180NU-SMF	ALDD180NU surface mnt frame WH			0,3		
41 035 71	ALDD180PU-SMF	ALDD180PU surface mnt frame WH			0,2		
41 035 72	ALDD240PU-SMF	ALDD240PU surface mnt frame WH			0,3		