

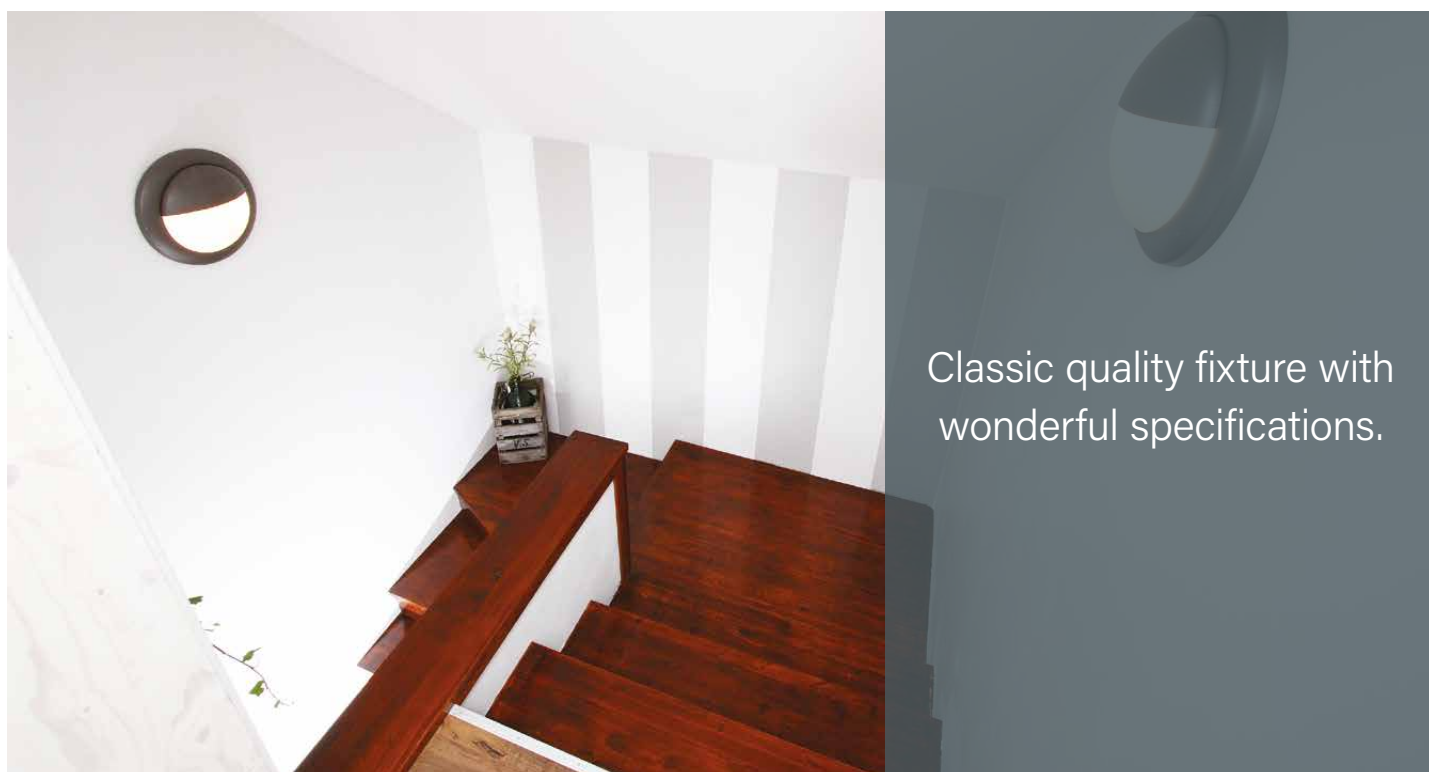


## AVR254

AVR254 LED universal luminaires are designed for both wet and dry premises. They can be used both in indoor and outdoor applications. Luminaires fit excellent for bathrooms and toilets, wardrobes, shelters, terraces and vestibules. Luminaires are available in LED, PIR and Radar models.

### Move!

Ensto Luminaires and movement detection is a base for many Smart Solutions but operate perfectly as a standalone versions as well. Ensto Move! luminaires use PIR or Radar technique, depending on your projects and demand.





AVR254 + AVL40



AVR254 + AVL41



AVR254 + AVL57

### Structure

- Diffuser opal acrylate
- Body polycarbonate
- Models:  
connected load  
7,4W (AVR254.18L), luminaire luminous flux 710 lm (3000 K), 750 lm (4000 K)  
11W (AVR254.111L), luminaire luminous flux 1000 lm (3000 K), 1100 lm (4000 K)  
Selectable colour temperature via DIP switch  
7,4W on/off, Radar- and PIR-models, luminous flux selectable via driver DIP switches  
Ra >80, power factor 0,72 (7,4W) and 0,87 (11W)  
Ambient temperature - 20 °C - + 25 °C
- LED module lifespan  $T_a=25\text{ °C}$ :  
>100 000 h (L70)  
100 000 h (L80)  
50 000 h (L90)
- LED driver lifetime  $T_a=25\text{ °C}$ :  
100 000 h (max. 10% failure rate)

### Control

- AVR254 PIR type of luminaires are sensor luminaires equipped with infra-red motion sensor (PIR) in which are settings for time (1-30 min.), sensitivity and twilight switch function
- AVR254 RADAR type of luminaires are sensor luminaires equipped with high-frequency radar to detect motion (Radar) in which are settings for time (1-30 min.), sensitivity and twilight switch function

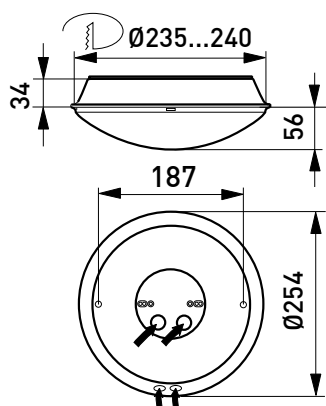
### Mounting

- To the ceiling and to the wall or partly recessed
- Recess mounting bracket AVL39 included in the packing
- Recess depth 34 mm, recess hole  $\varnothing$  240 mm, diffuser diameter  $\varnothing$  254 mm
- Snap-in terminal block 3x2,5 mm<sup>2</sup> with through wiring, PIR/RADAR models -o- 4x2,5 mm<sup>2</sup>
- Sensor luminaire models see more accurate information at website
- PIR models:  
To the ceiling max. 4 meters height  
To the wall max. 1,7-2,7 meters height
- RADAR models:  
To the ceiling max. 3,5 meters height  
To the wall 1,7- 2,7 meters height
- Suitable for stand-alone and master-slave installation
- Maximum load behind one master is 400VA, however max. 5 luminaires in the same control group
- Slave luminaires from the Ensto basic luminaire range

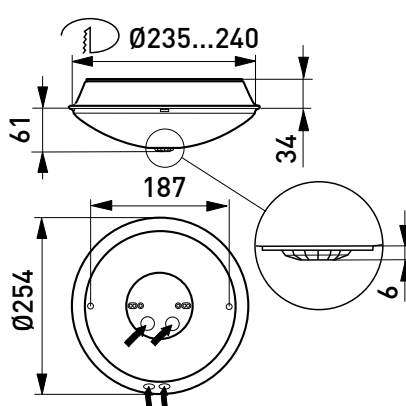
|        | Power (W)  | Luminous flux (4K) | Luminous flux (3K) |                |
|--------|------------|--------------------|--------------------|----------------|
| AVR254 | 4,6        | 470 lm             | 440 lm             |                |
| AVR254 | 5,5        | 570 lm             | 540 lm             |                |
| AVR254 | 6,4        | 670 lm             | 630 lm             |                |
| AVR254 | <b>7,4</b> | <b>750 lm</b>      | <b>710 lm</b>      | <b>Default</b> |

| E number  | Type            | Product name                 | Base | Kg  | Luminous flux | Additional information |
|---|-----------------|------------------------------|------|-----|---------------|------------------------|
| <b>AVR254 LED luminaires with electronic control gear</b> |                 |                              |      |     |               |                        |
| 41 174 68   | AVR254.18L/DW   | AVR254 IP54 7,4W/830/840     | LED  | 0,5 | 750 lm        |                        |
| 41 174 62   | AVR254.111L/DW  | AVR254 IP54 11W/830/840      | LED  | 0,5 | 1100 lm       |                        |
| <b>AVR254 LED PIR sensor luminaires</b>                   |                 |                              |      |     |               |                        |
| 41 174 70   | AVR254.184L/DW  | AVR254 IP54 7,4W/830/840 PIR | LED  | 0,5 | 750 lm        |                        |
| 41 174 64   | AVR254.1114L/DW | AVR254 IP54 11W/830/840 PIR  | LED  | 0,5 | 1100 lm       |                        |
| <b>AVR254 LED radar sensor luminaires</b>                 |                 |                              |      |     |               |                        |
| 41 174 76   | AVR254.189L/DW  | AVR254 IP54 7,4W/830/840 R   | LED  | 0,5 | 750 lm        |                        |
| 41 174 66   | AVR254.1119L/DW | AVR254 IP54 11W/830/840 R    | LED  | 0,5 | 1100 lm       |                        |

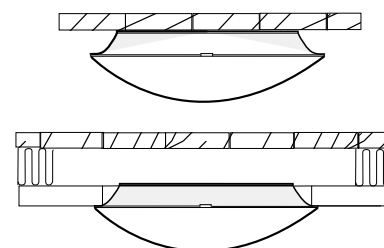
| E number   | Type     | Product name                       | Base | Kg | Luminous flux | Additional information |
|--|----------|------------------------------------|------|----|---------------|------------------------|
| <b>AVR254 decorative frame, polycarbonate</b>                  |          |                                    |      |    |               |                        |
| 41176 79   | AVL57    |                                    |      |    |               | white                  |
| <b>AVR254 decorative frame powder coated aluminium</b>         |          |                                    |      |    |               |                        |
| 41175 90   | AVL40    |                                    |      |    |               | white                  |
| <b>AVR254 anti-glare frame galvanized, powder coated steel</b> |          |                                    |      |    |               |                        |
| 41175 94   | AVL41    |                                    |      |    |               | white                  |
| <b>AVR254 cover frame polycarbonate</b>                        |          |                                    |      |    |               |                        |
| 41175 99   | AVL42    |                                    |      |    |               | white                  |
| <b>AVR254 accessories</b>                                      |          |                                    |      |    |               |                        |
| 41175 98   | AVL39    | Recessed mounting fastening AVR254 |      |    |               |                        |
| 41179 26   | AVV254   | Diffuser AVR254                    |      |    |               |                        |
| 41179 27   | AVV254.1 | Diffuser AVR254 PIR                |      |    |               |                        |



AVR254-luminaires

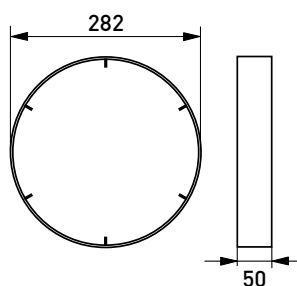


AVR254 PIR-sensor luminaires

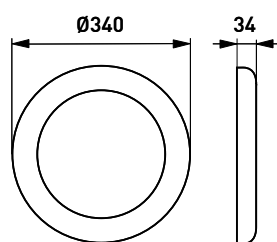


AVR254 Ø235...240

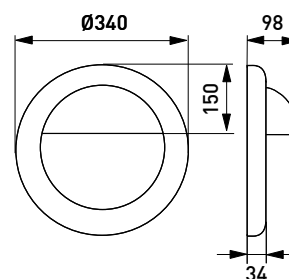
Installation picture



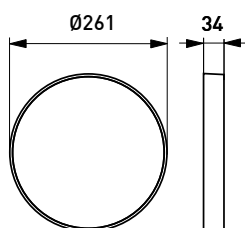
AVL57 decorative frame



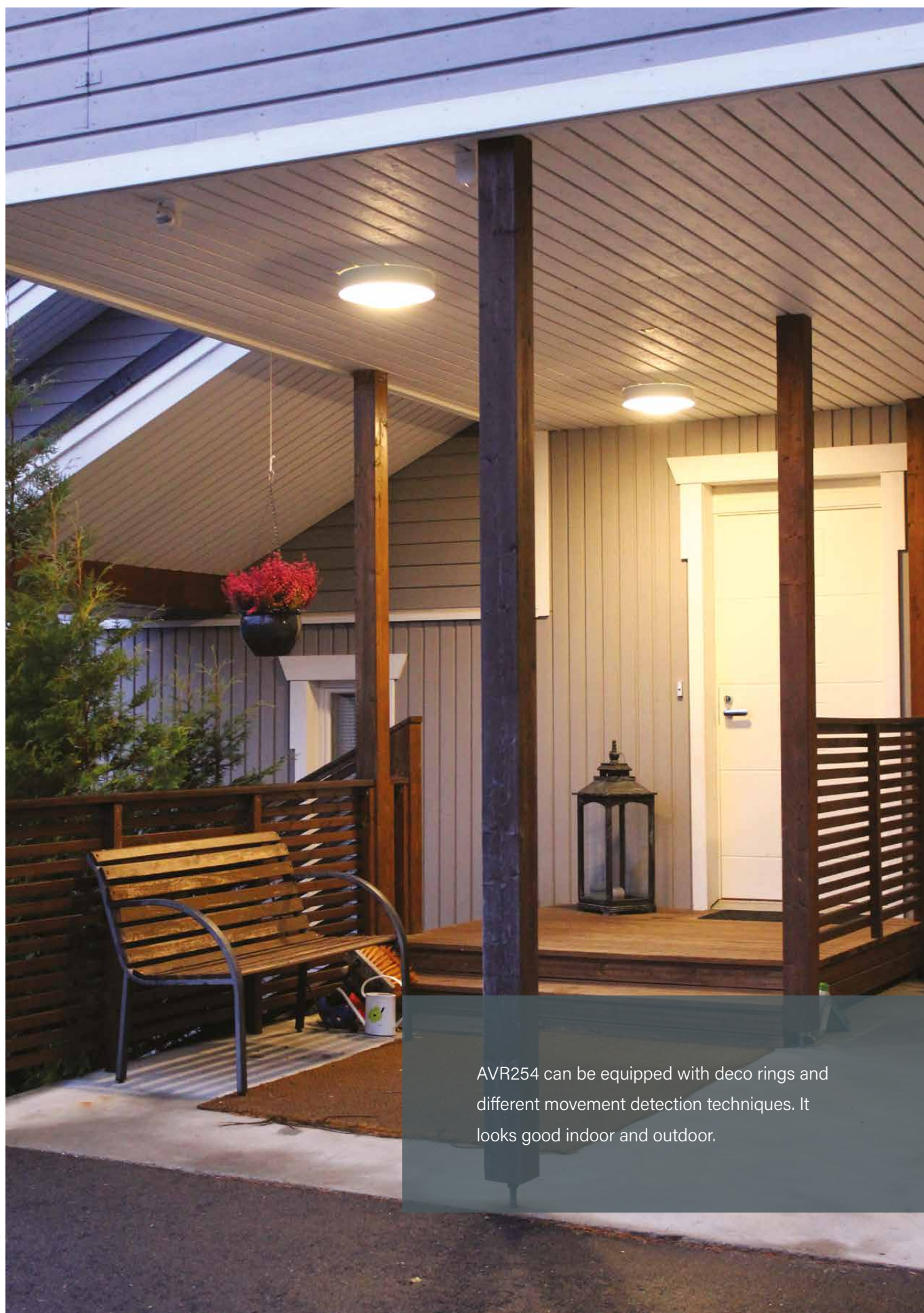
AVL40 decoration frame



AVL41 anti-glare frame



AVL42 cover frame



AVR254 can be equipped with deco rings and different movement detection techniques. It looks good indoor and outdoor.