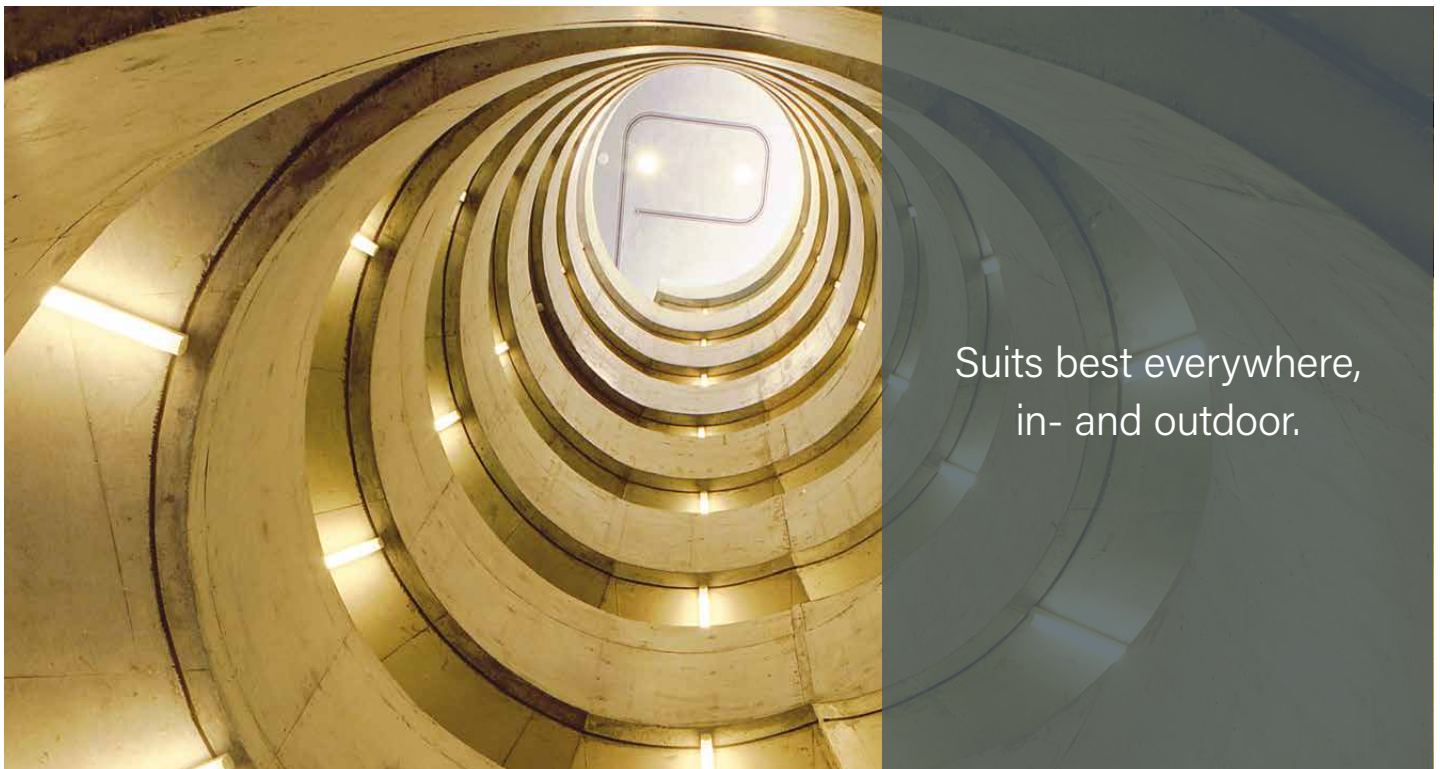


AVR66

Jono luminaires can be used widely in different lighting systems. Jono series includes a wide range of technical solutions for different needs of lighting. Jono can be used at home, in offices as well as in storages. It is an excellent luminaire in bathrooms and kitchen. It can be used as a ramp luminaire for corridors and staircases as well as in car shelters and garages.

DALI

DALI drivers enable luminaires to be connected to DALI based control systems and Smart Buildings. Compared to a fixed output installation, the dimming and individual control capability provided by DALI enables considerable energy savings and control, depending on luminaire specifications.



Suits best everywhere,
in- and outdoor.



AVR66.110LP



AVR66.1159L LED RADAR



AVR66.1104L LED PIR

Structure

- Diffuser polycarbonate
- Body aluminium
- LED models:
Connected load
10W, luminaire luminous flux 895 lm (3000 K), 950 lm (4000 K)
15W, luminaire luminous flux 1342 lm (3000 K), 1425 lm (4000 K)
20W, luminaire luminous flux 1790 lm (3000 K), 1900 lm (4000 K)
25W, luminaire luminous flux 2920 lm (3000 K), 3100 lm (4000 K)
3000 K and 4000 K, Ra > 80, power factor 0,94
- Ambient temperature - 20 °C - + 25 °C
- LED module lifespan $T_a=25\text{ °C}$:
>100 000 h (L70)
100 000 h (L80)
71 000 h (L90)
- LED driver lifetime $T_a=25\text{ °C}$:
100 000 h (max. 10% failure rate)

Control

- AVR66 PIR type of luminaires are sensor luminaires equipped with infra-red motion sensor (PIR) in which are settings for time (1-30 min.), sensitivity and twilight switch function
- AVR66 RADAR type of luminaires are sensor luminaires equipped with high-frequency radar to detect motion (Radar) in which are settings for time (1-30 min.), sensitivity and twilight switch function
- DALI
- Switch-control

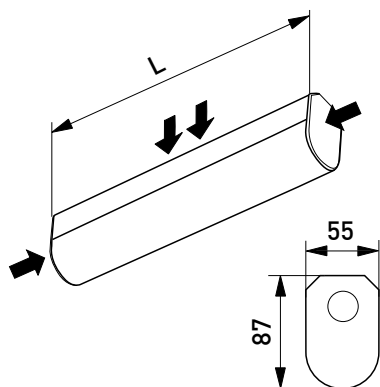
Mounting

- To the ceiling and to the wall
- Snap-in terminal block 5x2,5 mm² with through wiring, PIR/RADAR models -o- 5x2,5 mm²
- Sensor luminaire models see more accurate information at website
- PIR models:
To the ceiling max. 4 meters height
To the wall max. 1,7-2,7 meters height
- RADAR models:
To the ceiling max. 3,5 meters height
To the wall 1,7- 2,7 meters height
- Suitable for stand-alone and master-slave installation
Maximum load behind one master is 400VA, however max. 5 luminaires in the same control group
Slave luminaires from the Ensto basic luminaire range

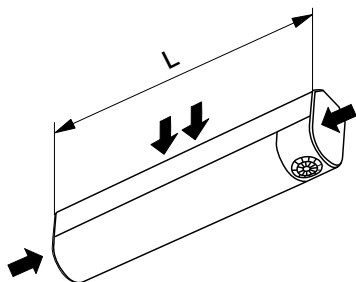
E number	Type	Product name	Base	Kg	Length	Luminous flux	Additional information
LED Jono							
42 176 01	AVR66.110L	AVR66 IP44 LED10W/840 E	LED	0,8	600	950 lm	
42 176 17	AVR66.110L/3K	AVR66 IP44 LED10W/830 E	LED	0,8	600	895 lm	
42 176 40	AVR66.115L	AVR66 IP44 LED15W/840 E	LED	1,2	900	1425 lm	
42 176 57	AVR66.115L/3K	AVR66 IP44 LED15W/830 E	LED	1,2	900	1342 lm	
42 179 16	AVR66.120L	AVR66 IP44 LED20W/840 E	LED	1,6	1200	1900 lm	
42 179 45	AVR66.120L/3K	AVR66 IP44 LED20W/830 E	LED	1,6	1200	1790 lm	
42 605 98	AVR66.127L	AVR66 IP44 LED27W/840 PC 0	LED	1,8	1200	3145 lm	
42 175 92	AVR66.127L/3K	AVR66 IP44 LED27W/830 PC 0	LED	1,8	1200	2990 lm	
42 601 58	AVR66.125L	AVR66 IP44 25W/840 PC0	LED	1,5	1500	3100 lm	
42 601 59	AVR66.125L/3K	AVR66 IP44 25W/830 PC0	LED	1,5	1500	2920 lm	
LED Jono aluminium colour							
42 176 29	AVR66.110LAL/3K	AVR66 IP44 LED10W/830 EAL	LED	0,8	600	895 lm	

E number	Type	Product name	Base	Kg	Length	Luminous flux	Additional information
LED Jono with switch							
42 176 05	AVR66.1101L	AVR66 IP44 LED10W/840 E1	LED	0,9	644	950 lm	
42 176 20	AVR66.1101L/3K	AVR66 IP44 LED10W/830 E1	LED	0,9	644	895 lm	
42 176 41	AVR66.1151L	AVR66 IP44 LED15W/840 E1	LED	1,3	944	1425 lm	
42 176 59	AVR66.1151L/3K	AVR66 IP44 LED15W/830 E1	LED	1,3	944	1342 lm	
LED Jono with switch, aluminium colour							
42 176 31	AVR66.1101LAL/3K	AVR66 IP44 LED10W/830 E1AL	LED	0,9	644	895 lm	
LED Jono with socket-outlet							
42 176 07	AVR66.110LP	AVR66 IP44 LED10W/840 EP	LED	0,9	677	950 lm	
42 176 22	AVR66.110LP/3K	AVR66 IP44 LED10W/830 EP	LED	0,9	677	895 lm	
42 176 43	AVR66.115LP	AVR66 IP44 LED15W/840 EP	LED	1,3	977	1425 lm	
42 176 61	AVR66.115LP/3K	AVR66 IP44 LED15W/830 EP	LED	1,3	977	1342 lm	
LED Jono with socket-outlet, aluminium colour							
42 176 32	AVR66.110LPAL/3K	AVR66 IP44 LED10W/830 EPAL	LED	0,9	677	895 lm	
LED jono with socket-outlet and switch							
42 176 10	AVR66.1101LP	AVR66 IP44 LED10W/840 E1P	LED	1,0	721	950 lm	
42 176 23	AVR66.1101LP/3K	AVR66 IP44 LED10W/830 E1P	LED	1,0	721	895 lm	
42 176 44	AVR66.1151LP	AVR66 IP44 LED15W/840 E1P	LED	1,4	1021	1425 lm	
42 176 63	AVR66.1151LP/3K	AVR66 IP44 LED15W/830 E1P	LED	1,4	1021	1342 lm	
42 179 17	AVR66.1201LP	AVR66 IP44 LED20W/840 E1P	LED	1,9	1321	1900 lm	
42 179 46	AVR66.1201LP/3K	AVR66 IP44 LED20W/830 E1P	LED	1,9	1321	1790 lm	
LED jono with socket-outlet and switch, aluminium colour							
42 176 34	AVR66.1101LPAL/3K	AVR66 IP44 LED10W/830 E1PAL	LED	1,0	721	895 lm	
LED Jono DALI							
42 175 79	AVR66.110DDL	AVR66 IP44 LED10W/840 DALI	LED	0,8	600	950 lm	DALI, Switch dim
42 175 80	AVR66.110DDL/3K	AVR66 IP44 LED10W/830 DALI	LED	0,8	600	895 lm	DALI, Switch dim
42 176 55	AVR66.115DDL	AVR66 IP44 LED15W/840 DALI	LED	1,2	900	1425 lm	DALI, Switch dim
42 176 69	AVR66.115DDL/3K	AVR66 IP44 LED15W/830 DALI	LED	1,2	900	1342 lm	DALI, Switch dim
42 179 29	AVR66.120DDL	AVR66 IP44 LED20W/840 DALI	LED	1,8	1200	1900 lm	DALI, Switch dim
42 179 98	AVR66.120DDL/3K	AVR66 IP44 LED20W/830 DALI	LED	1,8	1200	1790 lm	DALI, Switch dim
LED Jono with sensor							
42 176 11	AVR66.1104L	AVR66 IP44 LED10W/840 EPIR	LED	1,0	656	950 lm	
42 176 25	AVR66.1104L/3K	AVR66 IP44 LED10W/830 EPIR	LED	1,0	656	895 lm	
42 176 16	AVR66.1109L	AVR66 IP44 LED10W/840 ERAD	LED	1,0	656	950 lm	
42 176 28	AVR66.1109L/3K	AVR66 IP44 LED10W/830 ERAD	LED	1,0	656	895 lm	
42 176 46	AVR66.1154L	AVR66 IP44 LED15W/840 EPIR	LED	1,4	956	1425 lm	
42 176 65	AVR66.1154L/3K	AVR66 IP44 LED15W/830 EPIR	LED	1,4	956	1342 lm	
42 176 49	AVR66.1159L	AVR66 IP44 LED15W/840 ERAD	LED	1,4	956	1425 lm	
42 176 67	AVR66.1159L/3K	AVR66 IP44 LED15W/830 ERAD	LED	1,4	956	1342 lm	
42 179 18	AVR66.1204L	AVR66 IP44 LED20W/840 EPIR	LED	1,8	1256	1900 lm	
42 179 47	AVR66.1204L/3K	AVR66 IP44 LED20W/830 EPIR	LED	1,8	1256	1790 lm	
42 179 19	AVR66.1209L	AVR66 IP44 LED20W/840 ERAD	LED	1,8	1256	1900 lm	
42 179 48	AVR66.1209L/3K	AVR66 IP44 LED20W/830 ERAD	LED	1,8	1256	1790 lm	
42 605 99	AVR66.1274L	AVR66 IP44 LED 27W/840 PC O PIR	LED	2,0	1256	3145 lm	
42 175 93	AVR66.1274L/3K	AVR66 IP44 LED 27W/830 PC O PIR	LED	2,0	1256	2990 lm	
LED Jono with sensor, aluminium colour							
42 176 35	AVR66.1104LAL/3K	AVR66 IP44 LED10W/830 EPIRAL	LED	1,0	656	895 lm	
42 176 38	AVR66.1109LAL/3K	AVR66 IP44 LED10W/830 ERADAL	LED	1,0	656	895 lm	

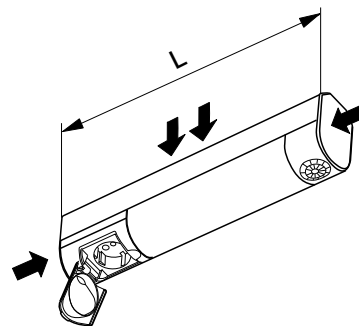
E number	Type	Product name	Base	Kg	Length	Luminous flux	Additional information
LED Jono with PIR sensor and socket-outlet							
42 176 13	AVR66.1104LP	AVR66 IP44 LED10W/840 EPIRP	LED	1,1	733	950 lm	
42 176 26	AVR66.1104LP/3K	AVR66 IP44 LED10W/830 EPIRP	LED	1,1	733	895 lm	
42 176 47	AVR66.1154LP	AVR66 IP44 LED15W/840 EPIRP	LED	1,5	1033	1425 lm	
42 176 66	AVR66.1154LP/3K	AVR66 IP44 LED15W/830 EPIRP	LED	1,5	1033	1342 lm	
LED Jono with PIR sensor and socket-outlet, aluminium colour							
42 176 37	AVR66.1104LPAL/3K	AVR66 IP44 LED10W/830 EPIRPAL	LED	1,1	733	895 lm	
LED Jono with 1 hour battery back-up							
42 179 43	AVR66.120L/1M	AVR66 IP44 LED20W/840 E1M	LED	1,9	1200	1900 lm	
LED Jono module-sized with socket-outlet							
42 903 09	AVR66.1560LP	AVR66 IP44 LED7W/840 SO 560	LED	1,0	560	650 lm	
42 903 00	AVR66.1600LP	AVR66 IP44 LED7W/840 SO 600	LED	1,0	600	650 lm	
42 903 12	AVR66.1900LP	AVR66 IP44 LED10W/840 SO 900	LED	1,2	900	1050 lm	
LED Jono module-sized with socket-outlet and dust cover							
42 903 03	AVR66.1500LPZ	AVR66 IP44 LED7W/840 SODUC500	LED	1,5	500	650 lm	
42 903 06	AVR66.1550LPZ	AVR66 IP44 LED7W/840 SODUC550	LED	1,7	550	650 lm	
42 903 55	AVR66.1600LPZ	AVR66 IP44 LED 7W/840 SO DUC	LED	1,8	600	650 lm	
42 903 56	AVR66.1900LPZ	AVR66 IP44 LED 10W/840 SO DUC	LED	2,5	900	1050 lm	
Jono accessories							
42 175 59	AVL605	Bracket					
42 174 53	AVL608	90° angle connector pair for JONO AVR66					
41 170 03	AVL620	Socket kit for AVR66					
41 170 04	AVL621	Socket center part AVL621					
42 175 66	AVL641	Diffuser 479 mm AVR66 Jono					
42 175 68	AVL642	Diffuser 631 mm AVR66 Jono					
42 175 69	AVL643	Diffuser 936 mm AVR66 Jono					
42 175 71	AVL644	Diffuser 1241 mm AVR66 Jono					
42 175 72	AVL645	Diffuser 1541 mm AVR66 Jono					
26 210 02	AVL102	PIR sensor					
26 212 86	AVL969	AVR66 HF radar mounting kit					
42 178 40	AVL619.600	Dustcoverplate L=594					
42 178 42	AVL619.900	Dustcoverplate L=894					



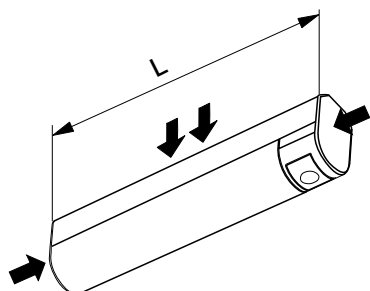
Jono and Jono Radar



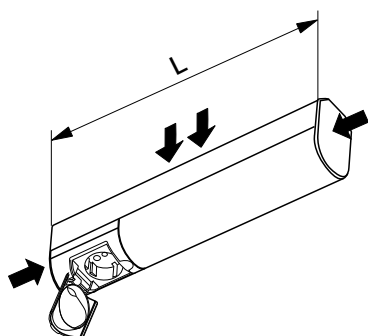
Jono PIR



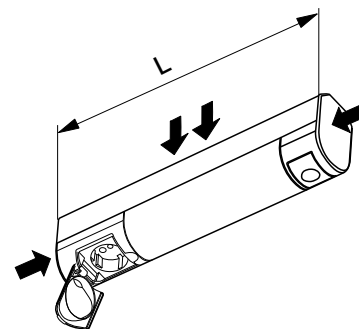
Jono PIR and socket outlet



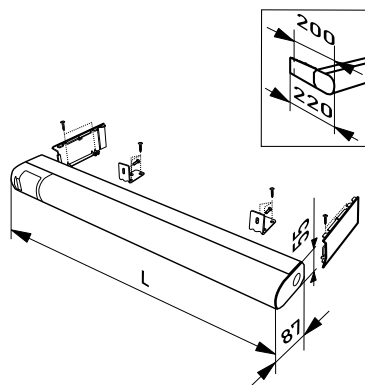
Jono with switch



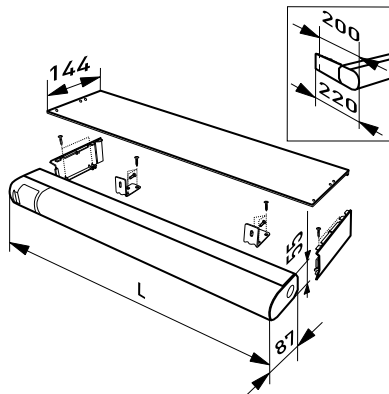
Jono with socket outlet and
Jono with socket outlet and circuitbreaker



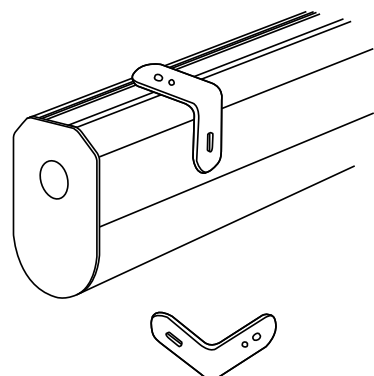
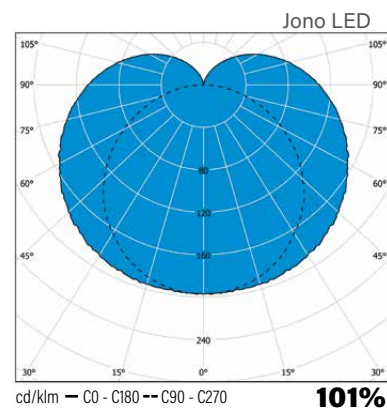
Jono with socket outlet and switch



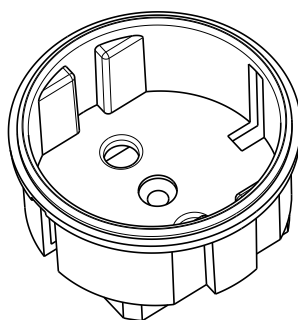
Module sized Jono with socket outlet



Module sized Jono with socket outlet
and dust cover



AVL608



AVL621



AVR66 can be used at home, in offices as well as in storages. It is an excellent luminaire in bathrooms and kitchen. It can be used as a ramp luminaire for corridors and staircases as well as in car shelters and garages.