



AC600LEDHH



## CAMILLO

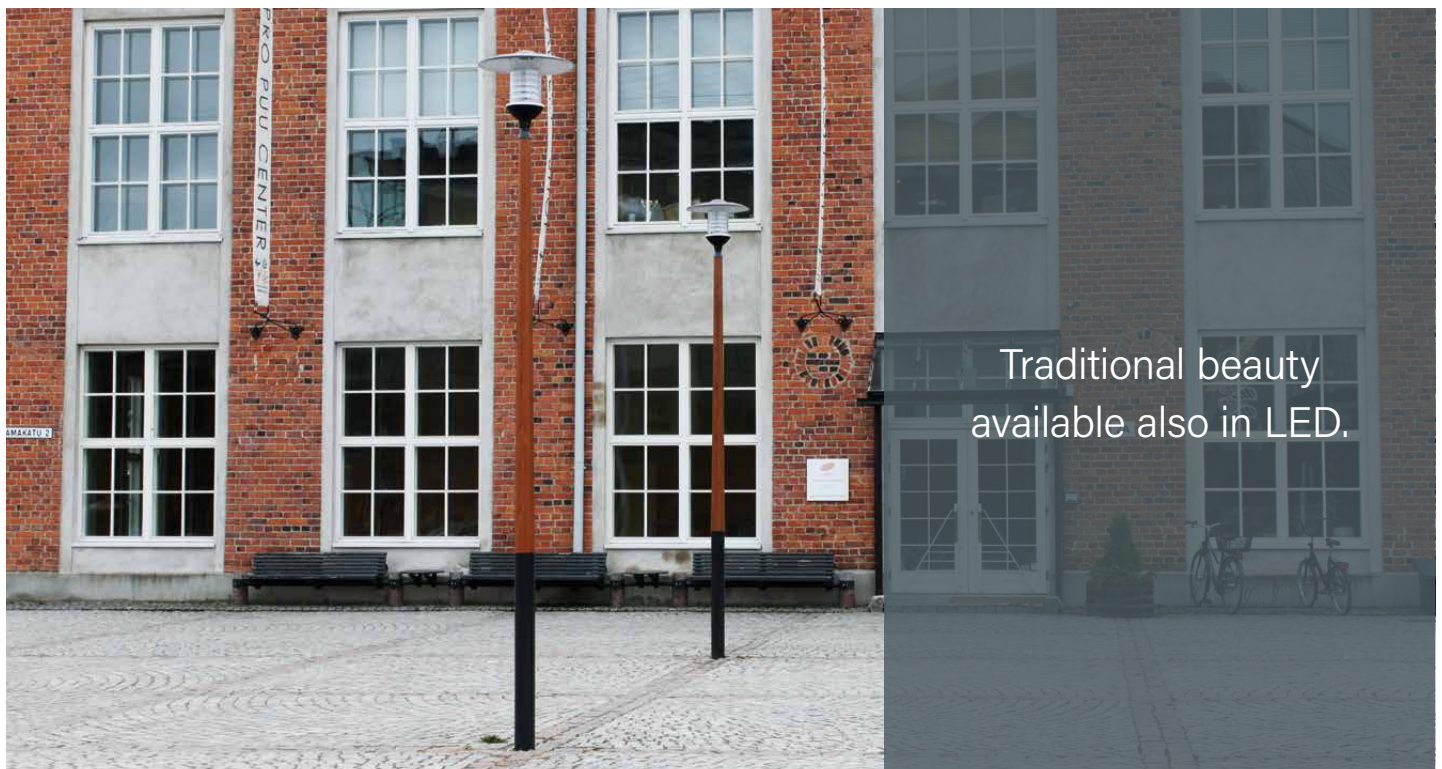
Camillo is a traditional post-top luminaire for garden, available in LED and discharge lamp models. Camillo can be used in various outdoor applications like large gardens and market squares, pedestrian areas, parks, parking areas and playgrounds.

### DALI

DALI drivers enable luminaires to be connected to DALI based control systems and Smart Buildings. Compared to a fixed output installation, the dimming and individual control capability provided by DALI enables considerable energy savings and control, depending on luminaire specifications.

### BaseDim

Ensto BaseDim solution makes energy saving easy without compromising safety or area lighting. BaseDim drops light output 50% during 8 hours in dark time. It's automatic and simple, but gives you benefits in energy saving.



Traditional beauty  
available also in LED.



AC600LEDM

### Structure

- White anti-glare rings powder coated aluminium
- In LED models acrylic frosted diffuser inside the anti-glare rings
- Diffuser shock and UV resistant polycarbonate
- Hat used as reflector and base of the luminaire power coated aluminium
- Integrated gear tray inside the luminaire body
- Camillo LED:
  - Connected load 35W, luminaire luminous flux 3366 lm
  - 4000 K, Ra > 70, power factor 0,98
  - Ambient temperature - 25 °C - + 30 °C
- LED module lifespan  $T_a=25\text{ °C}$ :
  - >100 000 h (L70)
  - 100 000 h (L80)
  - 71 000 h (L90)
- LED driver lifetime  $T_a=25\text{ °C}$ :
  - 100 000 h (max. 10 % failure rate)
- With Bi-power function. The luminaire switches automatically (factory setting) to lower power level 50% for 8 hours. (3 hours before and 5 hours after the calculated midnight)

### Mounting

- On  $\varnothing$  60 mm column or stepped column  $\varnothing$  60 mm
- Recommended mounting height 3-5 m
- LED models with connection lead 4,5 m VSKN 3x1,5 mm<sup>2</sup> included in the delivery

### Made to order

- LED models with DALI
- Special colours
- Columns from Tehomet selection:
 

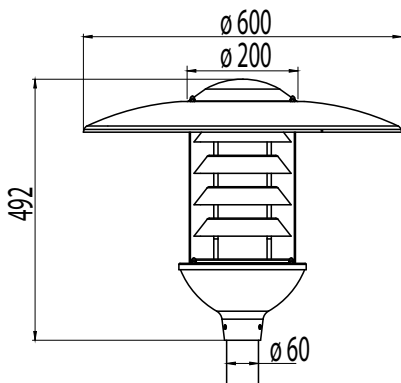
Stepped columns	Conical columns
OH3/108 + colour	KH3/108 + colour
OH4/108 + colour	KH4/108 + colour
OH5/108 + colour	KH5/121 + colour
OH6/108 + colour	KH6/136 + colour

Colours: RAL 9006 (pearl grey) and RAL 9011 (black)

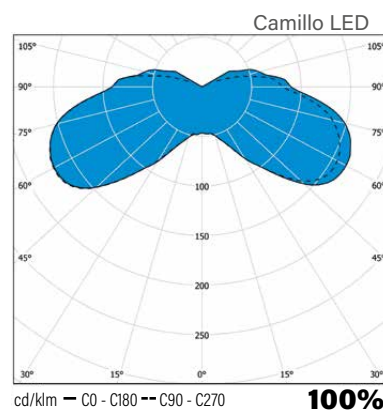
O = stepped columns, K = conical columns

H3 = height above the ground (f.ex. 3 m)  
/108 = diameter of the base

Top of the column is always  $\varnothing$  60 mm. Besides the height above the ground to the overall height of column an additional + 500 mm is calculated, which goes to base. All columns have a coupling space. Surface-treatment hot dip galvanized and power coated.
- SK-6 wall arms available for wall installations
- Helvar NightDim



Camillo LED



E Number	Type	Product name	Base	Colour	Kg
<b>Camillo LED</b>					
45 030 77	AC600LEDHH	AC600LEDHH 35W/840 F AC HH	LED	grey/white anti-glare rings	5,5
45 030 79	AC600LEDM	AC600LEDM 35W/840 F AC MU	LED	black/white anti-glare rings	5,5
<b>Camillo LED with Bi-power power reduction</b>					
45 030 98	AC600LEDBPHH	AC600LEDBPHH 31W/840 BP AC HH	LED	grey/white anti-glare rings	5,5
45 030 99	AC600LEBPDM	AC600LEDBPM 31W/840 BP F AC MU	LED	black/white anti-glare rings	5,5
<b>Columns <math>\varnothing</math> 60 mm</b>			<b>Height m</b>		
46 031 00	VP350060/M5	VP350060/M5 3.5M 60MM GR	3,5	grey	10,2
46 031 03	VP350060/M2	VP350060/M2 3.5M 60MM BK	3,5	black	10,2
46 031 06	VP350060/M1	VP350060/M1 3.5M 60MM WH	3,5	white	10,2
<b>Glare Covers</b>					
45 033 60	AVL956	Camillo glare cover plate 120° HH		grey	0,35
45 033 61	AVL957	Camillo glare cover plate 120° M		black	0,35