



## HB360

HB360 is suitable for high warehouse and production facilities, where efficient and high quality light is needed. Versatile installation possibilities, optical solutions and efficient lumen packages make HB360 an excellent choice for industrial lighting.

### Optics

Ensto luminaires include variable possibilities for optical solutions to choose from. Symmetric, wide and many others, our product families have several options for light distribution and output to fit your project and demand.

### DALI

DALI drivers enable luminaires to be connected to DALI based control systems and Smart Buildings. Compared to a fixed output installation, the dimming and individual control capability provided by DALI enables considerable energy savings and control, depending on luminaire specifications.



An excellent choice for new industry premises or replacing old metal halide luminaires.



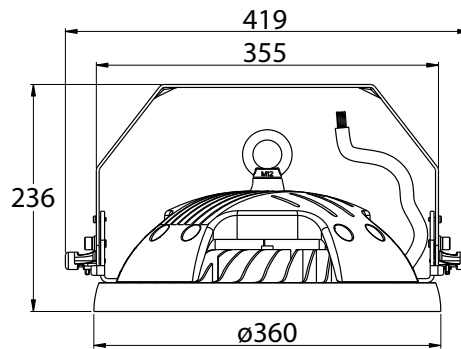
HB360 bracket (included)



HB360 wire or chain ring (included)



Bracket adjustment in 15° steps

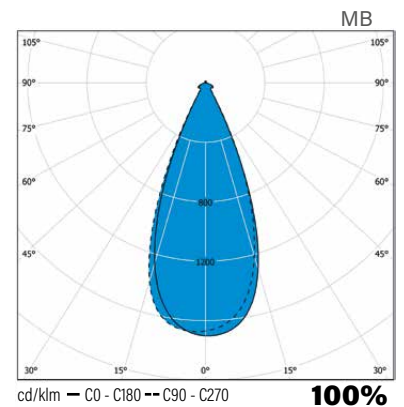
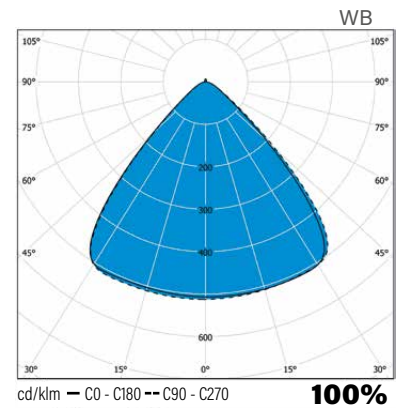


### Mounting

- Bracket mounting on ceiling or wall (bracket included)
- Ring for wire or chain installation include
- 1,5 m 5x1,5 mm<sup>2</sup> connection lead H07RN-F included
- Bracket angle adjustable in 15° steps
- Mounting height up to 20 meters depending on the premises.

### Structure

- Body powder coated die-cast aluminium
- Lens optics polycarbonate
- Optics:
  - Wide beam angle (WB) 90°
  - Middle beam angle (MB) 50°
- Power: 103W, 140W or 198W
- DALI
- 4000 K, power factor 0,95, Ra>80
- Ambient temperature range -30 °C to +55 °C
- LED luminaire lifespan:
  - 100 000h L70B50 T<sub>a</sub>=25°C
  - 50 000h L70B50 T<sub>a</sub>=35°C



Luminaires per miniature circuit breaker	B10	B16	C10	C16
HB360.100WBED	-	3	-	6
HB360.100MBED	-	3	-	6
HB360.150WBED	-	3	-	6
HB360.150MBED	-	3	-	6
HB360.200WBED	-	3	-	6
HB360.200MBED	-	3	-	6

E number	Type	Product name	Output	Kg	Diameter	Height	Light distribution	Luminous flux
<b>Wide beam angle optics 90°</b>								
43 605 68	HB360.100WBED	HB360.100WBED LED IP65 103W/840	103W	6,7	360	189	WB	13500 lm
43 605 71	HB360.150WBED	HB360.150WBED LED IP65 140W/840	140W	6,7	360	189	WB	19200 lm
43 605 74	HB360.200WBED	HB360.200WBED LED IP65 198W/840	198W	6,9	360	189	WB	25000 lm
<b>Medium beam angle optics 50°</b>								
43 605 66	HB360.100MBED	HB360.100MBED LED IP65 103W/840	103W	6,7	360	189	MB	13500 lm
43 605 69	HB360.150MBED	HB360.150MBED LED IP65 140W/840	140W	6,7	360	189	MB	19200 lm
43 605 72	HB360.200MBED	HB360.200MBED LED IP65 198W/840	198W	6,9	360	189	MB	25000 lm