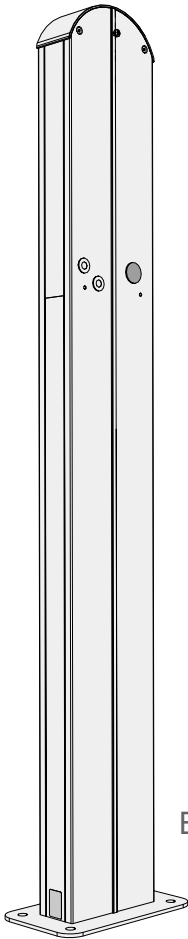
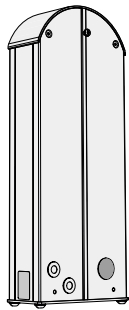


Mounting Kit for Ensto NXT Charging Stations



EVTL57.00



EVTL55.00

EN Installation Instructions

Contents

Installation Instructions

1. Introduction.....	3
2. Safety instructions.....	3
3. Description of symbols.....	3
4. Delivery content.....	3
4.1. Mounting accessories.....	4
5. Accessories.....	7
6. Mounting instructions.....	7
6.1. Before installation.....	7
6.2. Disassemble the EVTL55.00 / EVTL57.00.....	8
6.3. Mount the adapter EVTL55.00 on the pole.....	9
6.4. Attach the charging station to the EVTL55.00 / EVTL57.00.....	10
6.4.1. Cable entries.....	10
6.4.2. Installation steps.....	11
7. Wiring instructions.....	13
7.1. Connection cable.....	13
7.2. Wiring example.....	14
8. Ground / Floor mounting examples.....	16
8.1. Mounting on concrete foundation.....	16
8.2. Mounting on concrete casting.....	17
8.3. Mounting on Unimi Concrete Foundation.....	18
8.4. Ground mounting on pole Ø 60mm.....	20
9. Dimension drawings.....	20
10. Technical information.....	22
11. Installation / Commissioning checklist.....	23

Installation Instructions

1. Introduction

- The pole adapter EVTL55.00 and pedestal EVTL57.00 are designed for Ensto NXT, Ensto One and Ensto One Home charging station families.
- The pole adapter and pedestal are double-sided, so you can install one or two charging stations to them.

2. Safety instructions



Electrically skilled person

- The installation must only be done by a qualified professional.
- Read these instructions carefully before you start the installation work.
- Obey the instructions in this manual and make sure that the installation complies with national safety regulations, installation methods and restrictions.
- The information provided in this manual in no way exempts the installer or user from responsibility to obey all applicable safety regulations.
- Keep this manual for future reference.



WARNING

Danger of electric shock! Risk of fire!

- ***Improper installation can cause personal injury and property damage.***
- ***Do not switch on the power supply before the installation work is completed.***

3. Description of symbols











	WARNING - Indicates a hazard with a medium level of risk which, if not avoided, could result in death or serious injury or considerable damage to the equipment.
	Electrically skilled person is a person with relevant education and experience to enable him or her to perceive risks and to avoid hazards that electricity can create.

4. Delivery content

- Pole adapter EVTL55.00 or pedestal EVTL57.00
- Mounting accessories
- Installation Instructions in English, other languages please see www.legrand.com



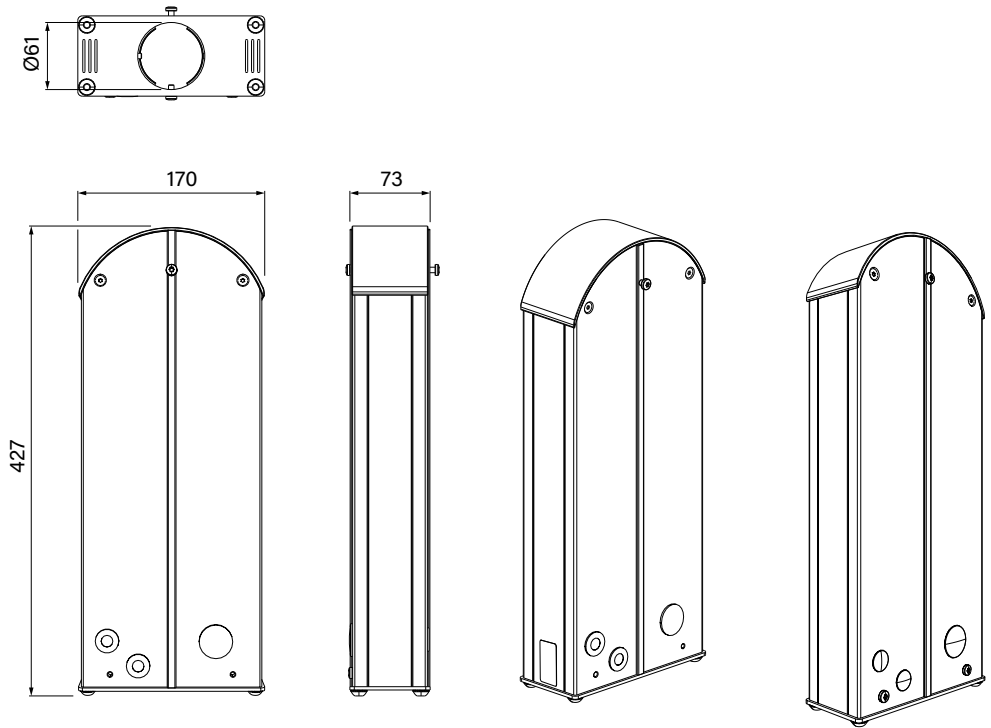
4.1. Mounting accessories

Item	Description and use	Quantity
	Screw M5x20 <ul style="list-style-type: none"> Fasten the charging station to the pole adapter EVTL55.00 or pedestal EVTL57.00 	2
	Screw M5x10 <ul style="list-style-type: none"> Fasten the pole adapter EVTL55.00 to pole 	4
 KE10.1	Branching connector max. 4 conductors <ul style="list-style-type: none"> Branch L1, L2, L3 and N 	4
 KE10.3	Branching connector max. 6 conductors <ul style="list-style-type: none"> Branch PE 	1
 PMR1217.32B	Cover plug for M32 opening <ul style="list-style-type: none"> Close the cable entry at the bottom of the charging station 	2
	Membrane entry grommet for 16mm hole <ul style="list-style-type: none"> For Ethernet cable when installing two charging stations 	2
	Membrane entry grommet for cable Ø 15-20mm <ul style="list-style-type: none"> For supply cable when installing two charging stations 	1
	Cover cap for M5 screw head <ul style="list-style-type: none"> To insulate fastening screws inside the charging station 	4
	Membrane gasket for cable Ø 12 - 24mm <ul style="list-style-type: none"> For supply cable when installing Ensto One and Ensto One Home, see the charging station manuals 	2
	Membrane gasket for cable Ø 5 - 10mm <ul style="list-style-type: none"> For Ethernet cable when installing Ensto One and Ensto One Home, see the charging station manuals 	4

EVTL55.00

Adapter for a $\varnothing 60\text{mm}$ pole

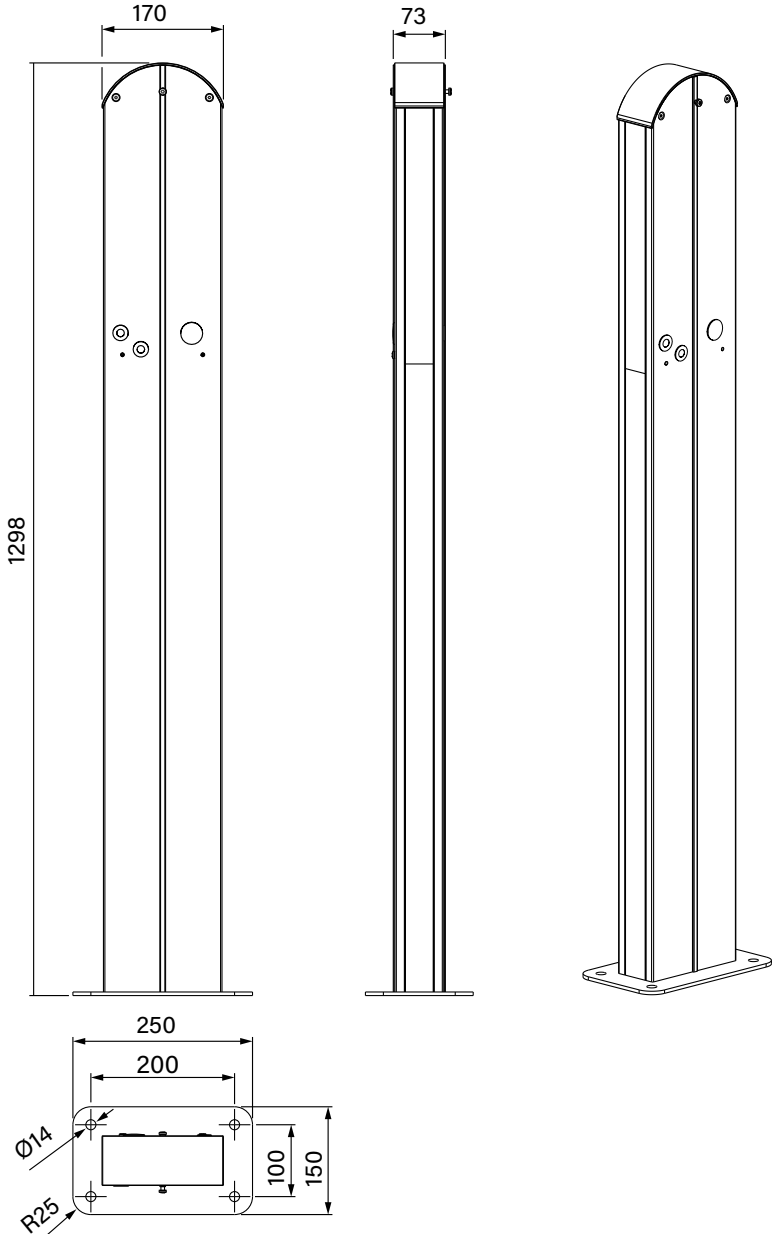
Inside the adapter is a compartment for electrical connections.



EVTL57.00

Pedestal for ground / floor mounting

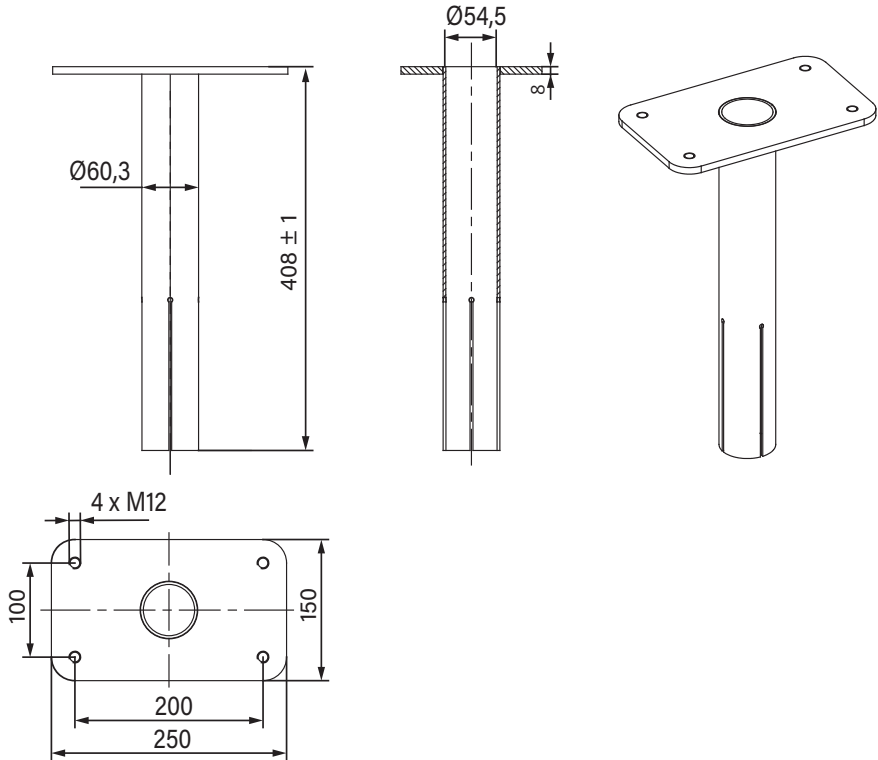
Inside the pole is a metal conduit \varnothing 60mm for electrical cable routing and a compartment for electrical connections.



5. Accessories

EVTL44.00

Adapter for ground mounting



6. Mounting instructions

6.1. Before installation

Remove the EVTL55.00 / EVTL57.00 from its package. Do not scratch the surface of the item after removal from the package.

When selecting installation site, take into consideration the following:

- For ground / floor mounting you must have accessories depending on the mounting site and method.
- The charging station is applicable for indoor and outdoor use.
- High ambient temperatures and direct strong sunlight may limit the charging capacity of the charging station.
- The minimum space necessary for operating and maintenance.
- Obey national regulations and site requirements.



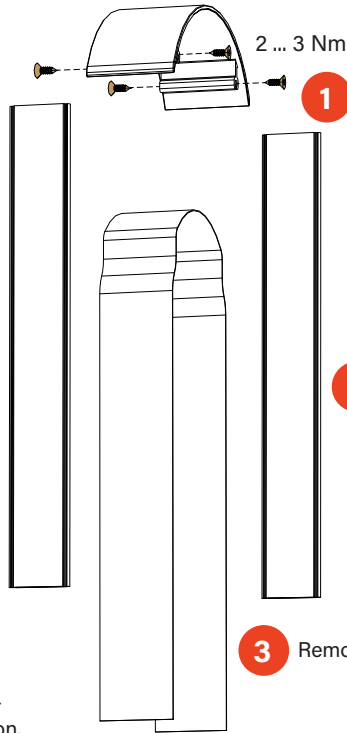
6.2. Disassemble the EVTL55.00 / EVTL57.00

Installation steps

This figure shows the disassembly of the pole adapter EVTL55.00.

The disassembly of the pedestal EVTL57.00 follows the same installation steps.

All the removed parts are necessary when you assemble the EVTL55.00 / EVTL57.00.



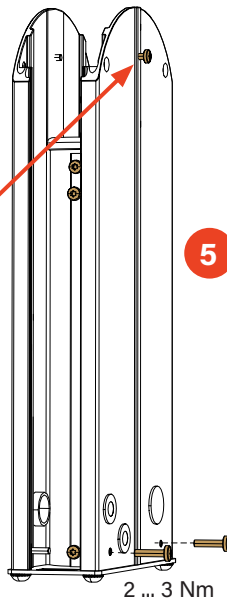
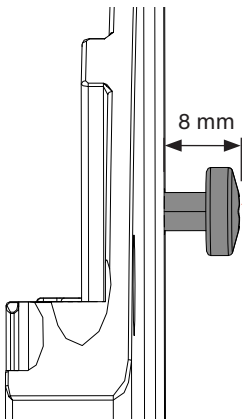
1 Remove the top cover fastening screws 4 pcs. Remove the top cover.

2 Remove the side profiles 2 pcs.

3 Remove the plastic insulation.

4 The screw on one side is pre-installed to the correct position.

When you install a charging station to both sides, unscrew the screw on the other side to the same measure. We recommend that you use thread-locking compound.



5 Installing one charging station:

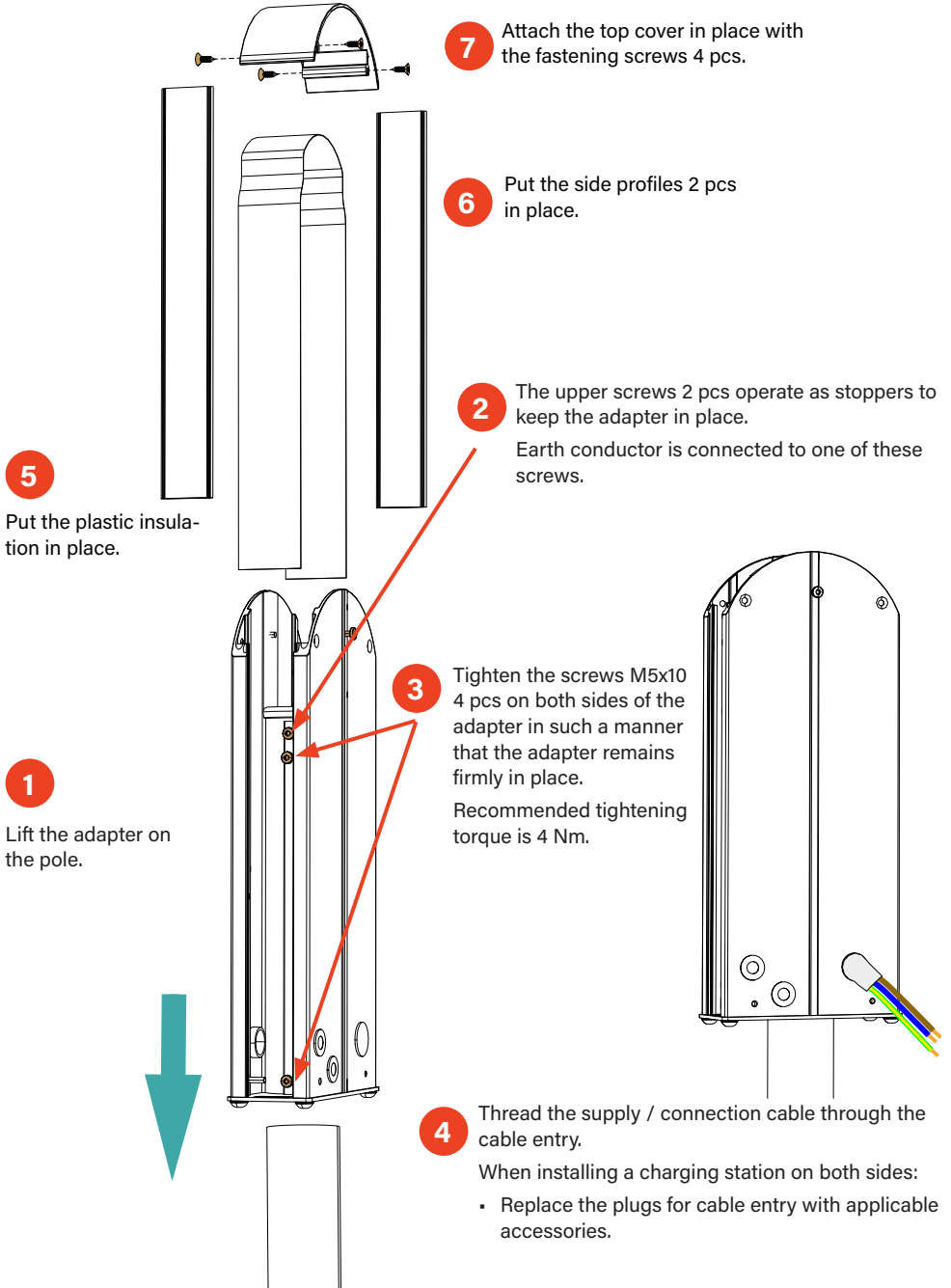
- The fastening screws 2 pcs are in the included accessory bag.

Installing a charging station on both sides:

- Remove the fastening screws 2 pcs.
- These screws are necessary when you attach the charging station to the EVTL55.00 / EVTL57.00.

6.3. Mount the adapter EVTL55.00 to the pole

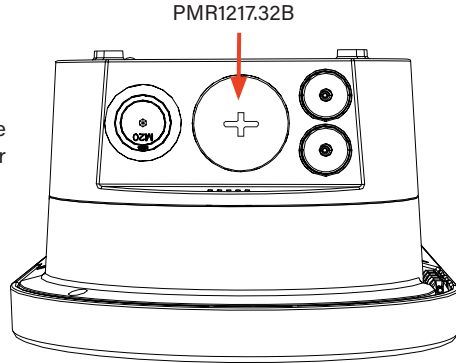
Installation steps



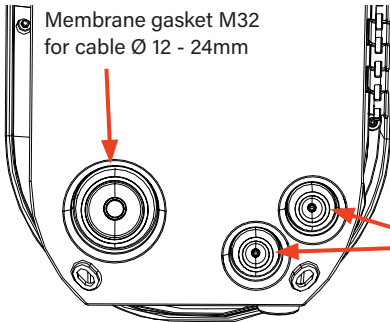
6.4. Attach the charging station to the EVTL55.00 / EVTL57.00

6.4.1. Cable entries

Remove the pre-installed cable gland from the bottom and close the cable entry with a cover plug PMR1217.32B (included).



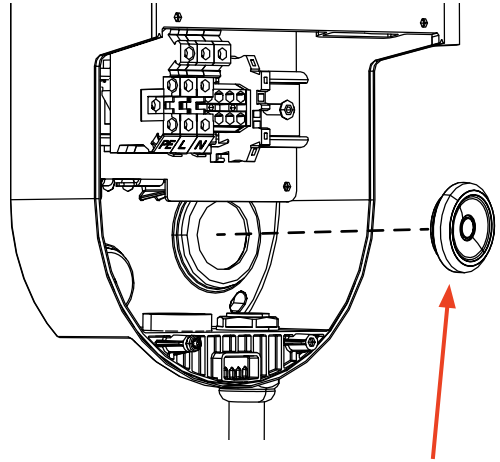
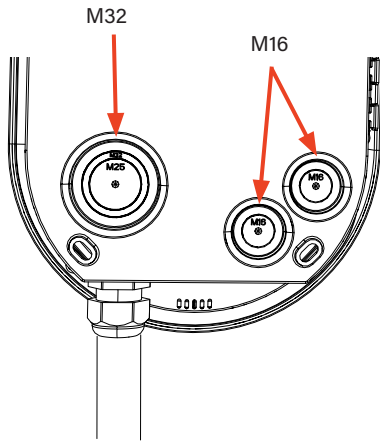
Ensto NXT



Route the supply cable and possible data cables through the membrane gaskets on the rear.

Ensto One and Ensto One Home

- 1 Open the cable entry M32 for supply / connection cable with a step drill bit.
Open the cable entry M16, if necessary.

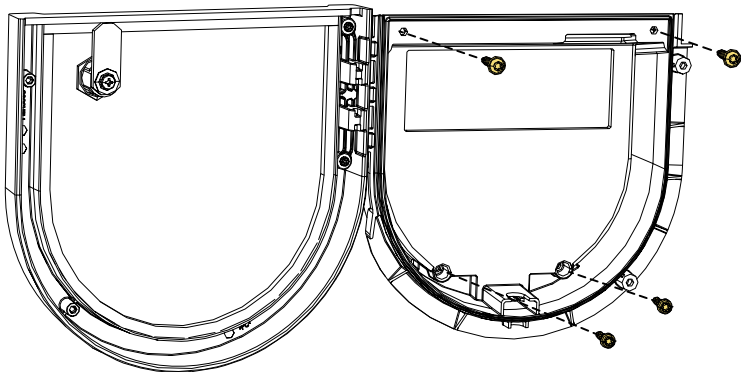


- 2 Install the included membrane gasket to the M32 opening.
Install the included membrane gaskets to the M16 openings, if necessary.

For more detailed instructions, see the charging station installation manual.

6.4.2. Installation steps

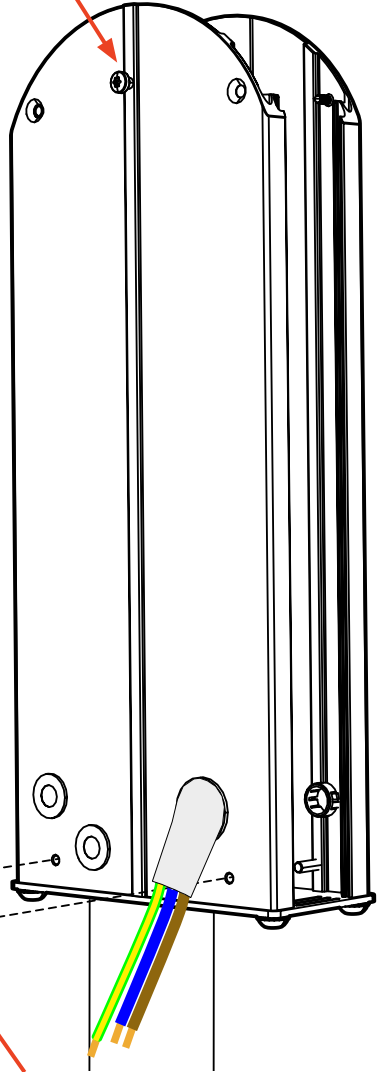
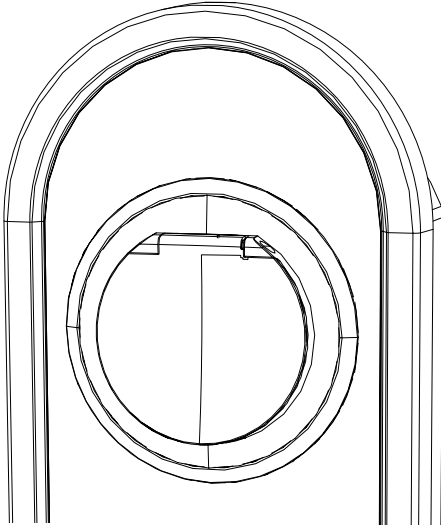
- 1 Open the installation box hatch by unlocking the hatch lock with a coin or suchlike.



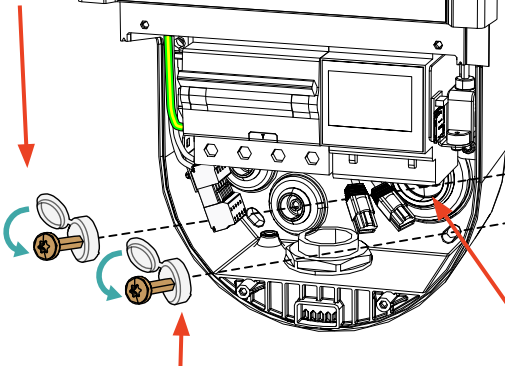
- 2 Remove the installation box cover by unscrewing the fastening screws (4 pcs).



3 Hang the charging station on the screw.



5 Attach the charging station to the EVTL55.00 / EVTL57.00 with the included fastening screws M5x20 2 pcs.



6 Cover the fastening screws with the included cover caps 2 pcs.

4 Thread the supply / connection cable through the membrane gasket.

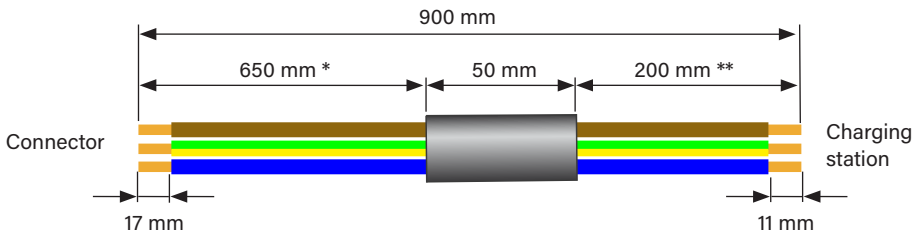
7 Complete the assembly of the EVTL55.00 / EVTL57.00 after the electrical installation work is completed.

This figure shows how to attach the charging station to the pole adapter EVTL55.00. If you attach the charging station to the pedestal EVTL57.00, obey the same installation steps.

7. Wiring instructions

- A separate connection cable is necessary. Make sure that the connection cable complies with the system dimensioning.
- Use the included connectors for installation.
- Alternatively you can route the supply cable directly to the charging station.
- If the charging station will be connected to the internet, first connect the Ethernet cable to the RJ45 connector and then the supply conductors to the power terminals.

7.1. Connection cable



* The length is for the longest core. Cut the other ones in required lengths.

** Leave the ground core long enough so that, if a fault occurs, it is the last conductor to become detached.

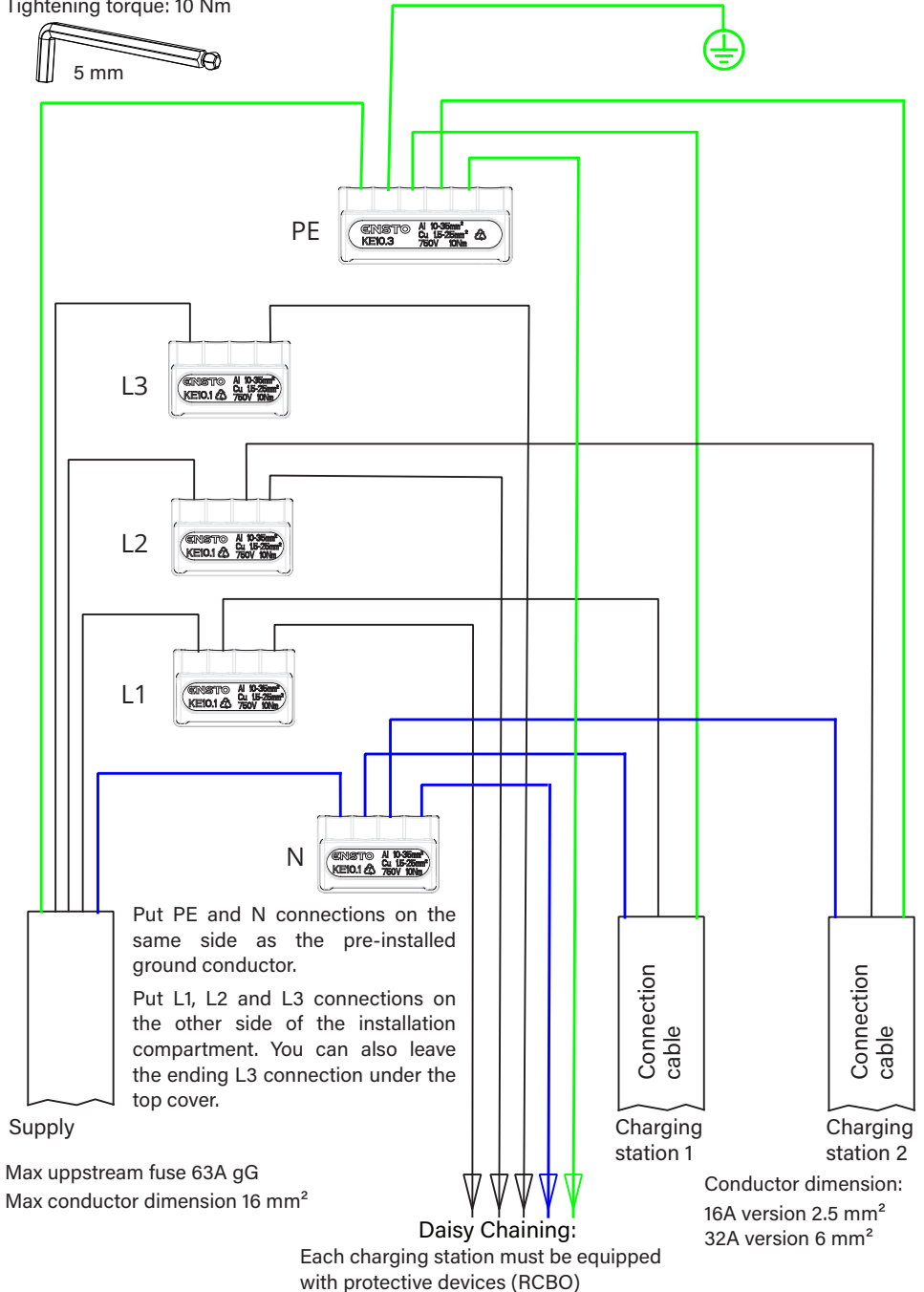
For more detailed wiring and Ethernet connectivity instructions please see the Installation Manual and User Guide of the charging station.



7.2. Wiring example

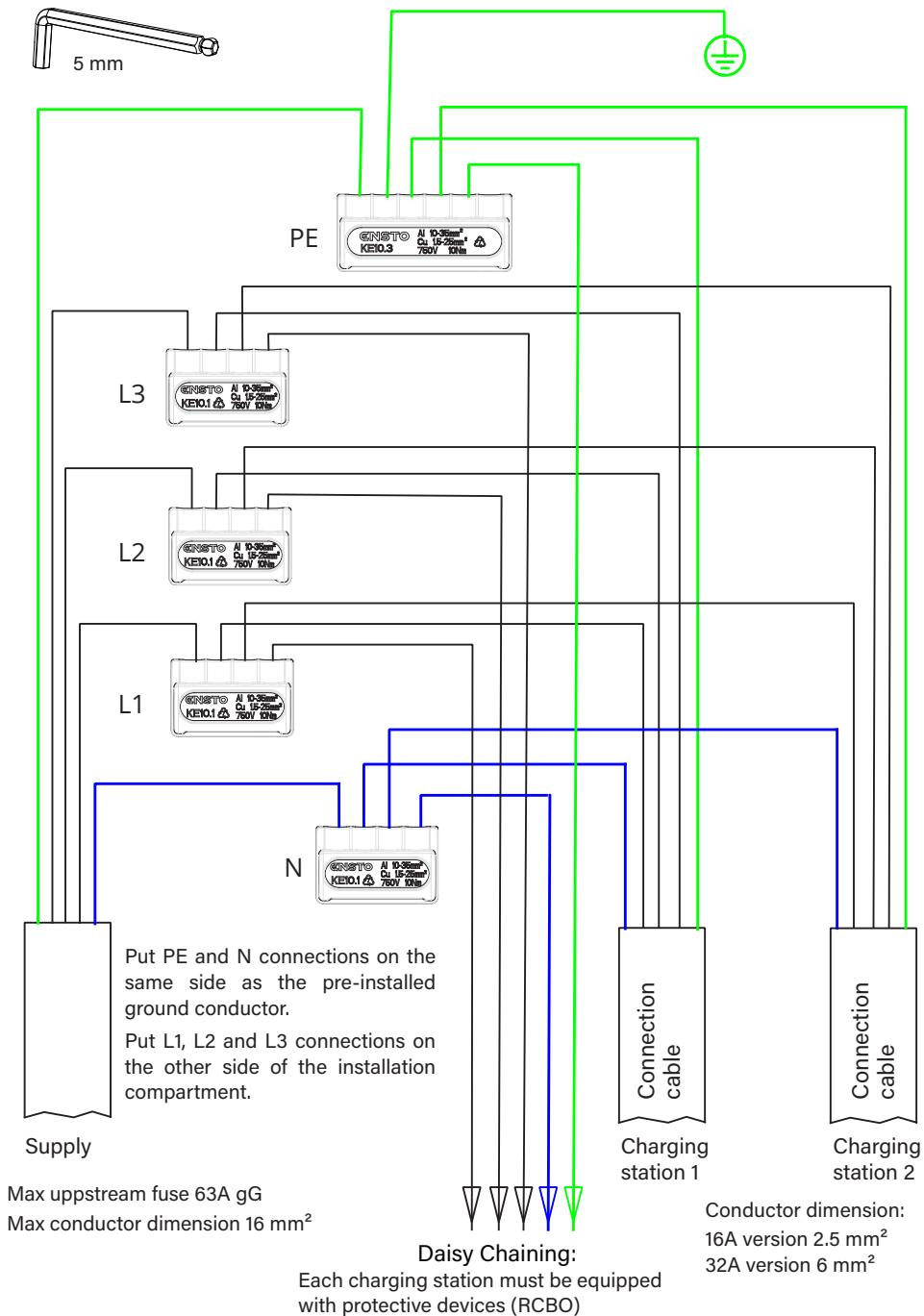
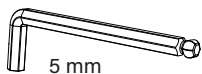
Installing two 1-phase charging stations to the EVTL55.00 / EVTL57.00

Tightening torque: 10 Nm



Installing two 3-phase chargers to the EVTL55.00 / EVTL57.00

Tightening torque: 10 Nm



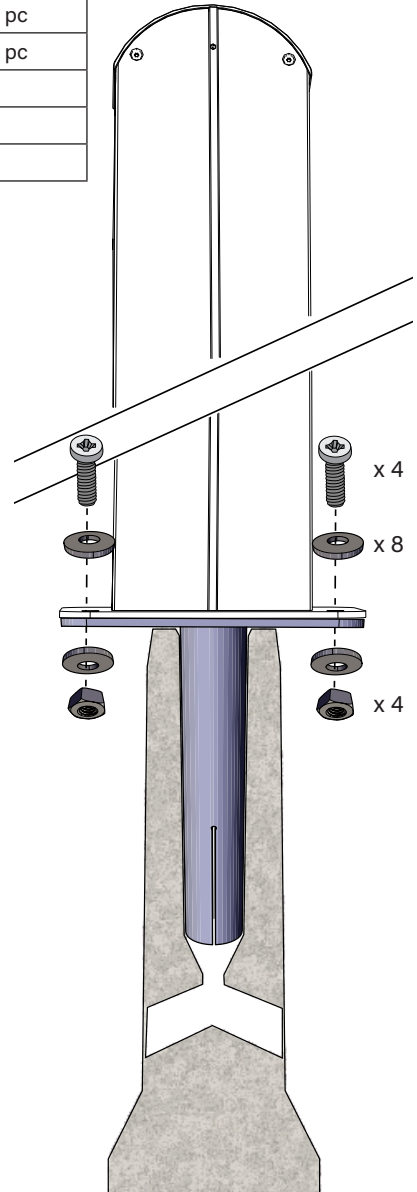
8. Ground / Floor mounting examples

8.1. Mounting on concrete foundation

Installation accessories	Qty
Pedestal EVTL57.00	1 pc
Adapter for ground mounting EVTL44.00	1 pc
Concrete foundation (from different manufacturers)	1 pc
Bolts (not included)	
Washers (not included)	
Nuts (not included)	

Installation steps

1. Dig a trench for cable conduits and an excavation pit for the concrete foundation to appropriate depths.
2. Add gravel to the bottom of the pit, to such thickness that the top of the foundation will be at appropriate level when you lift the foundation into the pit. Take into consideration the possible paving materials when you set the level.
3. Lift the concrete foundation into the installation pit. For more information, please see the concrete foundation mounting instructions.
4. Put cable and possible drain conduits in place.
5. Lift the adapter EVTL44.00 into the concrete foundation. Cut the adapter, if necessary. Adjust the adapter in such a manner, that the top surface of the adapter is horizontal. Make sure, that the adapter is securely in place and does not swing.
6. Pull electrical cables through the conduits and the adapter approx. 1600 mm measured from the adapter flange.
7. Tighten the foundation to its place by filling the excess space outside the foundation with gravel.
8. Attach the pedestal EVTL57.00 on the adapter with bolts, washers and nuts.
9. Pull the electrical cables through the metal conduit in the pole.
10. Attach the charging station to the pedestal. See instructions on chapter **6.4. Attach the charging station to the EVTL55.00 / EVTL57.00.**



8.2. Mounting on concrete casting

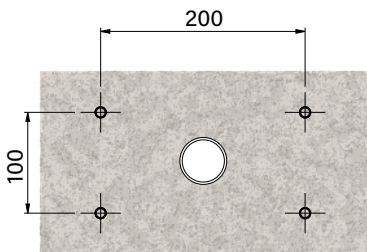
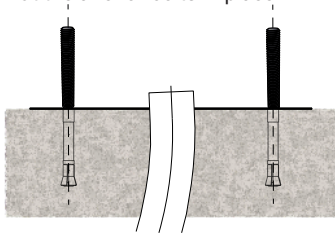
Installation accessories	Qty
Pedestal EVTL57.00	1 pc
Anchor bolts M12 (not included)	4 pcs
Washers and nuts (not included)	

Make sure that the materials used for the concrete casting and the installation procedures follow local building regulations and safety standards.

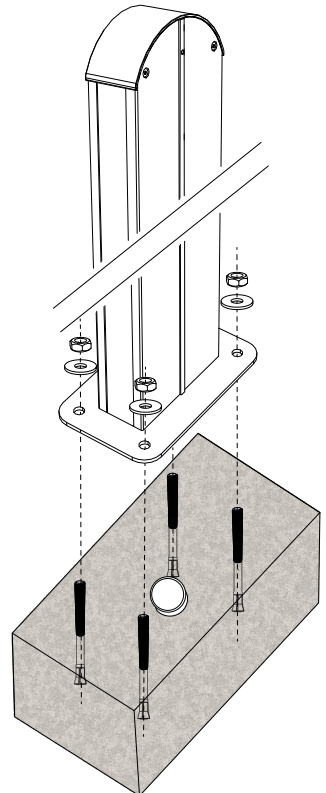
- Dig a trench for cable conduits and an excavation pit for the concrete foundation. The pit floor should be compacted and level.
- Put cable and possible drain pipes in place.
- Fill the pit with concrete.
- Let the concrete cure. Make sure that the surface stays level during the process.

Installation steps

1. **Make sure that the concrete surface is compacted and level.**
2. Drill a hole in the concrete for the anchor bolts. For more information, please see the anchor bolt instructions.
3. Put the anchor bolts in place.

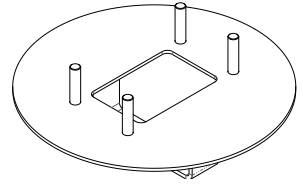


4. Pull the electrical cables approx. 1600 mm measured from the concrete surface.
5. Attach the pedestal EVTL57.00 on the anchor bolts with washers and nuts.
6. Pull the electrical cables through the metal conduit in the pole.
7. Attach the charging station to the pedestal. See instructions on chapter 6.4. **Attach the charging station to the EVTL55.00 / EVTL57.00.**



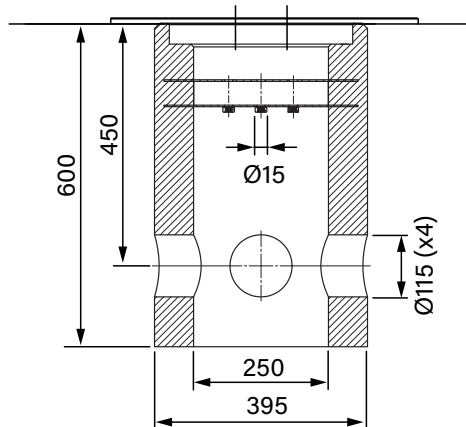
8.3. Mounting on Unimi Concrete Foundation

Installation accessories	Qty
Pedestal EVTL57.00	1 pc
Please order the following items from www.unimi.se	
Concrete foundation	1 pc
Cover plate	1 pc
Adapter, product code US7650	1 pc



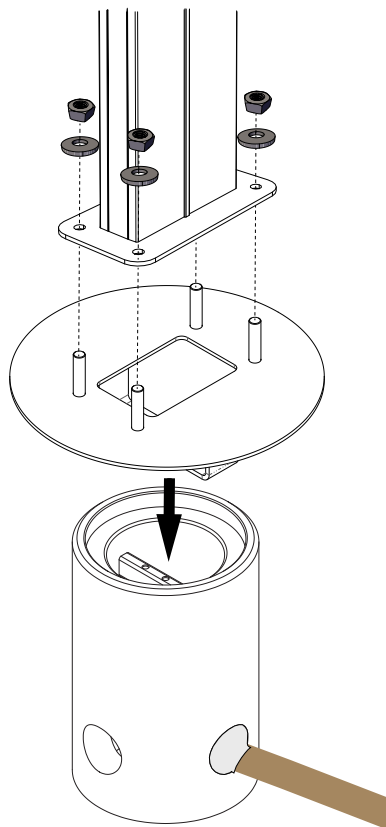
Installation steps

1. Dig a trench for cable conduits and an excavation pit for the concrete foundation to appropriate depths.
2. Adjust the depth of the pit so that the top of the foundation will be flush with the final surrounding ground surface. Take into consideration the possible paving materials.
3. Cover the unused conduit openings with plugs, which are included in the foundation delivery.



4. Lift the foundation into the installation pit. You can use the attachment bar in the foundation as a lifting point. Make sure that the mounting bar is in a direction that enables the installation of the charging station in correct position.
5. Put cable conduits into the trenches and install the conduits to relevant inlets.
6. Pull electrical cables through the conduits into the foundation approx. 1600 mm measured from the top of the foundation.
7. Tighten the foundation to its place by filling the excess space outside the foundation with gravel.
8. Set the final layer of gravel so that the top of the foundation will be flush with ground or the final paving material.

9. Always place a cover plate on the foundation, if the charging station is installed in a separate session than the foundation.
10. Remove the cover plate before you start the installation work.
11. Put the adapter element on the foundation.
12. Attach the adapter element to the foundation attachment bar with bolts 3 pcs (included).
13. Put the pedestal EVTL57.00 on the adapter. Tighten with the nuts included in the delivery.
14. Pull the electrical cables through the metal conduit in the pole.
15. Attach the charging station to the pedestal. See instructions on on chapter **6.4. Attach the charging station to the EVTL55.00 / EVTL57.00..**



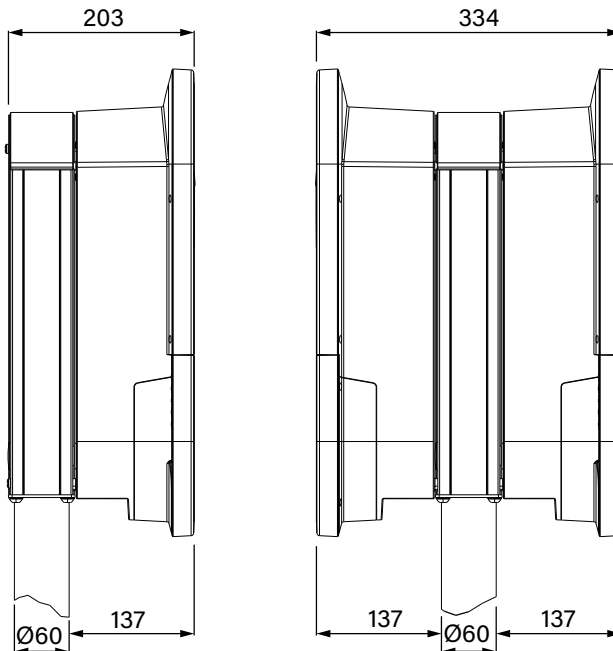
8.4. Ground mounting on pole Ø 60mm

Installation accessories	Qty
Pole adapter EVTL55.00	1 pc
Pole Ø 60mm (not included)	1 pc
Concrete foundation (from different manufacturers)	1 pc

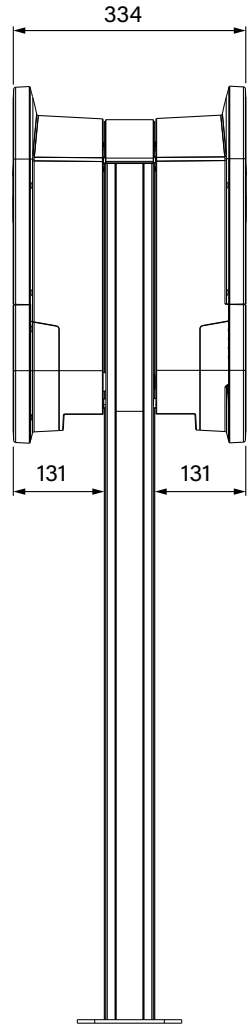
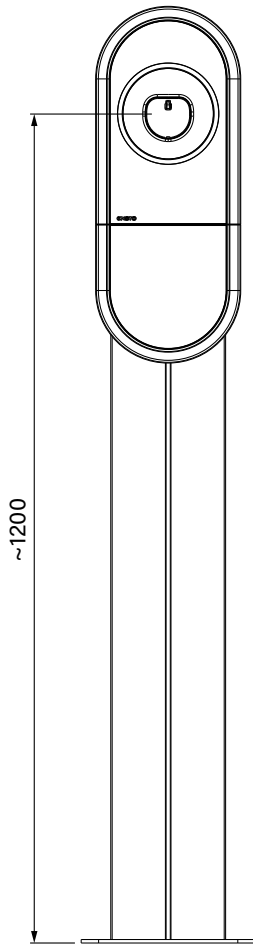
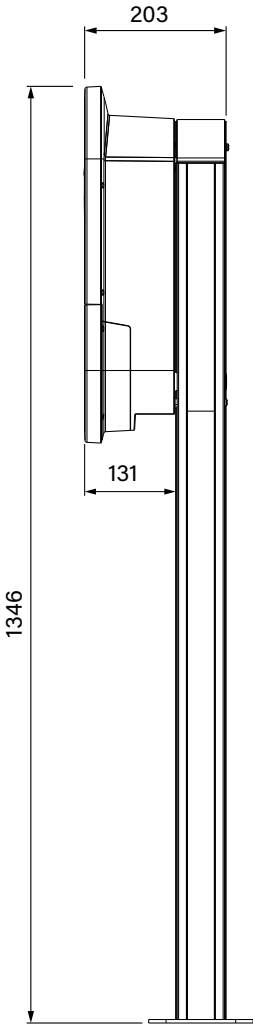
- Prepare the installation site.
- Mount the pole so that the top of the pole is 900 - 1200 mm measured from ground surface.
- If you replace a car heating socket with a charging station and want to use the existing pole and supply cables, you can cut the pole shorter so that the cables are long enough for electrical connections to the charging station.
- Use a appropriate concrete foundation. Obey the manufacturer's instructions.

9. Dimension drawings

EVTL55.00



EVTL57.00



10. Technical information

Electrical connections	EVTL55.00	EVTL57.00
Nominal supply voltage	1-ph, 230 VAC / 3-ph, 400VAC	
Nominal frequency	AC 50 Hz	
Supply connection to the included branching connectors	Cu 2,5 mm ² - 16 mm ² Tightening torque: 10Nm	
Connection cable	Cu 2,5 mm ² - 6 mm ² Ø 12 - 24 mm Stranded or solid conductors	
Supply connection to the charging station	See the technical specifications of the charging station	

Design and Mechanics	EVTL55.00	EVTL57.00
Material	Aluminium	
Color	Silver	
Mounting	Ground / Floor	
Weight	approx. 2,8 kg	approx. 8,8 kg
Ingress protection rating	IP23	
Impact resistance rating	IK10	
Tested according to IEC 61439-07 medium resistance		

11. Installation / Commissioning checklist

Introduction

Examine the mechanical and electrical installation according to this checklist to make sure that the charging station is properly installed.

Checking the Installation



Examine the visual, mechanical and electrical installation when the charging station is de-energized.

CATEGORY	X	ITEM
Overall look		You have received the ordered material.
		You do not see any scratches or damages.
Mechanical installation		The charging station is mounted properly on the installation site.
Electrical installation		The power supply capacity of the charging station power supply meets electrical planning (cable size, protective devices...). Review the local electrical design plan.
		The PE conductor screw is tight.
		The power supply conductors (L, N and PE) are properly connected to the connectors in the charging station.
		Conductors are properly connected to the separate branching connectors.
		The insulation of the power supply cable and the individual cores (L, N and PE) is intact.
		The voltage between PE and N is less than 10 V.
		The PE conductor resistance is less than 3 Ω.
		Test the functionality of the protective device.





Legrand Finland Oy
Linnoitustie 11,
02600 Espoo, Finland
Tel: +358 20 486 5010
www.legrand.fi

Legrand reserves at any time the right to modify the contents of this booklet and to communicate, in any form and modality, the changes brought to the same.