

Ensto One

for apartments



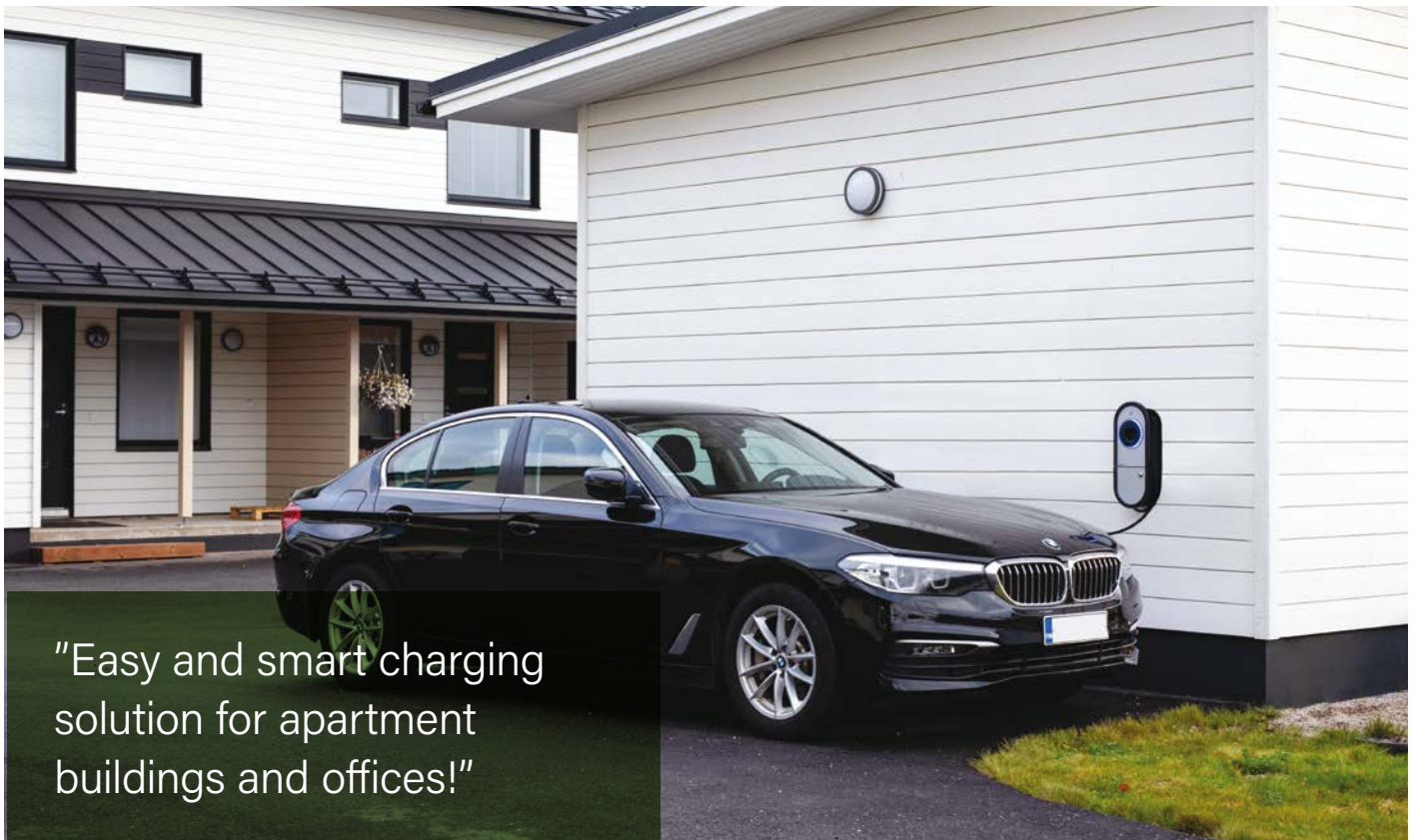
Ensto One is convenient solution for every day charging at apartment buildings as well as offices. Elegant and durable design hides a charging platform, which makes it perfect fit to be connected for EV operator platforms and services.

3,6
kW

7,4
kW

11
kW

22
kW





"Safe, easy and smart charging platform."

Ensto One – the one you need

For apartment buildings and shared charging

Ensto One provides wide power range 3,6 kW...22 kW that make sure that you can choose the power you need, whether you're a plug-in driver or all electric. When you rest, Ensto One charges your next experience.

EASY INSTALLING

Ensto One is easy and fast to install on the wall or on dedicated Ensto One pole. Ensto One chargers are factory-commissioned and prepared for selected EV Operator platforms, that simplifies the on-site work as well as simplifies complete solution commissioning.

EASY CHARGING

Plug in and that's it. Type 2 socket is the most common way to charge your PHEV or full EV. Simple charging experience with convenient status LEDs.

EASY CONTROLLING

Ensto One offering is available with selected EV Operator platforms. EV operator platform can be used for instance to enable user management with RFID's as well as user-based consumption reporting.

SAFE CHARGING

Ensto One is designed according to latest standards concerning EV

charging and it's made to last also in harsh weather conditions. Ensto One has build-in Current Monitoring module for DC current leakage detection, residual current operated circuit-breaker with integral over-current protection as well as MID class energy meter.





STRUCTURE

- Enclosures polycarbonate (PC) plastic
- IP54
- IK10
- Ambient temperature range -40...+50 °C

INSTALLATION

- Wall installation as a default, optionally available also pole adapter and full length pole
- 1-phase (L1, N, PE) or 3-phase (L1, L2, L3, N, PE) Cu 2.5-10 mm²
- Mobile app (Bluetooth) for adjusting operating current from 6A-16A/32A
- Power daisy-chain possibility within both adapters, Cu 2,5 mm² - 16 mm²

FEATURES

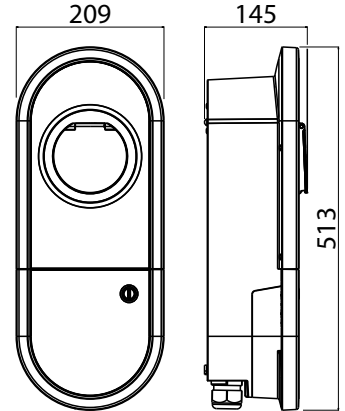
- Available 16A and 32A, 1-phase or 3-phase models
- Operating current adjustable from 6A-16A/32A
- Mode 3 Type 2 socket
- Built-in Residual Current Monitoring module for DC current leakage detection (RDC-DD, 6mA)
- Residual current operated circuit-breaker with integral over-current protection (RCBO, 30mA)
- MID energy meter on-board
- RFID reader for end-user authentication
- Cloud-based OCPP 1.6JSON Websocket connectivity for EV Operator platforms (Ethernet connection and EV operator's service contract mandatory to each charging station)
- Cloud based load management (Ethernet connection and EV operator's service contract mandatory to each charging station)



EVTL55.00



EVTL57.00



Product code	Technical name	Data connection	3,6 kW	7,4 kW	11 kW	22 kW	Type 2 socket	OCPP*	Schuko socket	RCBO	MID meter
Ensto One											
EVH161-A2RM0-EOPXXX	Ensto One 1x16A Type2 MID RCBO RFID Ethernet IP54	Ethernet	x				x			x	x
EVH321-A2RM0-EOPXXX	Ensto One 1x32A Type2 MID RCBO RFID Ethernet IP54	Ethernet		x			x			x	x
EVH163-A2RM0-EOPXXX	Ensto One 3x16A Type2 MID RCBO RFID Ethernet IP54	Ethernet			x		x			x	x
EVH323-A2RM0-EOPXXX	Ensto One 3x32A Type2 MID RCBO RFID Ethernet IP54	Ethernet				x	x			x	x
Installation accessories							Length	Height	Width		
EVTL55.00	Ensto One pole adapter, double-sided					73 mm	427 mm	170 mm			
EVTL57.00	Ensto One full length pole, double-sided					73 mm	1298 mm	170 mm			

* Cloud-based OCPP 1.6JSON Websocket connectivity for EV Operator platforms.

Ensto enables smart EV charging for everyone!

PUBLIC CHARGING

WORK CHARGING

HOME CHARGING



ENSTO ONE HOME

Super easy and safe home charger. It's the One for you.



ENSTO ONE

Easy and smart home charging at apartment buildings or shared parking.



ENSTO WALLBOX

Modular solution for single or dual EV charging. Compact and user-friendly design.



ENSTO PRO

An easy-to-use, long lifetime AC charging station for public EV charging.



ENSTO MEDIA

Uniquely combines EV charging and outdoor advertisement with its stunning digital display.

- 1-PHASE
- 3-PHASE
- KW / OUTLET
- SMART
- DATA CONNECTION
- FIXED CABLE
- CABLE RELEASE
- NEEDED RCD
- CHARGING OUTLETS
- USER CONTROL
- LOAD MANAGEMENT
- MID-METER

	ENSTO ONE HOME	ENSTO ONE	ENSTO WALLBOX	ENSTO PRO	ENSTO MEDIA
1-PHASE	X	X	X	X	X
3-PHASE	X	X	X	X	X
KW / OUTLET	3,6 / 7,4 / 11 / 22	3,6 / 7,4 / 11 / 22	22	22	22
SMART	Local load management	X ³⁾	X	X	X
DATA CONNECTION	-	Ethernet	4G/LAN/Wifi	4G/LAN/Wifi	LAN/4G
FIXED CABLE	X	-	-	-	-
CABLE RELEASE	-	X	X	X	X
NEEDED RCD	A or built-in ¹⁾	built-in	A or built-in ¹⁾	built-in	built-in
CHARGING OUTLETS	1	1	1-2	2	2
USER CONTROL	X ¹⁾	X ⁴⁾	X ⁴⁾	X ⁴⁾	X ⁴⁾
LOAD MANAGEMENT	-	X ²⁾	X	X	X
MID-METER	-	X	X	X	X

¹⁾ Charger Control app
²⁾ Cloud based, internet access mandatory
³⁾ Cloud-based OCPP communication for EV Operators
⁴⁾ In-built RFID reader, EV Operator specific solutions via OCPP

