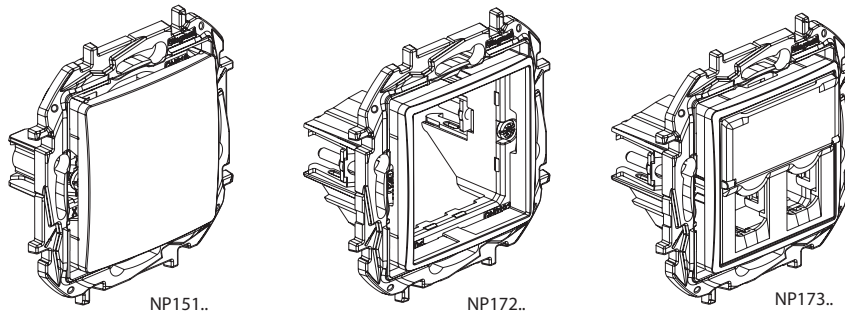


**Niloé™**  
**Blanking plate, mosaic adaptor, double systimax**

**Cat. Nos: NP151BK/MG/WH, NP172BK/MG/WH, NP173BK/MG/WH**



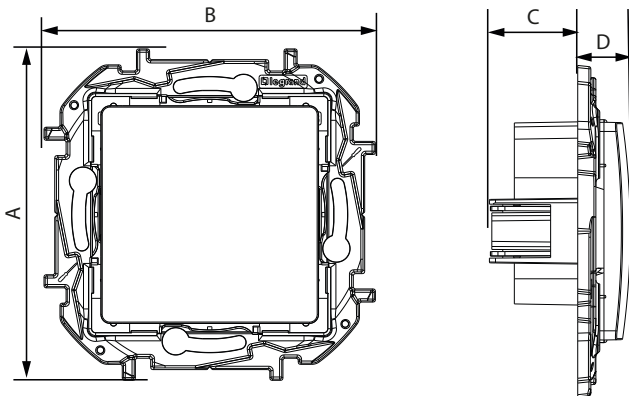
**1. USE**

The mechanisms are supplied with cover plates and support frames. Flush-mounting or surface-mounting. Fixing with screws and or with claws.

**2. RANGE**

Designation	White	Medium Grey	Black
Blanking plate	NP151WH	NP151MG	NP151BK
Mosaic adaptor	NP172WH	NP172MG	NP172BK
Double systimax	NP173WH	NP173MG	NP173BK

**3. DIMENSIONS (mm)**



References	A	B	C	D
NP151..	75.8	75.8	20.2	12
NP172..	75.8	75.8	30	10.2
NP173..	75.8	75.8	30	12.5

**4. TECHNICAL CHARACTERISTICS**

■ **4.1 Mecanical characteristics**

Protection against solide bodies and liquids: IP 20  
 Protection against impacts: IK 04

■ **4.2 Material characteristics**

Polyglass appearance

Material: - Cover plate: ABS NP151..  
 -Adapter ring: ABS NP172..  
 -PC NP173..  
 - Halogen-free  
 - UV resistant

Material of the support: - PC NP151..  
 -PC+ GF NP172.., NP173..  
 - Halogen free

Self-extinguishing:

+ 850° C / 30 s for insulating parts holding live parts in place  
 + 650° C / 30 s for other parts made of insulating materials

■ **4.4 Climatic characteristics**

Storage temperature: -10°C to +70°C  
 Usage temperature: -5°C to +40°C

**5. CLEANING**

Surface cleaning with a cloth.

Do not use: acetone, tar remover, trichloroethylene.

Resistance to the cleaning agents: Hexane, Methylated spirit, Soapy water, Diluted ammonia, Diluted pure bleach 10%, Glass cleaning subs-

**Caution:** A preliminary test should be carried out if other specific cleaning products are to be used.

tances, Pre-impregnated wipes.

**5. STANDARDS AND APPROVALS**

The undersigned, LEGRAND, declares that the radio-electric equipment type (Cat. Nos: NP151BK/MG/WH - NP172BK/MG/WH - NP173BK/MG/WH) complies with directive 2014/53/EU.

The full text of the EU declaration of conformity is available on the following website: [www.legrand.com/ecatalogue](http://www.legrand.com/ecatalogue)