


22260141	DATA SHEET	
Valid from: 29.11.2023	AB-C8-(L*)PUR-M12FA	

Product description

- Sensor/actuator cable, 8-pol, PUR halogen-free, black
- Angled M12-jack on free conductor end



General characteristics

Number of pins	8
Ambient temperature	-25 °C to +90 °C (-13°F to 194°F) (plug / jack) -40 °C to +80 °C (-40°F to 176°F) (cable, fixed installation) -25 °C to +80 °C (-13°F to 176°F) (cable, movable installation)
Degree of protection	IP 65 / IP 67 / IP 68
Coding	A-standard
Tightening torque	0,4 Nm (M12-connector)
Plugging cycles	≥ 100

Variation

Article number	Description	Length [m]	Configuration
22260141	AB-C8-2,0PUR-M12FA	2	angled
22260615	AB-C8-5,0PUR-M12FA	5	angled
22260616	AB-C8-10,0PUR-M12FA	10	angled

Additional note

Data sheet also valid for variant lengths. Other lengths on request.

Electrical properties


Rated voltage	30 V
Rated current	2 A
Overvoltage category	II
Pollution degree	3

Mechanical properties

Jack

Inflammability class in accordance with UL 94	HB
Contact, material	CuZn
Contact carrier, material	TPU GF
Contact surface, material	Ni/Au
Knurl, material	Zinc diecasting, nickel-plated
Handle, material	TPU, flame retardant, self-extinguishing

Creator: THLE3/PDP Released: IVSE1/PDP	Document: DB22260141EN Version: 04	Page 1 of 3
---	---------------------------------------	-------------

22260141	DATA SHEET	
Valid from: 29.11.2023	AB-C8-(L*)PUR-M12FA	


Line

Cable construction	8 x AWG24/32
Signal line, construction	32 x 0,1 mm
Conductor cross-section	0,25 mm ²
Conductor diameter including isolation	1,17 mm ± 0,02 mm
Cable outer diameter	5,9 mm ± 0,15mm
Insulation color	white, brown, green, yellow, grey, pink, blue, red
Sheath color	grey-black, RAL 7021
Number of bending cycles	4.000.000
Bending radius	59 mm
Traveling distance	10 m
Traveling speed	3 m/s
Acceleration	10 m/s ²
Cable weight	46 kg/km
Outer coating, material	PUR
Wire insulation, material	PP
Insulation resistance	≥ 1 GΩ*km
Conductor resistance	≤ 78 Ω/km
Flame resistance	acc. to UL-Style 20549
Halogen-free	acc. to DIN VDE 0472 Part 815
Oil resistance	acc. to DIN EN 60811-2-1
Other resistances	resistant to hydrolysis and microbes good resistant to acids, lyes and solvents limited UV resistance acc. to DIN EN ISO 4892-2-A suitable for drag chains, silicone-free

Standards/Approvals

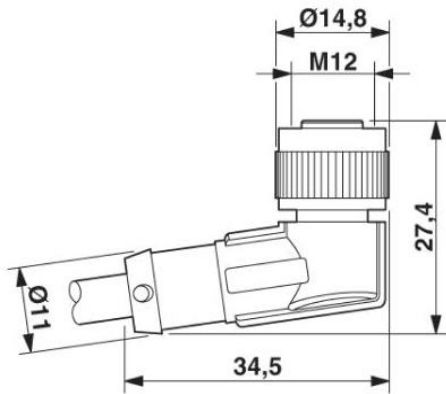
Product standard, M12 connector	IEC 61076-2-101
UL-Listed, E-File	E249137

Creator: THLE3/PDP Released: IVSE1/PDP	Document: DB22260141EN Version: 04	Page 2 of 3
---	---------------------------------------	-------------

22260141	DATA SHEET	
Valid from: 29.11.2023	AB-C8-(L*)PUR-M12FA	

Technical drawing

Dimensional drawing



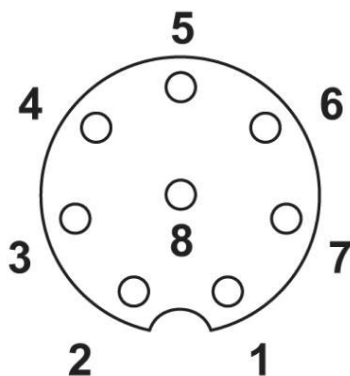
Plug M12 x 1, angled

Circuit diagram



Pin assignment from M12-jack

Drawing



Pin assignment M12-plug, 8-pol, A-coding

Wire cross section



Application range

For increased mechanical load and rough operating conditions

Note

Photographs are not true to scale and do not represent detailed images of the respective products.

Creator: THLE3/PDP Released: IVSE1/PDP	Document: DB22260141EN Version: 04	Page 3 of 3
---	---------------------------------------	-------------