


22262125	<b>DATA SHEET</b>	
Valid from: 05.02.2024	<b>AB-C4-M12MA- (L*)PUR-SH</b>	

## Product description

- Sensor/actuator cable, 4-pol, PUR black
- Angled M12-plug on free conductor end
- Shielded



## General characteristics

Number of pins	4
Ambient temperature	-25 °C to +90 °C (-13°F to 194°F) (plug / jack) -40 °C to +80 °C (-40°F to 176°F) (cable, fixed installation) -25 °C to +80 °C (-13°F to 176°F) (cable, movable installation)
Degree of protection	IP65 / IP67
Coding	A-standard
Tightening torque	0,4 Nm (M12-connector)
Plugging cycles	≥ 100

## Variation

Article number	Description	Length [m]	Configuration
22262125	AB-C4-M12MA- 2,0PUR-SH	2	angled

## Additional note

Data sheet also valid for variant lengths. Other lengths on request.

## Electrical properties

Rated voltage	48 V AC / 60 V DC
Rated current	4 A
Overvoltage category	II
Pollution degree	3

## Mechanical properties


### Plug

Inflammability class in accordance with UL 94	HB
Contact, material	CuSn
Contact carrier, material	TPU GF
Contact surface, material	Ni/Au
Knurl, material	Zinc diecasting, nickel-plated
Handle, material	TPU, flame retardant, self-extinguishing
Sealing, material	NBR

### Line

Cable construction	4 x AWG22/42
Signal line, construction	42 x 0,1 mm
Conductor cross-section	0,34 mm <sup>2</sup>
Conductor diameter including isolation	1,27 mm ± 0,02 mm
Cable outer diameter D	5,9 mm ± 0,15mm

Creator: THLE3/PDP Released: IVSE1/PDP	Document: DB22262125EN Version: 00	Page 1 of 3
---	---------------------------------------	-------------


22262125	<b>DATA SHEET</b>	
Valid from: 05.02.2024	<b>AB-C4-M12MA- (L*)PUR-SH</b>	

Insulation color	brown, white, blue, black
Sheath color	grey-black, RAL 7021
Shielding	Braid of tinned copper wires
Number of bending cycles	10.000.000
Minimum bending radius, drag chain use	10 x D
Traveling distance	10 m
Traveling speed	3 m/s
Acceleration	10 m/s <sup>2</sup>
Cable weight	36 kg/km
Outer coating, material	PUR
Wire insulation, material	PP
Insulation resistance	≥ 100 GΩ*km (at 20 °C)
Conductor resistance	≤ 58 Ω/km (at 20 °C)
Flame resistance	acc. to UL 758/1581 FT2 DIN EN 60332-2-2 (20 s)
Halogen-free	acc. to DIN VDE 0472 Part 815
Oil resistance	acc. to DIN EN 60811-2-1
Other resistances	resistant to hydrolysis and microbes limited UV resistance acc. to DIN EN ISO 4892-2-A good resistant to acids, lyes and solvents resistant to sea water abrasion resistant

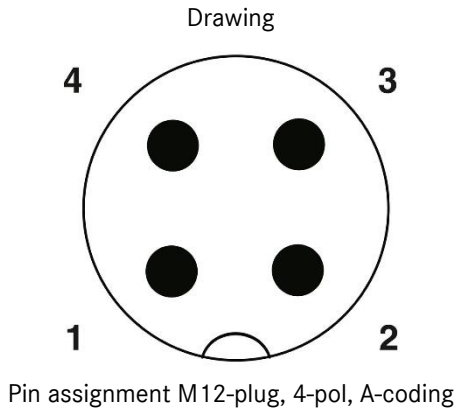
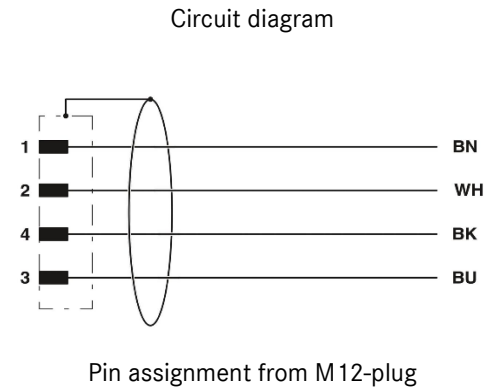
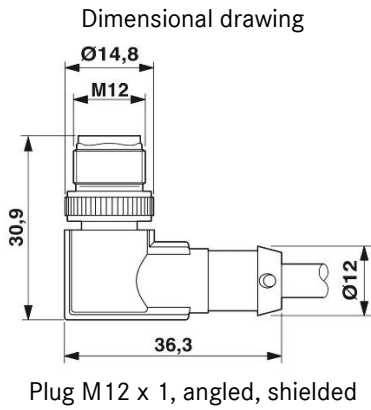
### Standards/Approvals

Product standard, M12 connector	IEC 61076-2-101
UL-Listed, E-File	E249137

Creator: THLE3/PDP Released: IVSE1/PDP	Document: DB22262125EN Version: 00	Page 2 of 3
---	---------------------------------------	-------------

22262125	<b>DATA SHEET</b>	
Valid from: 05.02.2024	<b>AB-C4-M12MA- (L*)PUR-SH</b>	

**Technical drawing**



**Application range**

For increased mechanical load and rough operating conditions

**Note**

Photographs are not true to scale and do not represent detailed images of the respective products.

Creator: THLE3/PDP Released: IVSE1/PDP	Document: DB22262125EN Version: 00	Page 3 of 3
---	---------------------------------------	-------------