


22260859	<b>DATA SHEET</b>	
Valid from: 26.01.2024	<b>AB-C8-(L*)PUR-M12FA-SH</b>	

## Product description

- Sensor/actuator cable, 8-pol, PUR black
- Angled M12-jack on free conductor end
- Shielded



## General characteristics

Number of pins	8
Ambient temperature	-25 °C to +90 °C (-13°F to 194°F) (plug / jack) -40 °C to +80 °C (-40°F to 176°F) (cable, fixed installation) -25 °C to +80 °C (-13°F to 176°F) (cable, movable installation)
Degree of protection	IP65 / IP67
Coding	A-standard
Tightening torque	0,4 Nm (M12-connector)
Plugging cycles	≥ 100

## Variation

Article number	Description	Length [m]	Configuration
22260859	AB-C8-5,0PUR-M12FA-SH	5	angled
22261000	AB-C8-15,0PUR-M12FA-SH	15	angled
22262191	AB-C8-20,0PUR-M12FA-SH	20	angled

## Additional note

Data sheet also valid for variant lengths. Other lengths on request.

## Electrical properties


Rated voltage	30 V
Rated current	2 A
Overvoltage category	II
Pollution degree	3

## Mechanical properties

### Jack

Inflammability class in accordance with UL 94	HB
Contact, material	CuZn
Contact carrier, material	TPU GF
Contact surface, material	Ni/Au
Knurl, material	Zinc diecasting, nickel-plated
Handle, material	TPU, flame retardant, self-extinguishing
Sealing, material	NBR

Creator: THLE3/PDP Released: IVSE1/PDP	Document: DB22260859EN Version: 03	Page 1 of 3
---	---------------------------------------	-------------

22260859	<b>DATA SHEET</b>	
Valid from: 26.01.2024	<b>AB-C8-(L*)PUR-M12FA-SH</b>	


**Line**

Cable construction	8 x AWG24/32
Signal line, construction	32 x 0,1 mm
Conductor cross-section	0,25 mm <sup>2</sup>
Conductor diameter including isolation	1,17 mm ± 0,02 mm
Cable outer diameter D	5,9 mm ± 0,15mm
Insulation color	brown, white, green, yellow, grey, pink, blue, red
Sheath color	grey-black, RAL 7021
Shielding	Braid of tinned copper wires
Number of bending cycles	2.000.000
Minimum bending radius, drag chain use	10 x D
Traveling distance	10 m
Traveling speed	3 m/s
Acceleration	10 m/s <sup>2</sup>
Cable weight	53 kg/km
Outer coating, material	PUR
Wire insulation, material	PP
Insulation resistance	≥ 1 GΩ*km (at 20 °C)
Conductor resistance	≤ 78 Ω/km (at 20 °C)
Flame resistance	acc. to UL FT-2 UL 758/1581 (horizontal) UL 758/1581 FT2 DIN EN 60332-2-2 (20 s)
Halogen-free	acc. to DIN VDE 0472 Part 815 EC 60754-1
Oil resistance	acc. to IEC 60811-404
Other resistances	resistant to hydrolysis and microbes limited UV resistance acc. to DIN EN ISO 4892-2-A resistant to sea water abrasion resistant

**Standards/Approvals**

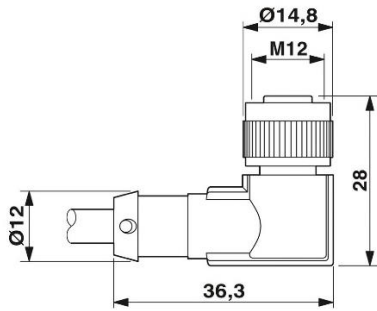
Product standard, M12 connector	IEC 61076-2-101
UL-Listed, E-File	E249137

Creator: THLE3/PDP Released: IVSE1/PDP	Document: DB22260859EN Version: 03	Page 2 of 3
---	---------------------------------------	-------------

22260859	<b>DATA SHEET</b>	
Valid from: 26.01.2024	<b>AB-C8-(L*)PUR-M12FA-SH</b>	

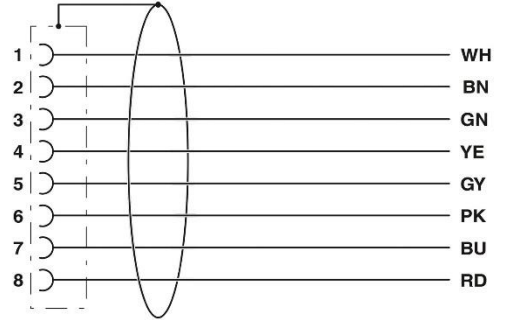
### Technical drawing

Dimensional drawing



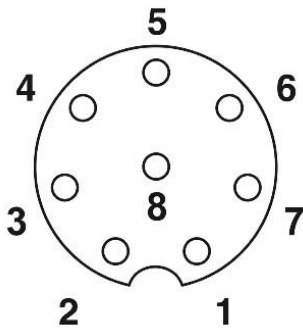
Jack M12 x 1, angled, shielded

Circuit diagram



Pin assignment from M12-jack

Drawing



Pin assignment M12-jack, 8-pol, A-coding

Wire cross section



### Application range

For increased mechanical load and rough operating conditions

### Note

Photographs are not true to scale and do not represent detailed images of the respective products.

Creator: THLE3/PDP Released: IVSE1/PDP	Document: DB22260859EN Version: 03	Page 3 of 3
---	---------------------------------------	-------------