


22260588	<b>DATA SHEET</b>	
Valid from: 10.01.2024	<b>AB-C3-(L*)PUR-CI-1L-S</b>	

## Product description

- Sensor/actuator cable, 3-pins, PUR halogen-free, black
- Free conductor end on valve connector type CI (9,4 mm)
- Incl. Z-diode
- 1 LED



## General characteristics

Number of pins	3
Ambient temperature	-20 °C to +85 °C (-4 °F to 185 °F) (valve connector) -40 °C to +80 °C (-40 °F to 176 °F) (cable, fixed installation) -20 °C to +80 °C (-4 °F to 176 °F) (cable, movable installation)
Degree of protection	IP 65 / IP 67
Protection circuit/component	Z-diode
Tightening torque	0,6 Nm (valve-connector)

## Variation

Article number	Description	Length [m]	Configuration
22260588	AB-C3-2,0PUR-CI-1L-S	2	CI (9,4 mm)
22260574	AB-C3-5,0PUR-CI-1L-S	5	CI (9,4 mm)
22260575	AB-C3-10,0PUR-CI-1L-S	10	CI (9,4 mm)

## Additional note

Data sheet also valid for variant lengths. Other lengths on request.

## Electrical properties


Rated voltage	24 V
Rated current	4 A
Overvoltage category	III
Pollution degree	3
Terminal voltage	70 V (with 2 mA constant current)
Reverse voltage	50 V

## Mechanical properties

### Valve connector

Inflammability class in accordance with UL 94	V0
Contact, material	CuSn
Contact insert, material	PA 6.6
Contact surface, material	Sn
Housing	TPU
Seal, material	TPU (seal injected)

Creator: THLE3/PDP Released: IVSE1/PDP	Document: DB22260588EN Version: 06	Page 1 of 3
---	---------------------------------------	-------------

22260588	<b>DATA SHEET</b>	
Valid from: 10.01.2024	<b>AB-C3-(L*)PUR-CI-1L-S</b>	


**Line**

Cable construction	3 x AWG20/28
Signal line, construction	28 x 0,15 mm
Conductor cross-section	0,50 mm <sup>2</sup>
Conductor diameter including isolation	1,5 mm ± 0,05 mm
Cable outer diameter	4,5 mm ± 0,2 mm
Insulation color	Black 1, black 2, green/yellow
Sheath color	grey-black, RAL 7021
Number of bending cycles	15.000.000
Bending radius	50 mm
Traveling distance	0,9 m
Traveling speed	5 m/s
Acceleration	30 m/s <sup>2</sup>
Cable weight	30 kg/km
Outer coating, material	PUR
Wire insulation, material	PP
Insulation resistance	min. 20 MΩ*km
Conductor resistance	39 Ω/km (at 20 °C)
Flame resistance	acc. to DIN VDE 0482 DIN EN 50265-2-1
Halogen-free	acc. to DIN VDE 0472 Part 815
Oil resistance	acc. to DIN EN 60811-2-1
Other resistances	largely oil-resistant limited UV resistance acc. to DIN EN ISO 4892-2-A

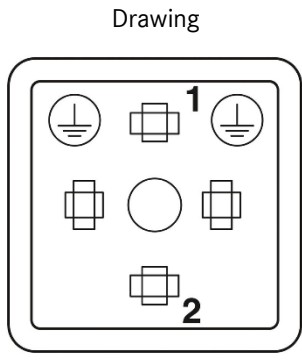
**Standards/Approvals**

Product standard, valve-connector	EN 175301-803
-----------------------------------	---------------

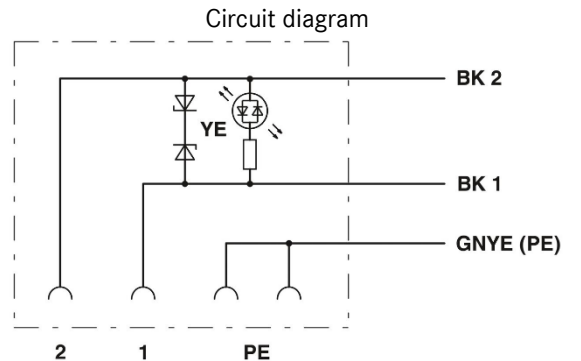
Creator: THLE3/PDP Released: IVSE1/PDP	Document: DB22260588EN Version: 06	Page 2 of 3
---	---------------------------------------	-------------

22260588	<b>DATA SHEET</b>	
Valid from: 10.01.2024	<b>AB-C3-(L*)PUR-CI-1L-S</b>	

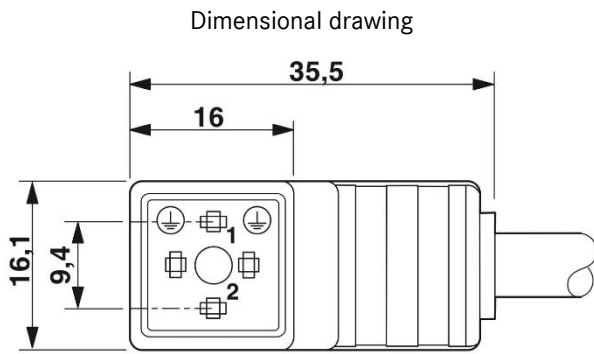
### Technical drawing



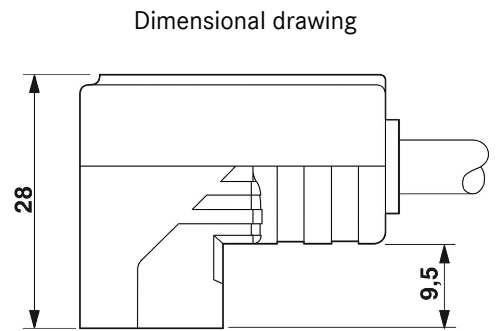
Valve connector, type CI



Pin assignment of valve connector



Valve connector, type CI



Valve connector, type CI, side view



### Application range

For increased mechanical load and rough operating conditions

### Note

Photographs are not true to scale and do not represent detailed images of the respective products.

Creator: THLE3/PDP Released: IVSE1/PDP	Document: DB22260588EN Version: 06	Page 3 of 3
---	---------------------------------------	-------------