


22262043	<b>DATA SHEET</b>	
Valid from: 17.06.2024	<b>AB-C4-(L*)TPE-M12FS-HD</b>	

## Product description

- Sensor / actuator cable, 4-pol, PP-EPDM
- Straight M12-jack on free conductor end
- Hygienic Design for Food & Beverage



## General characteristics

Number of pins	4
Ambient temperature	-40 °C to +105 °C (-40°F to 221°F) (plug / jack) -40 °C to +105 °C (-40°F to 221°F) (cable, fixed installation) -25 °C to +105 °C (-13°F to 221°F) (cable, movable installation)
Degree of protection	IP65 / IP67 / IP68 / IP69
Coding	A-standard
Plugging cycles	≥ 100
Tightening torque	0,4 Nm (M12-connector)

## Variation

Article number	Description	Length [m]	Configuration
22262043	AB-C4-2,0TPE-M12FS-HD	2	straight
22262044	AB-C4-5,0TPE-M12FS-HD	5	straight
22262062	AB-C4-7,5TPE-M12FS-HD	7,5	straight
22262045	AB-C4-10,0TPE-M12FS-HD	10	straight
22262063	AB-C4-15,0TPE-M12FS-HD	15	straight
22262198	AB-C4-20,0TPE-M12FS-HD	20	straight
22262197	AB-C4-30,0TPE-M12FS-HD	30	straight
22262194	AB-C4-40,0TPE-M12FS-HD	40	straight
22262196	AB-C4-60,0TPE-M12FS-HD	60	straight

### Additional note

Data sheet also valid for variant lengths. Other lengths on request.

## Electrical properties

Rated voltage	250 V
Rated current	4 A
Overvoltage category	II
Pollution degree	3

## Mechanical properties


### Jack

Contact, material	CuSn
Contact carrier, material	PP
Contact surface, material	Ni/Au
Knurl, material	Stainless steel
Handle, material	PP
Seal, material	FKM

### Line

Cable construction	4 x AWG22/42
Signal line, construction	42 x 0,1 mm

Creator: THLE3/PDP Released: FELI1/PDP	Document: DB22262043EN Version: 01	Page 1 of 2
---	---------------------------------------	-------------

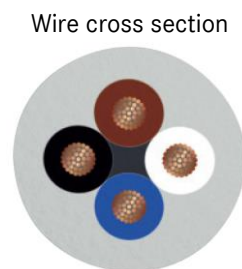
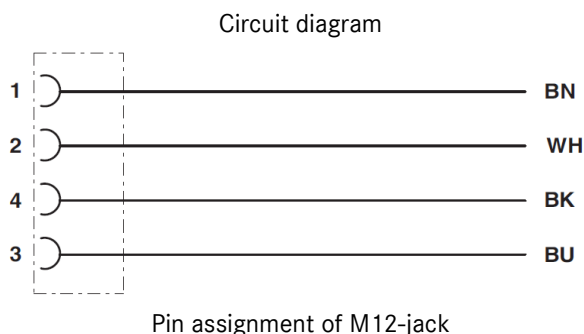
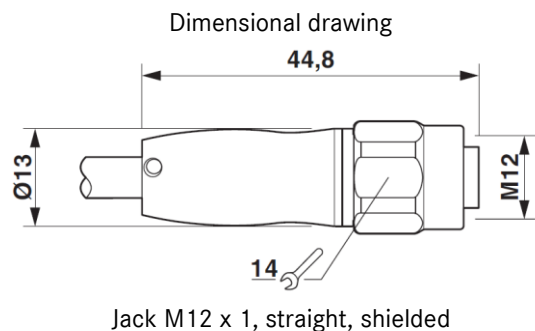
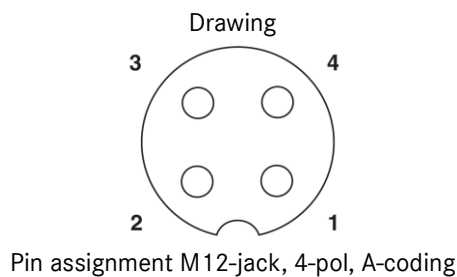
22262043	<b>DATA SHEET</b>	
Valid from: 17.06.2024	<b>AB-C4-(L*)TPE-M12FS-HD</b>	

Conductor cross-section	0,34 mm <sup>2</sup>
Conductor diameter including isolation	1,27 mm ± 0,02 mm
Cable outer diameter D	4,7 mm ± 0,15 mm
Insulation color	Brown, white, blue, black
Sheath color	grey, RAL 7035
Number of bending cycles	4.000.000
Minimum bending radius, drag chain use	10 x D
Traveling distance	10 m
Traveling speed	3 m/s
Acceleration	10 m/s <sup>2</sup>
Cable weight	30 kg/km
Outer coating, material	PP-EPDM
Wire insulation, material	PP
Insulation resistance	≥ 1 GΩ*km
Conductor resistance	approx. 58 MΩ/km
Halogen-free	acc. to DIN VDE 0472 Part 815
Other characteristics	Resistant to cold wraps and cold shock according to DIN EN 60811-1-4 (-40 °C)

### Standards/Approvals

Product standard, M12 connector	IEC 61076-2-101
Material compliance	FDA 21 CFR 177.2600

### Technical drawing



### Application range

For food and packaging machines.

### Note

Photographs are not true to scale and do not represent detailed images of the respective products.

Creator: THLE3/PDP Released: FELI1/PDP	Document: DB22262043EN Version: 01	Page 2 of 2
---	---------------------------------------	-------------