


22262046	DATA SHEET	
Valid from: 17.06.2024	AB-C4-(L*)TPE-M12FA-HD	

Product description

- Sensor / actuator cable, 4-pol, PP-EPDM
- Angled M12-jack on free conductor end
- Hygienic Design



General characteristics

Number of pins	4
Ambient temperature	-40 °C to +105 °C (-40°F to 221°F) (plug / jack) -40 °C to +105 °C (-40°F to 221°F) (cable, fixed installation) -25 °C to +105 °C (-13°F to 221°F) (cable, movable installation)
Degree of protection	IP65 / IP67 / IP68 / IP69
Coding	A-standard
Plugging cycles	≥ 100
Tightening torque	0,4 Nm (M12-connector)

Variation

Article number	Description	Length [m]	Configuration
22262046	AB-C4-2,0TPE-M12FA-HD	2	angled
22262047	AB-C4-5,0TPE-M12FA-HD	5	angled
22262064	AB-C4-7,5TPE-M12FA-HD	7,5	angled
22262048	AB-C4-10,0TPE-M12FA-HD	10	angled
22262065	AB-C4-15,0TPE-M12FA-HD	15	angled
22262069	AB-C4-30,0TPE-M12FA-HD	30	angled

Additional note

Data sheet also valid for variant lengths. Other lengths on request.

Electrical properties

Rated voltage	250 V
Rated current	4 A
Overvoltage category	II
Pollution degree	3

Mechanical properties


Jack

Contact, material	CuSn
Contact carrier, material	PP
Contact surface, material	Ni/Au
Knurl, material	Stainless steel
Handle, material	PP
Seal, material	FKM

Line

Cable construction	4 x AWG22/42
Signal line, construction	42 x 0,1 mm
Conductor cross-section	0,34 mm ²
Conductor diameter including isolation	1,27 mm ± 0,02 mm
Cable outer diameter D	4,7 mm ± 0,15 mm
Insulation color	brown, white, blue, black
Sheath color	grey, RAL 7035

Creator: THLE3/PDP Released: FELI1/PDP	Document: DB22262046EN Version: 01	Page 1 of 2
---	---------------------------------------	-------------

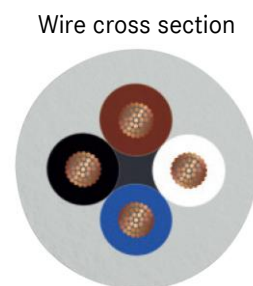
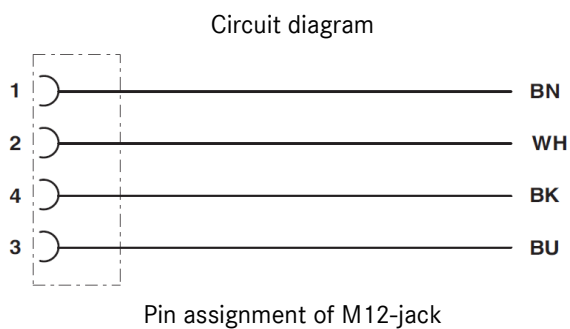
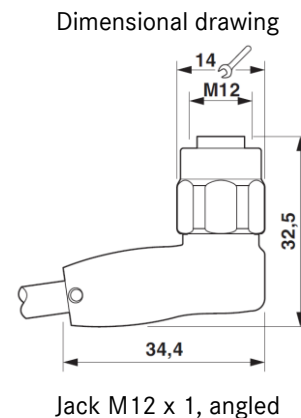
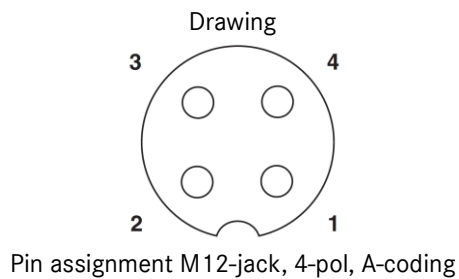
22262046	DATA SHEET	
Valid from: 17.06.2024	AB-C4-(L*)TPE-M12FA-HD	

Number of bending cycles	4.000.000
Minimum bending radius, drag chain use	10 x D
Traveling distance	10 m
Traveling speed	3 m/s
Acceleration	10 m/s ²
Cable weight	30 kg/km
Outer coating, material	PP-EPDM
Wire insulation, material	PP
Insulation resistance	≥ 1 GΩ*km
Conductor resistance	approx. 58 MΩ/km
Halogen-free	acc. to DIN VDE 0472 Part 815
Other characteristics	Resistant to cold wraps and cold shock according to DIN EN 60811-1-4 (-40 °C)

Standards/Approvals

Product standard, M12 connector	IEC 61076-2-101
Material compliance	FDA 21 CFR 177.2600

Technical drawing



Application range

For food and packaging machines.

Note

Photographs are not true to scale and do not represent detailed images of the respective products.

Creator: THLE3/PDP Released: FELI1/PDP	Document: DB22262046EN Version: 01	Page 2 of 2
---	---------------------------------------	-------------