


10455110	DATA SHEET	
Valid from: 20.11.2024	EPIC® H-A 3 MAGD	

Description

- Innovative metal housing
- For safe connections in the smallest possible space

General characteristics

Series	H-A 3
Version	Panel-mount base
Locking mechanism	Single lever
Protective cover	Yes
Cover sealing	See table
Protection rating (DIN EN 60529)	
cover	IP 44 (latched)
mated connector	IP 66 (latched) IP 68 - 1 meter / 10 hours (latched)
Protection rating (NEMA 250, UL50E)	4, 12 (latched)
Temperature range	-40 °C to +100 °C, short-term up to +125 °C



Materials and surfaces

Housing + cover, base material	Zinc die-casting
Housing + cover, surface	Powder-coating, grey
Lever	Steel, zinc-plated
Gasket	NBR

Standard

Safety Standard	IEC 61984, UL50E
-----------------	------------------


Approvals

UL-Approval, E-File-Number	E75770
----------------------------	--------

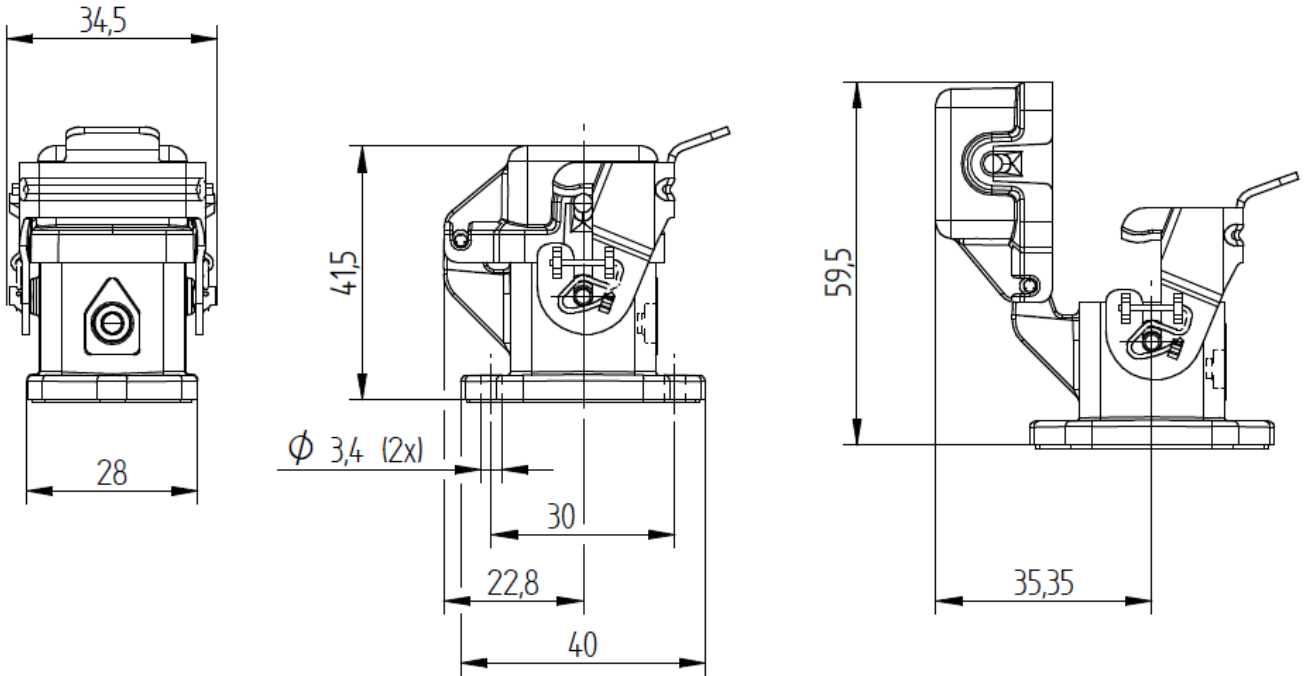
Versions

Article number	Article description	Cover sealing
10455110	EPIC® H-A 3 MAGD	Yes
10455120	EPIC® H-A 3 MAGD WITHOUT SELING	No

Creator: THBO1/BU-EPIC Released: VACH1/BU-EPIC	Document: DB10455110EN Version: 01	Page 1 of 2
---	---------------------------------------	-------------

10455110	DATA SHEET	
Valid from: 20.11.2024	EPIC® H-A 3 MAGD	

Drawings



Industrial machinery and plant engineering



Mechanical resistance



Robust



Waterproof

Info

Compact, robust metal housings size H-A 3

Application range

Machine and equipment manufacturing
Control engineering
Electronic laboratory

Remark

Photographs are not to scale and do not represent detailed images of the respective products.

Creator: THBO1/BU-EPIC Released: VACH1/BU-EPIC	Document: DB10455110EN Version: 01	Page 2 of 2
---	---------------------------------------	-------------