


19429 100	DATA SHEET	
Valid from: 16.08.2024	EPIC® H-A 3 TGVB	

Description

- Compact housing for power supply in the smallest place.
- For fixed installations.



General Characteristics

Series	H-A 3
Design size	3A
Version	Coupler hood
Locking	Single lever
Cable entry	M20x1,5 according to EN 60423
Cable gland	3 – 13,5mm
Protection rating (DIN EN 60529)	IP 65 (latched)
Temperature Range	-40°C to +100°C, short term up to +125°C

Materials / Surfaces

Housing	PA-GF
Locking lever	PA-GF
Pressure Screw	PA-GF
Pressure ring	Steel, zinc plated
Sealing ring	CR
Flammability Class according to UL94	HB
Halogenfree	no

Standard

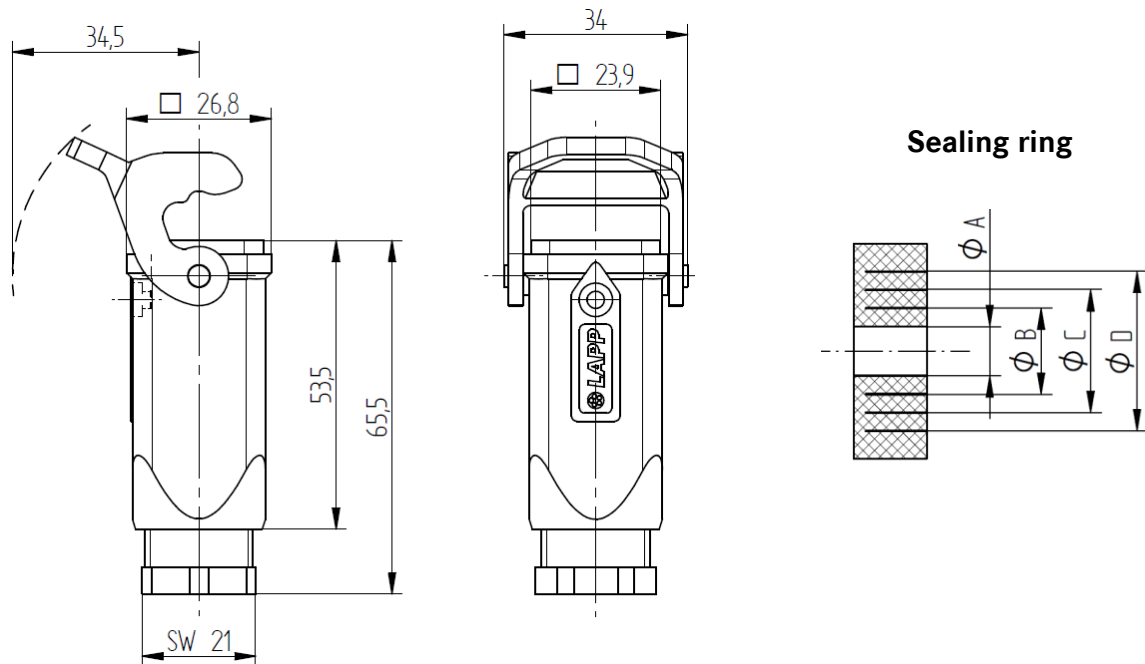
Harmonised standard	DIN EN 60529
Safety standard	IEC 61984
	Reduced cable strain relief – see table Clamping range on page 2
	No resistance to cable torsion

Versions

Article number	Article description	Cable gland	Color
19429100	EPIC® H-A 3 TGVB M20 gr 3-13,5mm	Yes	Grey (RAL 7035)
19620300	EPIC® H-A 3 TGVB M20 bk 3-13,5mm	Yes	Black (RAL 9005)

Creator: VACH1/BU EPIC Released: TODV1/BU EPIC	Document: DB19429100EN Version: 01	Page 1 of 2
---	---------------------------------------	-------------

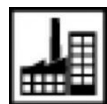
Technical Drawings



Clamping range

Adjustment of the sealing ring	Ø A	Ø B	Ø C	Ø D
Clamping range [mm]	3,0 - 5,0	5,0 - 7,5	7,5 - 10,5	10,5 - 13,5
Strain relief force [N] *	5	28	15	50
Tightening torque [Nm]	4	4	4	4

* Test conditions according to DIN EN 61984.
 Test was carried out with PVC-cable.
 The strain relief force depends on the type of cable used.



Industrial machinery and plant engineering



Mechanical resistance



Robust



Waterproof

Application range

Machine and equipment manufacturing, control engineering, electronic laboratory

Remark

Photographs are not to scale and do not represent detailed images of the respective products.