

79040400	DATA SHEET	
Valid from: 27.03.2026	EPIC® H-B 10 TBFH	

Description

- The standard for housings. Large selection of different inserts.
- Easy-to-grip, user-friendly design makes it easy to plug and unplug the connector.



General Characteristics

Series	H-B 10
Locking	double lever
Cable entry	top
Protection (DIN EN 60529)	IP 65 (latched)
Protection (NEMA 250, UL50E)	4, 12 (latched)
Temperature Range	-40°C to +125°C

Materials and Surfaces

Housing	aluminium alloy, powder-coated, grey
Lever	steel, zinc-plated
Gasket	NBR

Approvals

UL-Approval, E-File-Number	E75770
----------------------------	--------

Standard

Safety Standard	IEC 61984
-----------------	-----------

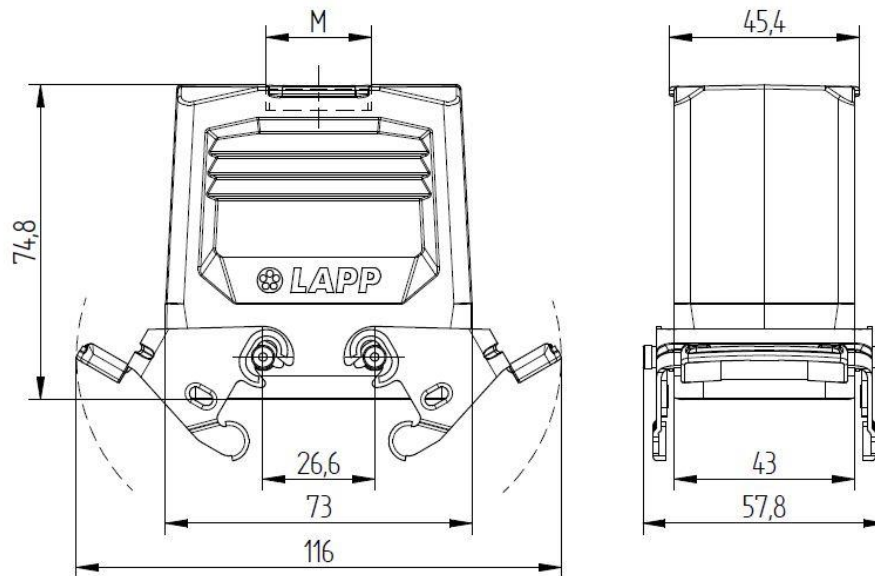
Versions

Article number	Article description	Thread M
79040400	EPIC® H-B 10 TBFH M25	M25x1,5
79040600	EPIC® H-B 10 TBFH M32	M32x1,5

Creator: TODV1/BU EPIC Released: THBO1/BU EPIC	Document: DB79040400EN Version: 02	Page 1 of 2
---	---------------------------------------	-------------

79040400	DATA SHEET	
Valid from: 27.03.2026	EPIC® H-B 10 TBFH	

Technical Drawings



Industrial machinery and plant engineering



Mechanical resistance



Robust



Waterproof



Automation

Info

Universal, robust metal housings size H-B 10

Application range

Plant engineering, Light & sound technology, Plastics industry

Remark

Photographs are not to scale and do not represent detailed images of the respective products.

Creator: TODV1/BU EPIC Released: THBO1/BU EPIC	Document: DB79040400EN Version: 02	Page 2 of 2
---	---------------------------------------	-------------