


79135200	DATA SHEET	
Valid from: 27.03.2026	EPIC® H-B 24 SGRH	

Description

- Ideal for many applications due to a wide range of housings and inserts



General Characteristics

Series	H-B 24
Version	Surface mount base
Locking	Double lever
Cable entry	Side entry, see table
Protection (DIN EN 60529)	IP 65 (latched)
Temperature Range	-40°C to +125°C

Materials and Surfaces

Housing	Aluminium alloy, powder-coated, grey
Lever	Stainless steel
Sealing	NBR

Approvals

UL-Approval, E-File-Number	In preparation
----------------------------	----------------

Standard

Safety Standard	IEC 61984
-----------------	-----------

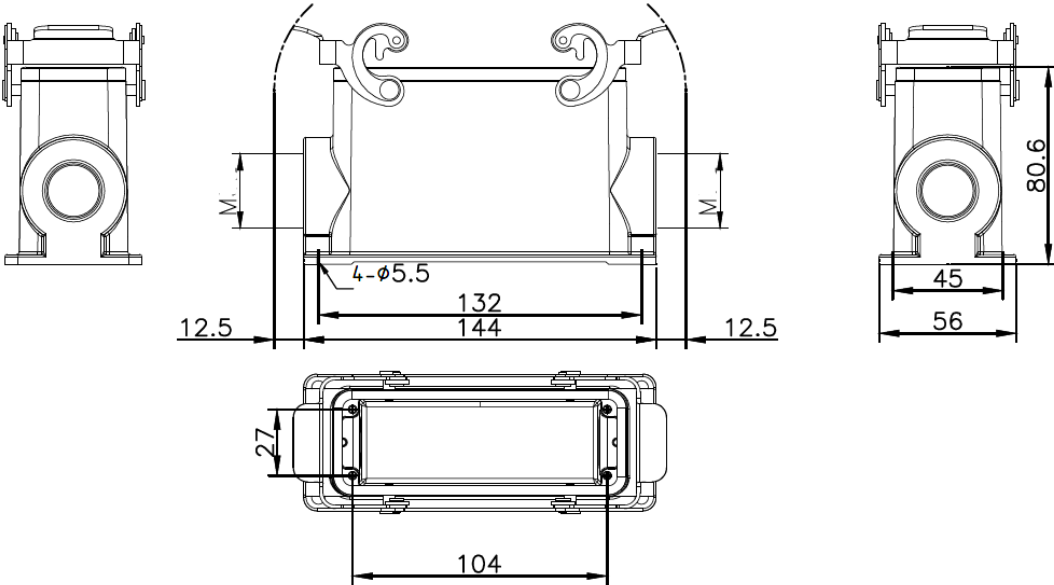
Versions

Article number	Article description	Cable entry (right)	Cable entry (left)
79135200	H-B 24 SGRH M25	M25	-
79135400	H-B 24 SGRH M32	M32	-
79136200	H-B 24 SGRLH M25	M25	M25
79136400	H-B 24 SGRLH M32	M32	M32

Creator: THBO1/BU EPIC Released: TODV1/BU EPIC	Document: DB79135200EN Version: 02	Page 1 of 2
---	---------------------------------------	-------------

79135200	DATA SHEET	
Valid from: 27.03.2026	EPIC® H-B 24 SGRH	

Technical Drawings



Automation



Industrial machinery and plant engineering



Mechanical resistance



Robust



Waterproof

Info

Universal, robust metal housings size H-B 24

Application range

- Plant engineering
- Light & sound technology
- Plastics industry

Remark

Photographs are not to scale and do not represent detailed images of the respective products.

Creator: THBO1/BU EPIC Released: TODV1/BU EPIC	Document: DB79135200EN Version: 02	Page 2 of 2
---	---------------------------------------	-------------