


10165000	<b>DATA SHEET</b>	
Valid from: 21.05.2026	<b>EPIC® H-B 48 SG</b>	

## Description

- The large, robust housing for two inserts in one connector
- Power and data in one connector



## General Characteristics

Series	H-B 48
Version	Surface-mount base
Locking	Single lever
Cable entry	Side, see table
Protection (DIN EN 60529)	IP 65 (latched)
Temperature Range	-40°C to +125°C

## Materials / Surfaces

Housing	Aluminium alloy, powder-coated, grey
Lever	stainless steel
Sealing	NBR

## Standard

Safety Standard	IEC 61984
-----------------	-----------


## Versions

Article number	Article description	Cable entry (right)	Cable entry (left)
19165000	EPIC® H-B 48 SGR M32	M32	-
19165100	EPIC® H-B 48 SGR M40	M40	-
19166000	EPIC® H-B 48 SGRL M32	M32	M32
19166100	EPIC® H-B 48 SGRL M40	M40	M40

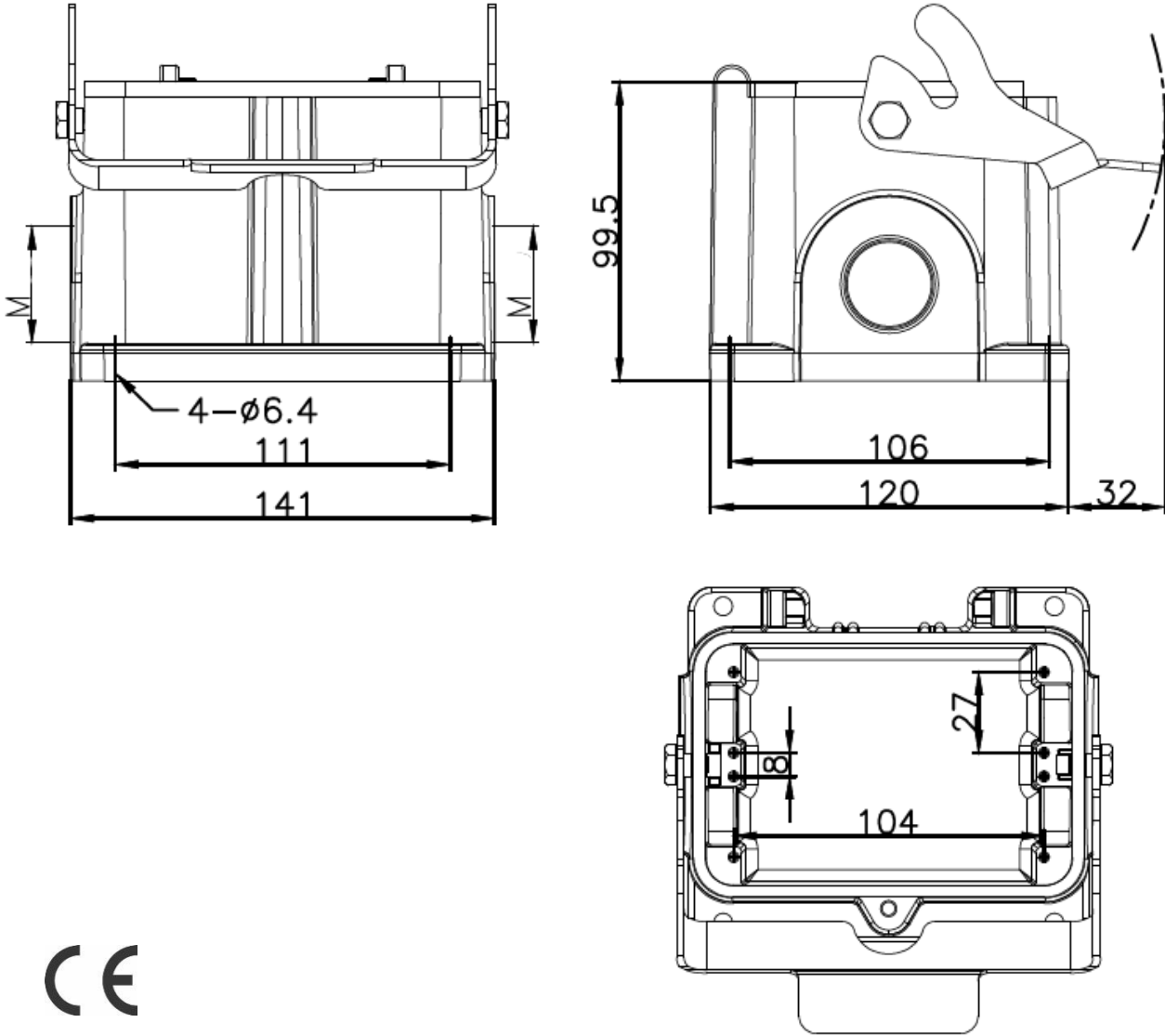
## Approvals

UL-Approval, E-File-Number	In preparation
----------------------------	----------------

Creator: THB01/PDP Released: TODV1/PDP	Document: DB10165000EN Version: 02	Page 1 of 2
---	---------------------------------------	-------------

10165000	<b>DATA SHEET</b>	
Valid from: 21.05.2026	EPIC® H-B 48 SG	

**Technical Drawings**



Industrial machinery and plant engineering



Mechanical resistance



Robust



Waterproof

**Application range**

Plant engineering, Plastics industry

**Remark**

Photographs are not to scale and do not represent detailed images of the respective products.

Creator: THB01/PDP Released: TODV1/PDP	Document: DB10165000EN Version: 02	Page 2 of 2
---	---------------------------------------	-------------