


79144400	DATA SHEET	
Valid from: 14.11.2025	EPIC® H-B 24 TGH-RO/TSH-RO	

Description

- The standard for housings. Large selection of different inserts.
- Easy-to-grip, user-friendly design makes it easy to plug and unplug the connector.



General Characteristics

Series	H-B 24
Locking	pins for single lever
Cable entry	top / side
Protection (DIN EN 60529)	IP 65 (latched)
Protection (NEMA 250, UL50E)	12 (latched)
Temperature Range	-40°C to +125°C

Materials and Surfaces

Housing	aluminium alloy, powder-coated, grey
---------	--------------------------------------

Approvals

UL-Approval, E-File-Number	E75770
----------------------------	--------


Standard

Safety Standard	IEC 61984
-----------------	-----------

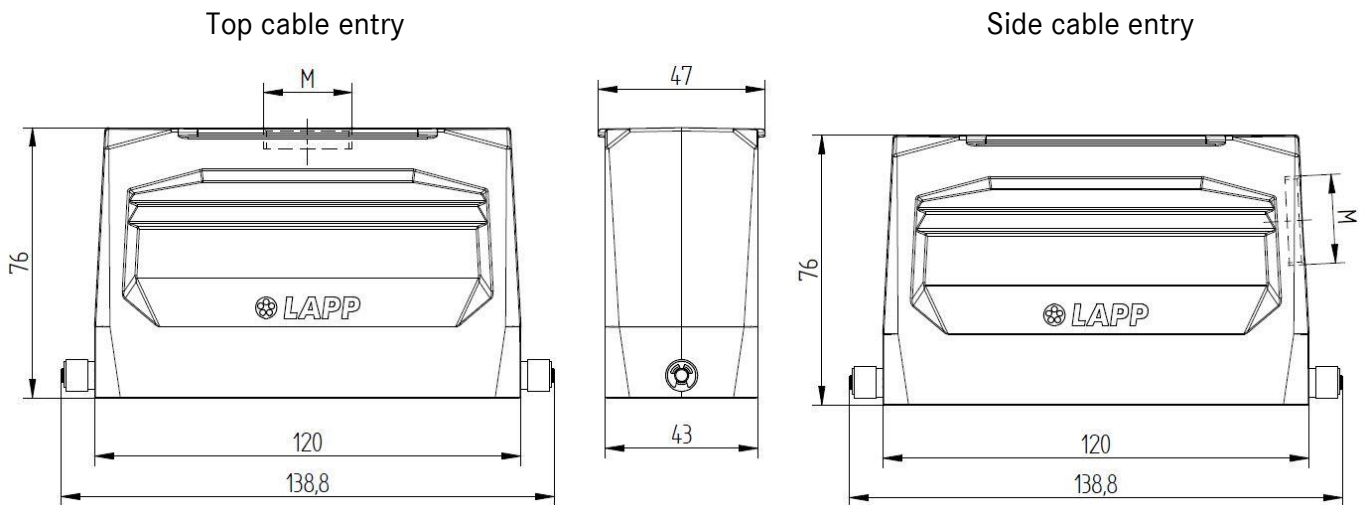
Versions

Article number	Article description	Thread M	Cable entry
79144400	EPIC® H-B 24 TGH-RO M25	M25x1,5	top
79144600	EPIC® H-B 24 TGH-RO M32	M32x1,5	top
79144800	EPIC® H-B 24 TGH-RO M40	M40x1,5	top
79154400	EPIC® H-B 24 TSH-RO M25	M25x1,5	side
79154600	EPIC® H-B 24 TSH-RO M32	M32x1,5	side
79154800	EPIC® H-B 24 TSH-RO M40	M40x1,5	side

Creator: TODV1/BU EPIC Released: MAJU2/BU EPIC	Document: DB79144400EN Version: 02	Page 1 of 2
---	---------------------------------------	-------------

79144400	DATA SHEET	
Valid from: 14.11.2025	EPIC® H-B 24 TGH-RO/TSH-RO	

Technical Drawings



Industrial machinery and plant engineering



Mechanical resistance



Robust



Waterproof



Automation

Info

Universal, robust metal housings size H-B 24

Application range

Plant engineering, Light & sound technology, Plastics industry

Remark

Photographs are not to scale and do not represent detailed images of the respective products.

Creator: TODV1/BU EPIC Released: MAJU2/BU EPIC	Document: DB79144400EN Version: 02	Page 2 of 2
---	---------------------------------------	-------------