
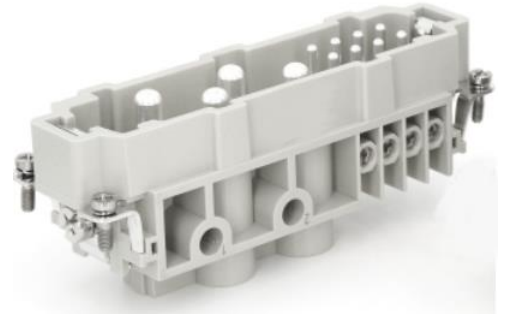


44424053	DATA SHEET	
Valid from: 17.06.2025	EPIC® H-K 004/8 MS	

Description

- 4 + 8 Pin inserts for harnessing
- Suitable for the general machinery and plant engineering, renewable energy and plastic industry
- 4 power contacts
6 signal contacts



Images may vary

General Characteristics

Series	H-K 4/8
Version	Male
Design Size	24B
Number of Contacts	12 + PE
Number of Power Contacts	4
Number of Signal Contacts	8
Termination Method	Screw termination
Power Conductor Cross-Section	1.5 – 16 mm ² /AWG 16-6
Signal Conductor Cross-Section	0.5 – 2.5 mm ² /AWG 20-14
Power Contacts wire Protection	No
Signal Contacts wire Protection	Yes
Temperature Range	-40°C up to +125°C


Mechanical Characteristics

Cycle of mechanical operation	≥ 500
Tightening torque power contact screw	1.2 Nm @ 1.5 mm ² 2 Nm @ 2.5 mm ² 3 Nm @ 4, 6, 10, 16 mm ²
Tightening torque signal contact screw	0.5 Nm
Stripping length power connection	14 mm
Stripping length signal connection	7.5 mm

Electrical Characteristics

Rated voltage Power, IEC	400 V
Rated Voltage Power, UL & CSA	600 V
Rated Impulse Voltage Power	6 kV
Rated Current Power, IEC	80 A
Rated Current Power, UL & CSA	80 A
Contact Resistance Power	≤ 0,3 mΩ
Rated voltage Signal, IEC	400 V
Rated Voltage Signal, UL & CSA	600 V
Rated Impulse Voltage Signal	4 kV
Rated Current Signal, IEC	16 A
Rated Current Signal, UL & CSA	16 A
Contact Resistance Signal	≤ 1 mΩ
Pollution degree Power/Signal	3

Creator: TODV1/BU EPIC	Document: DB44424053EN	Page 1 of 3
Released: THBO1/BU EPIC	Version: 01	

44424053	DATA SHEET	
Valid from: 17.06.2025	EPIC® H-K 004/8 MS	

Materials and Surfaces

Contacts	Copper alloy, hard-silver plated
Insulating Body	PC
Flammability Class according to UL 94	V-0

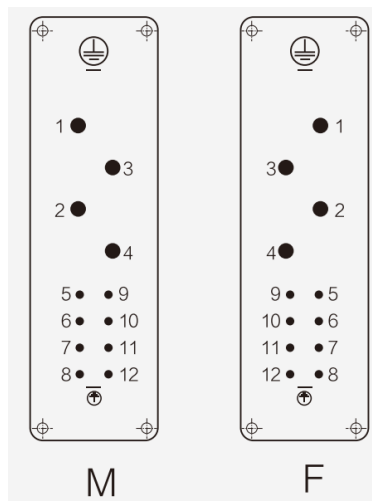
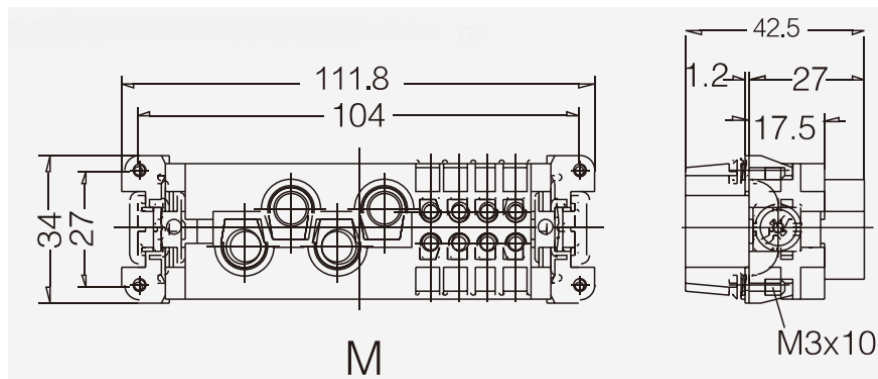
Certifications

UL- Certification, E-File-Number	E75770
----------------------------------	--------


Standard

Safety Standard	IEC 61984, IEC 60664-1 UL 1977 CSA 22.2 182.3
-----------------	---

Technical Drawings



Pin assignment

44424053	DATA SHEET	
Valid from: 17.06.2025	EPIC® H-K 004/8 MS	



Industrial machinery and plant engineering



Temperature-resistant



Robust

Info

Combination Insert Power/Signal

Application range

P Machine building, Mechanical engineering, renewable energy, plastic industry

Remark

Photographs are not to scale and do not represent detailed images of the respective products.

Creator: TODV1/BU EPIC Released: THBO1/BU EPIC	Document: DB44424053EN Version: 01	Page 3 of 3
---	---------------------------------------	-------------