


44423340	DATA SHEET	
Valid from: 12.06.2024	EPIC® MHS/MHB 6 LWL MODULE LC	

Description


- Fiber optic module to accommodate 6 assembled fiber optic LC connectors in one module
- No EMC influences on the FO data transmission
- Integrated coupling element (sleeve) in a module for direct connection and exact positioning of the connection
- Use for railway applications. Fire protection in rail vehicles: test according to EN 45545-2. requirement set R22 and R23. hazard level HL1, HL2 and HL3.
- EPIC® MH System is pluggable with the market standard
- The mix of different functions in one plug guarantees high flexibility



General characteristics

Type	Female insulation body (44423341) Male insulation body 44423340	
Number of contacts	6	
Mating cycles	≥ 500	
Material	Polyamid, glasfiber reinforced	
Inflammability class acc. with UL 94	V0	
Temperature range	-40° C to +125° C	
Suitable FO Patchcords	Singlemode: GOF Duplex Patchcord LC/LC E9 OS2 (Art.Nr. 29033902) Multimode: GOF Duplex Patchcord LC/LC G62.5 OM 1 (Art.Nr. 29033102) Multimode: GOF Duplex Patchcord LC/LC G50 OM 2 (Art.Nr. 29033202) Multimode: GOF Duplex Patchcord LC/LC G50 OM 3 (Art.Nr. 29033302) Multimode: GOF Duplex Patchcord LC/LC G50 OM 4 (Art.Nr. 29033402)	
(Der LWL-Standard must be identical at male and female side!)		
Suitable male frame	EPIC® MHS 6 multi-frame EPIC® MHS 10 multi-frame EPIC® MHS 16 multi-frame EPIC® MHS 24 multi-frame	(Art.Nr. 44423234) (Art.Nr. 44423236) (Art.Nr. 44423238) (Art.Nr. 44423240)
Suitable female frame	EPIC® MHB 6 multi-frame EPIC® MHB 10 multi-frame EPIC® MHB 16 multi-frame EPIC® MHB 24 multi-frame	(Art.Nr. 44423235) (Art.Nr. 44423237) (Art.Nr. 44423239) (Art.Nr. 44423241)

Creator: STKU3/PDP Released: IVSE1/PDP	Document: DB44423340EN Version: 01	Page 1 of 2
---	---------------------------------------	-------------

44423340	DATA SHEET	
Valid from: 12.06.2024	EPIC® MHS/MHB 6 LWL MODULE LC	

Transmission characteristics

Damping $\leq 0,75$ dB

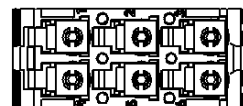
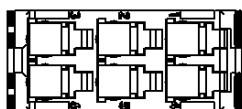
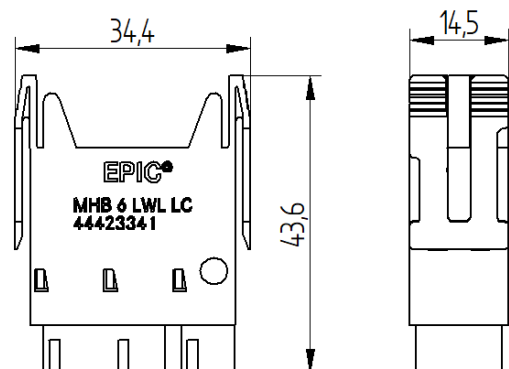
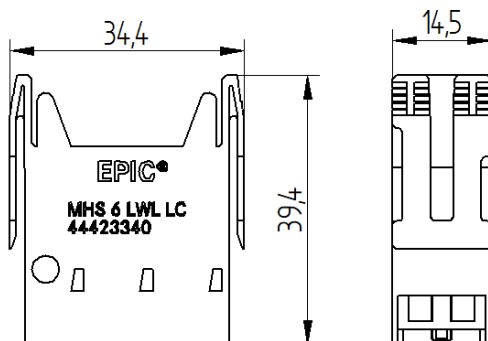
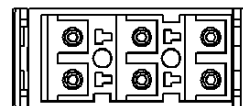
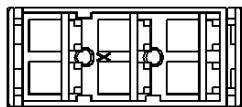
Standards/Approvals

Fire protection on railway vehicles	according to EN 45545-2 Requirement sets R22 and R23 Hazard level HL1, HL2 and HL3
Damping class	ISO/IEC 11801-1
cURus approval	in preparation

Drawings

male insulation body unprotected

female insulation body protected



Note

Photographs are not to scale and do not represent detailed images of the respective products.

The LWL-Plugs must be cleaned and the attenuation measured before each connection. To achieve an attenuation of ≤ 0.75 dB, cleaning can be carried out several times.

Creator: STKU3/PDP Released: IVSE1/PDP	Document: DB44423340EN Version: 01	Page 2 of 2
---	---------------------------------------	-------------