


38115833	DATA SHEET	
Valid from: 09.11.2023	EPIC® DATA FFC-LC-PC-OM3/4-F*-10PCS	

Description

- Hybrid Connector kit with mating face LC-Simplex for multimode-fibres 0,25mm/multimode-cores 0,9 mm or multimode cable 2,0/3.0 mm
- LC PC OM3/4
- Simple, fast assembly without polishing and without gluing
- With dust protection and cable boot



General parameters

Type	Plug, field-attachable
Connection technology, plug	interface 1: LC-Simplex (LC-S) interface 2: mechanical splice, fibre cut diagonally
Fibre type	Multimode, OM3/4
Protection class	IP 20
Temperature ranges: Operating temperature	-25°C ... 70°C / -13°F...158°F
Storage temperature	-25°C ... 70°C / -13°F...158°F
Allowed humidity	0 % ... 95 %
Compliances	RoHS compliant REACH compliant

Variants

Article	Designation	Cut type	Housing colour	Suitable for (F*)	PU
38115833	EPIC® DATA FFC-LC-PC-OM3/4-0.25/0.9-10PCS	PC	türkis	fibre 0,25 mm core 0,9 mm	10 pcs
38115834	EPIC® DATA FFC-LC-PC-OM3/4-2/3-10PCS	PC	türkis	cable 2,0 mm/3.0 mm	10 pcs


Optical parameters

Insertion loss (max.)	0.4 dB
Return loss (min.)	35 dB

Mechanical parameters

Cable access/outlet	180°
Ferrule Ø	1,25 mm
Tensile strength (at cable outlet)	5 N for fibre/core 0,25/0,9 mm 70 N for cable 2/3 mm
Plug-in cycles (min.)	500

Creator: THLE3/PDP Released: FELI1/PDP	Document: DB38115833EN Version: 03	page 1 of 2
---	---------------------------------------	-------------

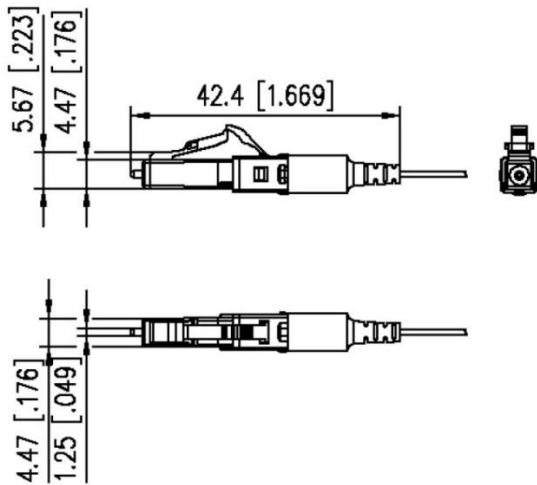
38115833	DATA SHEET	
Valid from: 09.11.2023	EPIC® DATA FFC-LC-PC-OM3/4-F*-10PCS	

Materials and material properties

Ferrule, material	ceramic
Housing, material	plastics
Cable boot, material	elastomer
Dust protection, material	elastomer

Technical drawings

Dimensional drawing



Standard

Fibre optic connector interface for type LC

IEC 61754-20

Scopes of application

Data centres, FTTH (Fiber to the Home), FITH (Fiber in the Home), repair work in the field

Note

Photographs are not to scale and do not represent detailed images of the respective products.

Creator: THLE3/PDP Released: FEL11/PDP	Document: DB38115833EN Version: 03	page 2 of 2
---	---------------------------------------	-------------