


38115797	DATA SHEET	
Valid from: 09.11.2023	EPIC® DATA FFC-LC-S*-OS2-F*-10PCS	

Description

- Hybrid Connector kit with mating face LC-simplex for singlemode fibres 0,25mm/singlemode cores 0,9 mm or singlemode cable 2,0/3.0 mm
- LC APC OS2/LC UPC OS2
- Simple, fast assembly without polishing and without gluing
- With dust protection and cable boot



General parameters

Type	Plug, field-attachable
Connection technology, plug	interface 1: LC-Simplex (LC-S) interface 2: mechanical splice, fibre cut diagonally
Fibre type	singlemode, OS2
Protection class	IP 20
Temperature ranges: Operating temperature	-25°C ... 70°C / -13°F...158°F
Storage temperature	-25°C ... 70°C / -13°F...158°F
Allowed humidity	0 % ... 95 %
Compliances	RoHS compliant REACH compliant

Variants

Article	Designation	Cut type (S*)	Housing colour	Suitable for (F*)	PU
38115797	EPIC® DATA FFC-LC-APC-OS2-0.25/0.9-10PCS	APC	green	fibre 0,25 mm core 0,9 mm	10 pcs
38115798	EPIC® DATA FFC-LC-APC-OS2-2/3-10PCS	APC	green	cable 2,0 mm/3.0 mm	10 pcs
38115799	EPIC® DATA FFC-LC-UPC-OS2-0.25/0.9-10PCS	UPC	blue	fibre 0,25 mm core 0,9 mm	10 pcs
38115800	EPIC® DATA FFC-LC-UPC-OS2-2/3-10PCS	UPC	Blue	cable 2,0 mm/3.0 mm	10 pcs


Optical parameters

Insertion loss (max.)	0,5 dB
Return loss (min.)	UPC: 50 dB APC: 60 dB

Mechanical parameters

Cable access/outlet	180°
Ferrule Ø	1,25 mm
Tensile strength (at cable outlet)	5 N for fibre/core 0,25/0,9 mm 70 N for cable 2/3 mm
Plug-in cycles (min.)	500

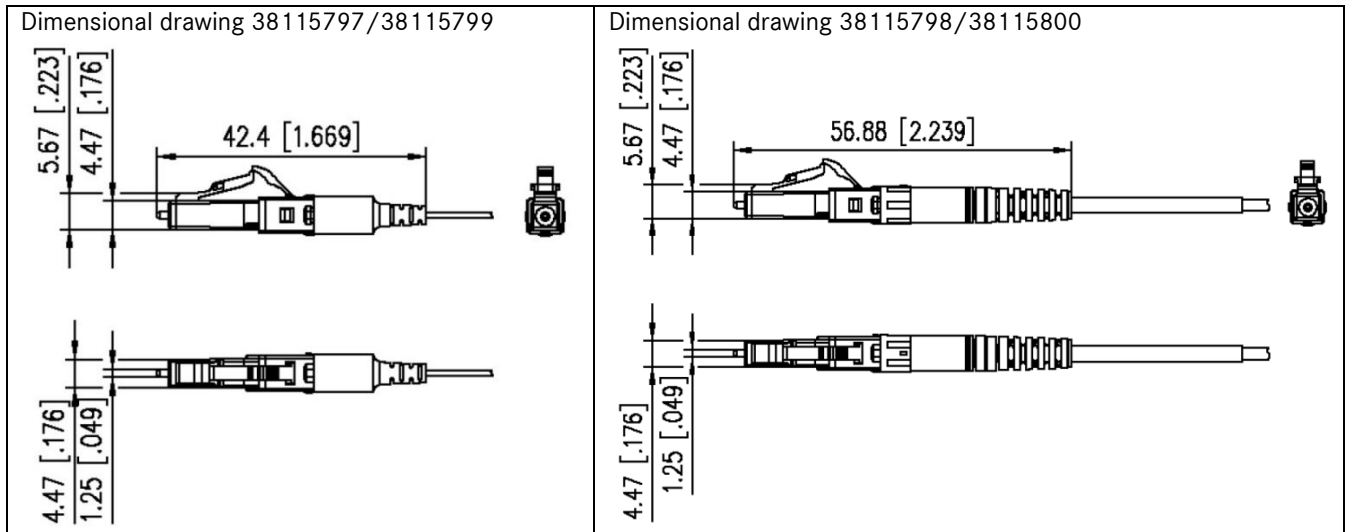
Creator: THLE3/PDP Released: FELI1/PDP	Document: DB38115797EN Version: 03	page 1 of 2
---	---------------------------------------	-------------

38115797	DATA SHEET	
Valid from: 09.11.2023	EPIC® DATA FFC-LC-S*-OS2-F*-10PCS	

Materials and material properties

Ferrule, material	ceramic
Housing, material	plastics
Cable boot, material	elastomer
Dust protection, material	elastomer

Technical drawings



Standard

Fibre optic connector interface for type LC IEC 61754-20

Scopes of application

Data centres, FTTH (Fiber to the Home), FITH (Fiber in the Home), repair work in the field

Note

Photographs are not to scale and do not represent detailed images of the respective products.

Creator: THLE3/PDP Released: FELI1/PDP	Document: DB38115797EN Version: 03	page 2 of 2
---	---------------------------------------	-------------