


53806030	DATA SHEET	
Valid from: 26.05.2026	SKINTOP® ST-G (PF) / STR-G (PF)	

The polyamide based SKINTOP® ST-G (PF)/STR-G (PF) is designed for universal use, above all for functional safety in manufacturing of machines and equipment, in measuring, controlling and automation, as well as in the electronic technology and in manufacturing of robots.



Material:

Gland body PA 6
 Cap nut PA 6
 Sealing insert Elastomer

Technical Features:

Connecting thread PF 1/2 – Parallel Pipe Thread
 Protection class / NEMA Type Rating IP68 – 5bar/30min acc. to DIN EN 60529
 NEMA Type 1 and Type 12
 Strain relief Categories A
 Temperature range -20°C up to +100°C
 Fire Classification V2 acc. to UL 94
 Design ST = Standard
 STR = Standard with reducing
 Colour Black, RAL 9005
 Silver-grey, RAL 7001
 Grey, RAL 7010

Tightening torques: 3,5 Nm (Cap nut)
 6,0 Nm (Gland body)

Approbation:




Norm Reference:

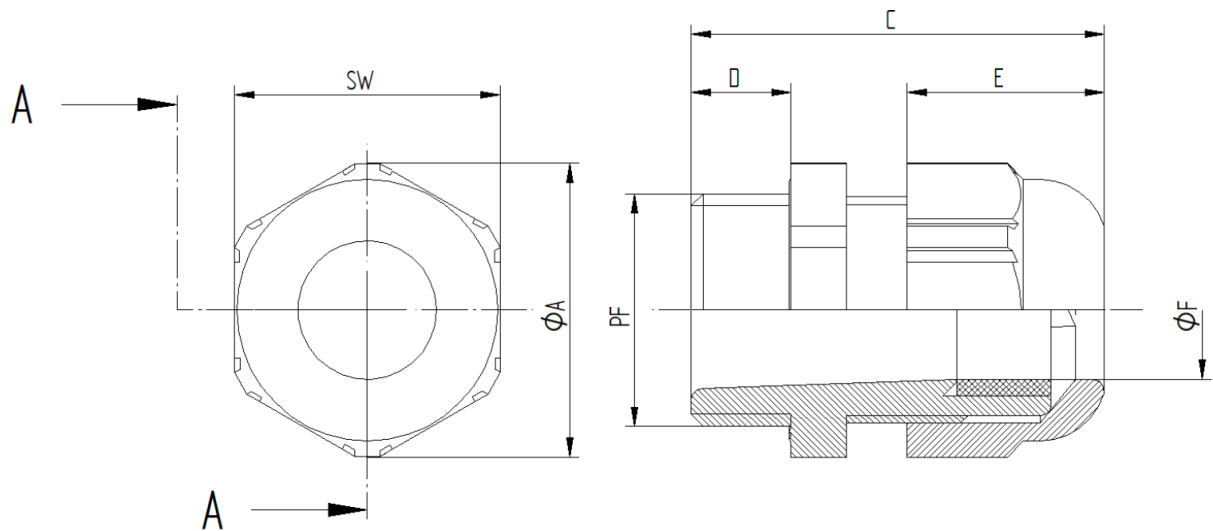


Suitable accessories:

SKINTOP® GMP-G (PF)

Creator: MOME3/PDP Released: DAMU1/PDP	Document: DB53806030EN Version: 07	Page 1 of 2
---	---------------------------------------	-------------

53806030	DATA SHEET	
Valid from: 26.05.2026	SKINTOP® ST-G (PF) / STR-G (PF)	



Dimension table:

Part No.	Thread G (PF)	Clamping range ØF mm	SW mm	ØA mm	C mm		D mm	E mm	Colour RAL
					min	max			
SKINTOP® ST-G (PF)									
53806030	1/2	5 - 12	24	26,5	31	38	9	16,5	RAL 7010
53806031	1/2	5 - 12	24	26,5	31	38	9	16,5	RAL 9005
53806032	1/2	5 - 12	24	26,5	31	38	9	16,5	RAL 7001
SKINTOP® STR-G (PF)									
53806130	1/2	4 - 9	24	26,5	31	38	9	16,5	RAL 7001

For more information please see our current catalogue. Please do not hesitate to contact our laboratory if there are any questions regarding resistance against aggressive agents and special oil.

Creator: MOME3/PDP Released: DAMU1/PDP	Document: DB53806030EN Version: 07	Page 2 of 2
---	---------------------------------------	-------------