

52108000	<b>DATA SHEET</b>	
Valid from: 21.04.2026	<b>SKINDICHT® SE-M</b>	

The SKINDICHT® SE-M is a die-cast zinc cable and wire entry with a 90° flange angle, including a incised sealing ring and a set screw.



### Components:

Angular housing	Zinc die-casting, nickel plated
Pressure screw	Brass, nickel plated
Pressure washer	Steel, zinc-plated
Incised sealing ring	CR
Sleeve	PE
O-Ring	NBR

### Technical Features:

Connecting thread	M20x1.5; M25x1.5 acc. to EN 60423
Temperature range	-20 °C up to +80 °C
Protection class	IP66 acc. to EN 60529
Surface	Nickel plated

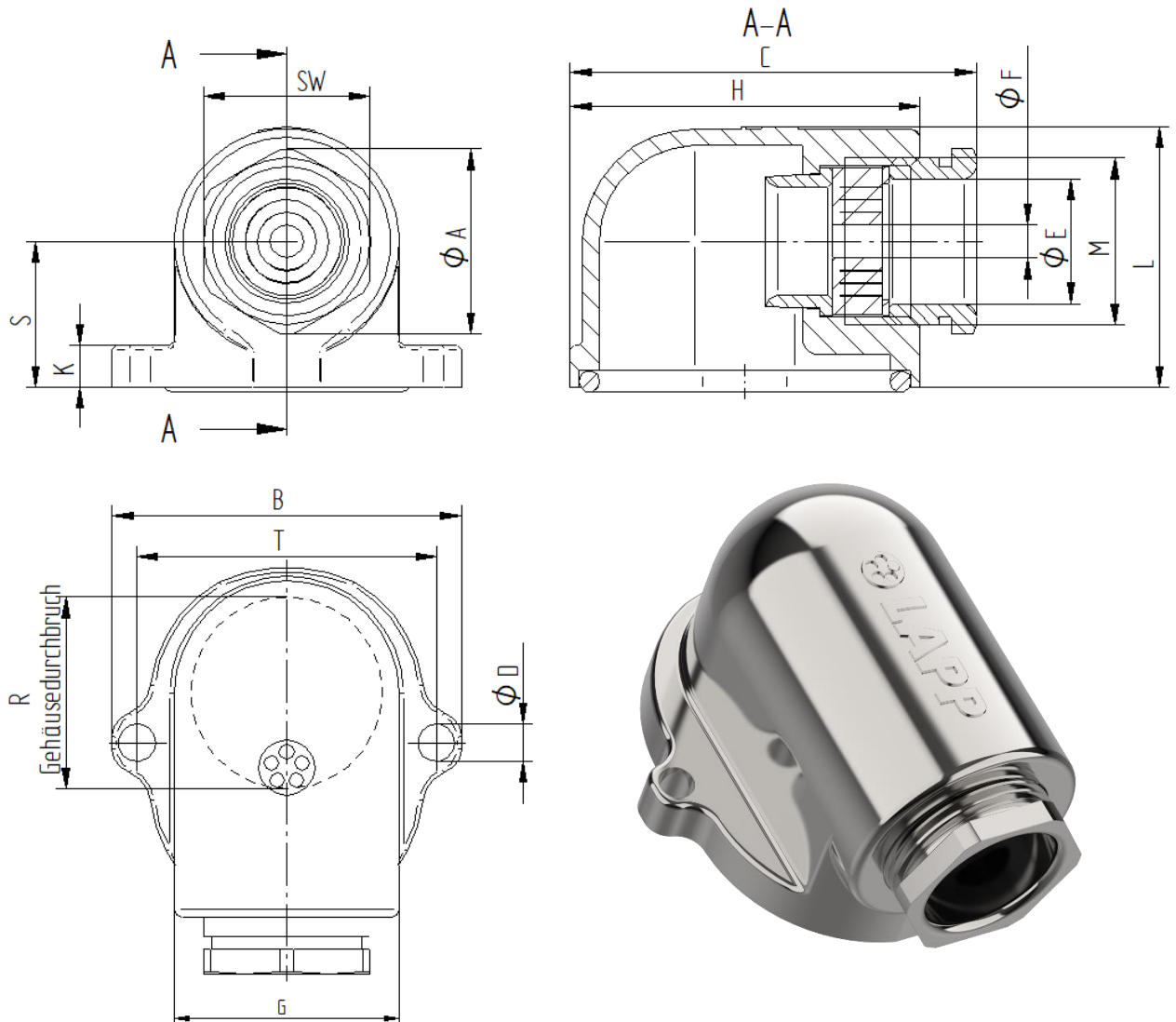
### Norm references:



Creator: STKU3 / PDP Released: DAMU1 / PDP	Document: DB52108000EN Version: 04	Page 1 of 2
---	---------------------------------------	-------------

52108000	<b>DATA SHEET</b>	
Valid from: 21.04.2026	<b>SKINDICHT® SE-M</b>	

**SKINDICHT® SE-M M20x1.5 / SKINDICHT® SE-M M25x1.5**



M	SW	ØA	B	C	ØD	ØE	ØF	G	H	K	L	R	S	T	Article-No.
M20x1,5	20	22,2	42	49,2	4,5	15	4 / 7 / 10 / 13	27	42	5	31,5	21	17,5	36	52108000
M25x1,5	25	27,5	60	68,2	5,2	20	8,5 / 11,5 / 14,5 / 17,5	35	60	7	40,3	27	22,5	52,5	52108010

For more information please see our current catalogue. Please do not hesitate to contact our laboratory if there are any questions regarding resistance against aggressive agents and special oil.

Creator: STKU3 / PDP Released: DAMU1 / PDP	Document: DB52108000EN Version: 04	Page 2 of 2
---	---------------------------------------	-------------