


52108001	DATA SHEET	
Valid from: 21.04.2026	SKINDICHT® SE-M without E+D	

The SKINDICHT® SE-M is a die-cast zinc cable and conduit entry with a 90° flange angle.

The version without E+D is supplied without an incised sealing ring and pressure screw. A separate cable gland is required.



Components:

Angular housing	Zinc die-casting, nickel plated
Sleeve	PE
O-ring	NBR


Technical Features:

Connection threads	M20x1.5; M25x1.5; acc. to EN 60423
Temperature range	-20 °C up to +100 °C
Protection class	Up to IP68 acc. to EN 60529 depending on the used cable gland
Surface	Nickel plated

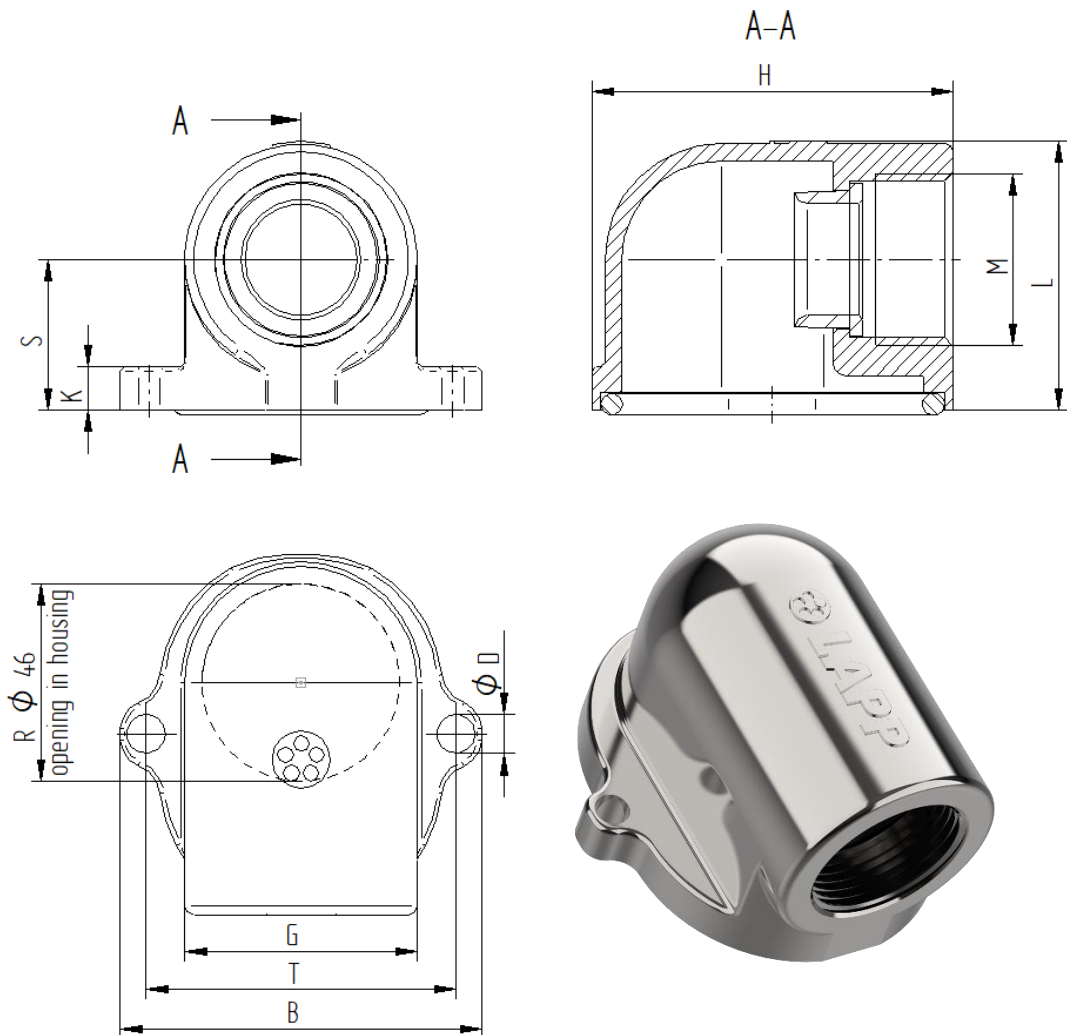
Norm references:



Creator: STKU3 / PDP Released: DAMU1 / PDP	Document: DB52108001EN Version: 03	Page 1 of 2
---	---------------------------------------	-------------

52108001	DATA SHEET	
Valid from: 21.04.2026	SKINDICHT® SE-M without E+D	

SKINDICHT® SE-M without E+D M20x1.5 / SKINDICHT® SE-M without E+D M25x1.5



M	B [mm]	Ø D [mm]	G [mm]	H [mm]	K [mm]	L [mm]	R [mm]	S [mm]	T [mm]	Article No.
M20x1,5	42	4,5	27	42	5	31,5	21	17,5	36	52108001
M25x1,5	60	5,2	35	60	7	40,3	27	22,5	52,5	52108011

For more information please see our current catalogue. Please do not hesitate to contact our laboratory if there are any questions regarding resistance against aggressive agents and special oil.

Creator: STKU3 / PDP Released: DAMU1 / PDP	Document: DB52108001EN Version: 03	Page 2 of 2
---	---------------------------------------	-------------