

# Technical data sheet

## Wall and support bracket MWAG 12 A2

Item number: 6424402



Light-duty wall and support bracket with edged design for screwless mesh cable tray fastening.  
Including truss-head bolt M10 x 25 for fastening to U supports.  
Including truss-head bolt M10 x 25 for fastening to U supports.



**A2** Stainless steel

**2B** Bright, treated

### Master data

Item number	6424402
Type	MWAG 12 21 A2
Description 1	Wall and support bracket
Description 2	for mesh cable tray
Manufacturer	OBO
Dimension	B210mm
Colour	stainless steel
Material	Stainless steel 1.4301
Surface	Bright, treated
Surface standard	
Smallest sales unit	1
Unit of quantity	Piece
Weight	26.9 kg
Weight unit	kg/100 pc.
CO2 Footprint (GWP) Cradle-to-Gate	1,7722 kg CO2e / 1 Piece

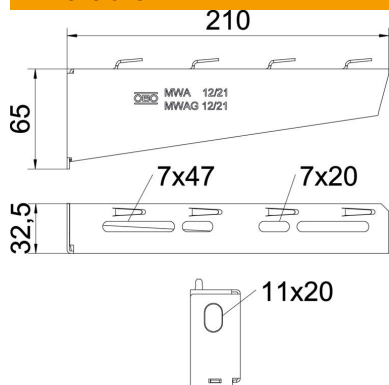
# Technical data sheet

## Wall and support bracket MWAG 12 A2

Item number: 6424402



### Dimensions



Width	210 mm
Height	65 mm
Dimension A	32.5 mm
Dimension B	210 mm
Dimension H	65 mm

### Technical data

Version for	Wall and support bracket
F in kN	1.2 kN
Maintain electrical functions for width min.	no
Hole diameter	200
Rustproof steel, pickled	11 mm
Angle range, max.	no
Angle range, min.	90 mm

### Characteristic anchor load values for wall and support bracket MWAG 12

Wall fastening	Max. load [kN]
	Bracket width [mm]
Anchor type	<TEXT><P>110</P></TEXT>, <TEXT><P>210</P></TEXT>, <TEXT><P>310</P></TEXT>, <TEXT><P>410</P></TEXT>
BZ3 10x90/0-30	<TEXT><P>1.2</P></TEXT>, <TEXT><P>1.2</P></TEXT>, <TEXT><P>1.2</P></TEXT>, <TEXT><P>1.2</P></TEXT>

Max. Belastung F ges. = Kabelgewicht + Kabelrinne + Ausleger. Die angegebenen Werte basieren auf gerissenem Beton der Festigkeitsklasse C20/25. Die Einbaubedingungen der ETA-Zulassung (Dübel) sind zu beachten!

### Load values for MWAG 12 on suspended support

	Support	Max. total load F in kN
		Bracket length in mm
		<TEXT><P>100</P></TEXT>, <TEXT><P>200</P></TEXT>, <TEXT><P>300</P></TEXT>, <TEXT><P>400</P></TEXT>
	US 3 K/ 20 - 60	<TEXT><P>1.2</P></TEXT>, <TEXT><P>1.2</P></TEXT>, <TEXT><P>1.2</P></TEXT>, <TEXT><P>1.2</P></TEXT>
	US 3 K/ 70 - 120	<TEXT><P>1.2</P></TEXT>, <TEXT><P>1.2</P></TEXT>, <TEXT><P>1.2</P></TEXT>, <TEXT><P>1.2</P></TEXT>
US 5 K/ 20 - 60	<TEXT><P>1.2</P></TEXT>, <TEXT><P>1.2</P></TEXT>, <TEXT><P>1.2</P></TEXT>, <TEXT><P>1.2</P></TEXT>	
US 5 K/ 70 - 120	<TEXT><P>1.2</P></TEXT>, <TEXT><P>1.2</P></TEXT>, <TEXT><P>1.2</P></TEXT>, <TEXT><P>1.2</P></TEXT>	