

Technical data sheet

Flat angle, asymmetrical, rising, for device installation trunking Rapid 80 type GS-A70170
Item number: 6277820



Flat angle, rising, for changing the direction of the GS device installation trunking.



St Steel

Master data

| | |
|------------------------------------|--------------------------|
| Item number | 6277820 |
| Type | GS-AFS70170RW |
| Description 1 | Flat angle |
| Description 2 | rising asymmetrical |
| Manufacturer | OBO |
| Dimension | 70x170x300 |
| Colour | Pure white; RAL 9010 |
| Material | Steel |
| Smallest sales unit | 1 |
| Unit of quantity | Piece |
| Weight | 152 kg |
| Weight unit | kg/100 pc. |
| CO2 Footprint (GWP) Cradle-to-Gate | 7,0947 kg CO2e / 1 Piece |

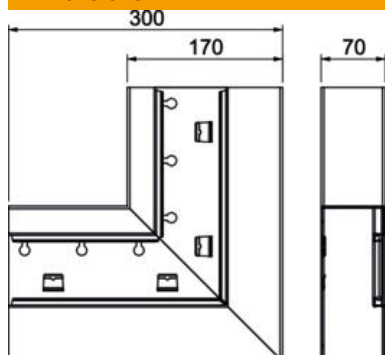
Technical data sheet

Flat angle, asymmetrical, rising, for device installation trunking Rapid 80 type GS-A70170

Item number: 6277820



Dimensions



| | |
|--------|--------|
| Length | 300 mm |
| Width | 170 mm |
| Height | 70 mm |

Technical data

| | |
|-----------------------------------|-----------------|
| Number of covers | 1 |
| Version for | Base |
| for duct width | 170 mm |
| for trunking height | 70 mm |
| Halogen-free | yes |
| Cable retaining clip | no |
| Duct connector | no |
| Cover mounting type | Internal |
| Mounting perforation in base | yes |
| Cover width | 76.5 mm |
| Change of direction | Vertical rising |
| Protection rating | IP30 |
| Protective film | yes |
| Protection rating IK code | IK10 |
| Symmetrical | no |
| Permitted temperature range, max. | 60 °C |
| Permitted temperature range, min. | -25 °C |
| Angle range, min. | 90 mm |