

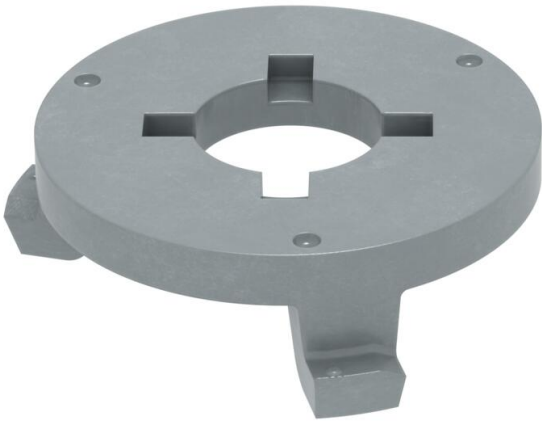
# Technical data sheet

## Rotary lock for corner bracket - DV UFD3

Item number: 7407199



Rotary lock for height adjustment screw in the corner bracket of a UZD/UGD.



**Zn** Die-cast zinc

### Master data

|                                    |                            |
|------------------------------------|----------------------------|
| Item number                        | 7407199                    |
| Type                               | DV UFD3                    |
| Description 1                      | Turn lock for corner angle |
| Description 2                      | for UFD3                   |
| Manufacturer                       | OBO                        |
| Material                           | Die-cast zinc              |
| Smallest sales unit                | 1                          |
| Unit of quantity                   | Packaging unit             |
| Weight                             | 7 kg                       |
| Weight unit                        | kg/100 PUs                 |
| CO2 Footprint (GWP) Cradle-to-Gate | 0,3869 kg CO2e / 20 Piece  |

# Technical data sheet

Rotary lock for corner bracket - DV UFD3

Item number: 7407199



## Dimensions

