

Technical data sheet

Wall and support bracket MWAG 12 A2

Item number: 6424404



Light-duty wall and support bracket with edged design for screwless mesh cable tray fastening.
Including truss-head bolt M10 x 25 for fastening to U supports.
Including truss-head bolt M10 x 25 for fastening to U supports.



A2 Stainless steel

2B Bright, treated

Master data

Item number	6424404
Type	MWAG 12 31 A2
Description 1	Wall and support bracket
Description 2	for mesh cable tray
Manufacturer	OBO
Dimension	B310mm
Colour	stainless steel
Material	Stainless steel 1.4301
Surface	Bright, treated
Surface standard	
Smallest sales unit	1
Unit of quantity	Piece
Weight	51.8 kg
Weight unit	kg/100 pc.
CO2 Footprint (GWP) Cradle-to-Gate	3,3169 kg CO2e / 1 Piece

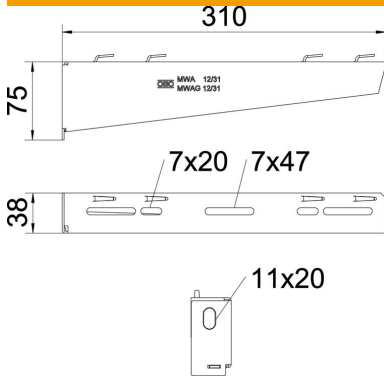
Technical data sheet

Wall and support bracket MWAG 12 A2

Item number: 6424404



Dimensions



Length	38 mm
Width	310 mm
Width	12 in
Height	75 mm
Height	2.95 in
Dimension A	38 mm
Dimension B	310 mm
Dimension H	75 mm
Dimension L	310 mm

Technical data

Version for	Wall and support bracket
F in kN	1.2 kN
Maintain electrical functions	no
for width min.	300
Hole diameter	11 mm
Rustproof steel, pickled	no
Angle range, max.	90 mm
Angle range, min.	90 mm

Characteristic anchor load values for wall and support bracket MWAG 12

Wall fastening	Max. load [kN]
Anchor type	Bracket width [mm]
BZ3 10x90/0-30	<TEXT><P>110</P></TEXT>, <TEXT><P>210</P></TEXT>, <TEXT><P>310</P></TEXT>, <TEXT><P>410</P></TEXT>
	<TEXT><P>1.2</P></TEXT>, <TEXT><P>1.2</P></TEXT>, <TEXT><P>1.2</P></TEXT>, <TEXT><P>1.2</P></TEXT>

Max. Belastung F ges. = Kabelgewicht + Kabelrinne + Ausleger. Die angegebenen Werte basieren auf gerissenem Beton der Festigkeitsklasse C20/25. Die Einbaubedingungen der ETA-Zulassung (Dübel) sind zu beachten!

Load values for MWAG 12 on suspended support

	Support	Max. total load F in kN
		Bracket length in mm
	US 3 K/ 20 - 60	<TEXT><P>100</P></TEXT>, <TEXT><P>200</P></TEXT>, <TEXT><P>300</P></TEXT>, <TEXT><P>400</P></TEXT>
	US 3 K/ 70 - 120	<TEXT><P>1.2</P></TEXT>, <TEXT><P>1.2</P></TEXT>, <TEXT><P>1.2</P></TEXT>, <TEXT><P>1.2</P></TEXT>
	US 5 K/ 20 - 60	<TEXT><P>1.2</P></TEXT>, <TEXT><P>1.2</P></TEXT>, <TEXT><P>1.2</P></TEXT>, <TEXT><P>1.2</P></TEXT>
	US 5 K/ 70 - 120	<TEXT><P>1.2</P></TEXT>, <TEXT><P>1.2</P></TEXT>, <TEXT><P>1.2</P></TEXT>, <TEXT><P>1.2</P></TEXT>