

Technical data sheet

Chequer plate cover DBKR

Item number: 6049097

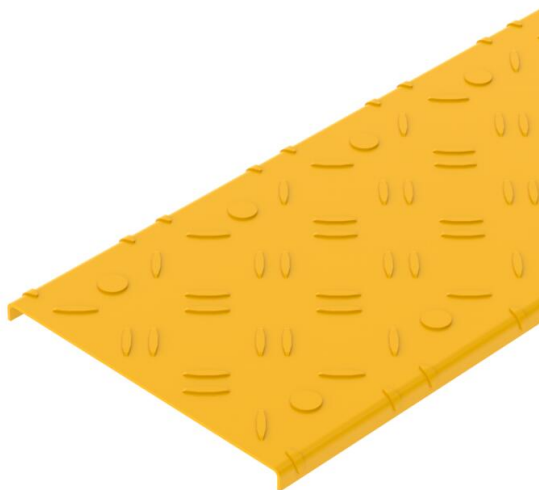


Chequer plate cover for the walkable cable tray system, type BKR.

The cover thickness is comprised of 2.0 mm of strip-galvanised sheet steel and a 1.3 mm chequer height.

Pre-marked break-out openings at a spacing of 100 mm allow reinstallation of a turn buckle.

When using covers outdoors, additional measures against the influence of wind must be taken.



St Steel

PES50-UDS-S – polyester/epoxy/visual surface coated – ultra-thin layer

Master data

Item number	6049097
Type	DBKR 200 FSK SGB
Description 1	Chequer plate cover
Description 2	for walkable cable trays
Manufacturer	OBO
Dimension	200x3000
Colour	signal yellow; RAL 1003
Material	Steel
Surface	PES50-UDS-S - Polyester/Epoxid/Sichtfläche beschichtet–Ultradünnschicht
Surface standard	
Smallest sales unit	3
Unit of quantity	Metre
Weight	354.1 kg
Weight unit	kg/100 m
CO2 Footprint (GWP) Cradle-to-Gate	7,9623 kg CO2e / 1 Meter

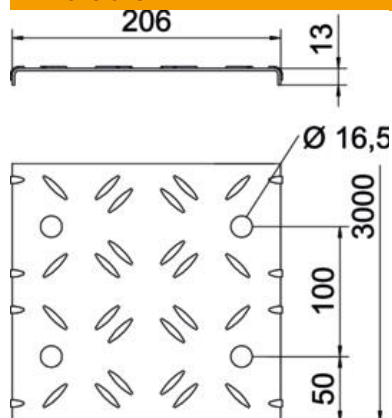
Technical data sheet

Chequer plate cover DBKR

Item number: 6049097



Dimensions



Length	3,000 mm
Width	200 mm
Height	13 mm
Plate thickness	3.3 mm
Dimension B	200 mm
Dimension b	50 mm
Dimension L	3,000 mm

Technical data

Number of turn buckles	0 St.
Fastening type	On top
Maintain electrical functions	no
Suitable for mesh cable tray	no
Suitable for cable ladder	no
Suitable for cable tray	yes
Rustproof steel, pickled	no