

Technical data sheet

Internal corner SLL IE2050

Item number: 6132240



Internal corner as a fitting for changing the direction of the skirting trunking.
Internal corner for snapping on to the base to conceal cuts.



PVC Polyvinylchloride

Master data

Item number	6132240
Type	SLL IE2050 rws
Description 1	Internal corner
Description 2	SL-L 20x50 9010
Manufacturer	OBO
Colour	Pure white; RAL 9010
Material	Polyvinylchloride
Smallest sales unit	10
Unit of quantity	Piece
Weight	1.06 kg
Weight unit	kg/100 pc.
CO2 Footprint (GWP) Cradle-to-Gate	0,0344 kg CO2e / 1 Piece

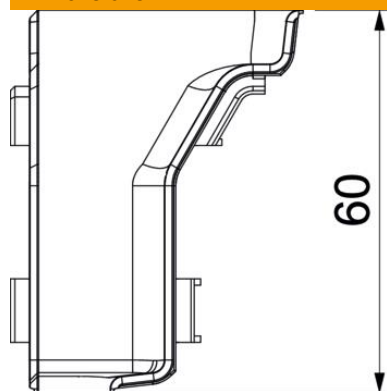
Technical data sheet

Internal corner SLL IE2050

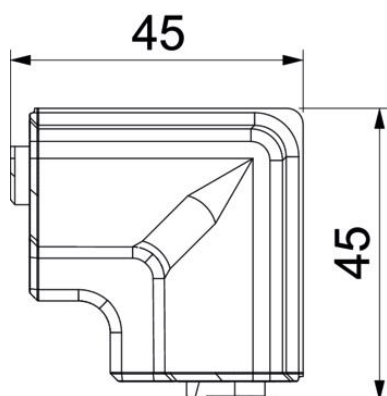
Item number: 6132240



Dimensions



Length	45 mm
Width	45 mm
Height	60 mm



Technical data

Version for	Hood fitting
Decoration	Without
Cover sealing lip	Wall/floor
Halogen-free	no
With carpet strip	no
Protection rating	IP40
Protection rating IK code	IK06
Permitted temperature range, max.	60 °C
Permitted temperature range, min.	-5 °C
Angle range, min.	90 mm