

# Technical data sheet

## Head plate US 5 FT SOMY

Item number: 7193547



Head plate for mounting on US 5 supports. In combination with the US 5 support, suspended supports of any length can be created in situ. Also suitable for fixing vertical ladders, type SLM 50.

The head plate can be mounted to fixed lengths of the U support, type US 5. The spacer, type DSK 45, is used to install the head plate.



St Steel

FT SO Hot-dip galvanised 85 µm

### Master data

Item number	7193547
Type	KUS 5 FT SO
Description 1	Head plate
Description 2	for US 5 support
Manufacturer	OBO
Dimension	140x75x104
Colour	zinc
Material	Steel
Surface	Hot-dip galvanised 85 µm
Surface standard	DIN EN ISO 1461
Smallest sales unit	1
Unit of quantity	Piece
Weight	63 kg
Weight unit	kg/100 pc.
CO2 Footprint (GWP) Cradle-to-Gate	1,7297 kg CO2e / 1 Piece

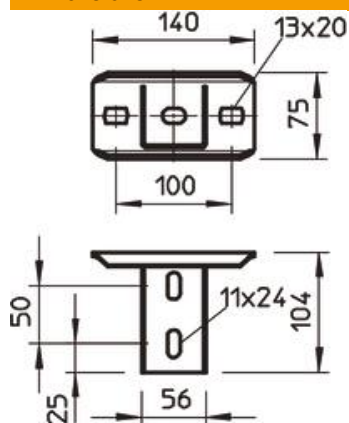
# Technical data sheet

## Head plate US 5 FT SOMY

Item number: 7193547



### Dimensions



Length	140 mm
Width	75 mm
Height	104 mm

### Technical data

Version for	Screw head plate
Maintain electrical functions	no
Suitable for ceiling fastening	yes
Suitable for panel fastening	no
Suitable for profile shapes	U profile
Rustproof steel, pickled	no
Angle range, max.	90 mm
Angle range, min.	90 mm