

# Technical data sheet

## External corner SLL AE2070

Item number: 6132262



External corner as a fitting for changing the direction of the skirting trunking.  
External corner for snapping on to the base to conceal cuts.



**PVC** Polyvinylchloride

### Master data

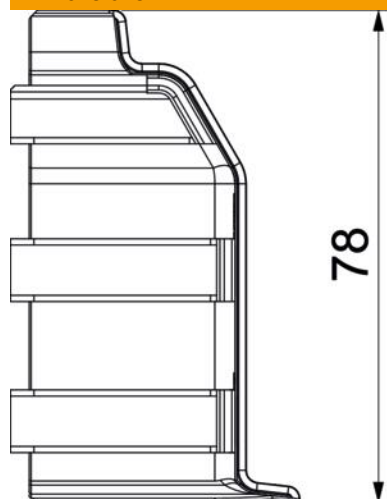
Item number	6132262
Type	SLL AE2070 rws
Description 1	External corner
Description 2	SL-L 20x70 9010
Manufacturer	OBO
Colour	Pure white; RAL 9010
Material	Polyvinylchloride
Smallest sales unit	10
Unit of quantity	Piece
Weight	1.87 kg
Weight unit	kg/100 pc.
CO2 Footprint (GWP) Cradle-to-Gate	0,0535 kg CO2e / 1 Piece

# Technical data sheet

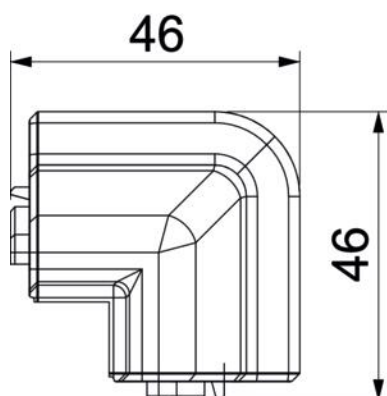
## External corner SLL AE2070

Item number: 6132262

### Dimensions



Length	78 mm
Height	46 mm



### Technical data

Version for	Hood fitting
Decoration	Without
Cover sealing lip	Wall/floor
Halogen-free	no
With carpet strip	no
Protection rating	IP40
Protection rating IK code	IK06
Permitted temperature range, max.	60 °C
Permitted temperature range, min.	-5 °C
Angle range, min.	90 mm