

Technical data sheet

Device panels BRK BL CEE

Item number: 6133591



Device cover for covering CEE sockets for the Signa Base trunking system.



Polycarbonate/Acrylnitrile-butadiene-styrene

Master data

Item number	6133591
Type	BRK BL CEE rws
Description 1	Device cover
Description 2	SIGNA BASE 9010 CEE
Manufacturer	OBO
Dimension	120x95x10
Colour	Pure white; RAL 9010
Material	Polycarbonate/Acrylnitrile-butadiene-styrene
Smallest sales unit	1
Unit of quantity	Piece
Weight	2.03 kg
Weight unit	kg/100 pc.
CO2 Footprint (GWP) Cradle-to-Gate	0,1259 kg CO2e / 1 Piece

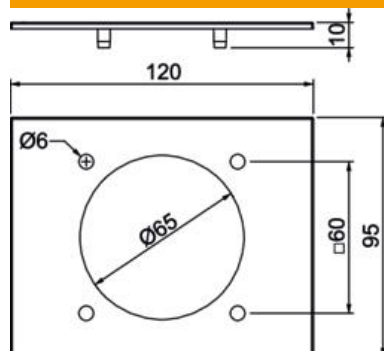
Technical data sheet

Device panels BRK BL CEE

Item number: 6133591



Dimensions



Length	120 mm
Width	95 mm
Height	10 mm

Technical data

Version for	Smooth
Halogen-free	yes
Cover width	95 mm
Protective film	no