

# Technical data sheet

Flat angle, trunking type WDK 100230

Item number: 6182349



Flat angle for changing the direction of the WDK trunking.



**PVC** Polyvinylchloride

## Master data

Item number	6182349
Type	WDK F100230GR
Description 1	Flat angle
Manufacturer	OBO
Dimension	400x230x100
Colour	Stone grey; RAL 7030
Material	Polyvinylchloride
Smallest sales unit	1
Unit of quantity	Piece
Weight	188.5 kg
Weight unit	kg/100 pc.
CO2 Footprint (GWP) Cradle-to-Gate	9,8354 kg CO2e / 1 Piece

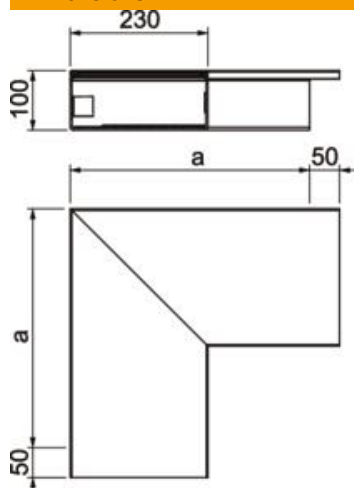
# Technical data sheet

Flat angle, trunking type WDK 100230

Item number: 6182349



## Dimensions



Length	400 mm
Width	230 mm
Height	100 mm
Dimension a	400 mm

## Technical data

Version for	Base and cover
Fastening type	Base perforation
Maintain electrical functions	no
for duct dimension	100 x 230
Halogen-free	no
Trunking depth	100 mm
Protection rating	IP30
Protective film	no
Protection rating IK code	IK04
Permitted temperature range, max.	60 °C
Permitted temperature range, min.	-5 °C
Angle range, max.	90 mm
Angle range, min.	90 mm