

# Technical data sheet

## Chequer plate cover DBKR

Item number: 6049095



Chequer plate cover for the walkable cable tray system, type BKR.

The cover thickness is comprised of 2.0 mm of strip-galvanised sheet steel and a 1.3 mm chequer height.

Pre-marked break-out openings at a spacing of 100 mm allow reinstallation of a turn buckle.

When using covers outdoors, additional measures against the influence of wind must be taken.



**St** Steel

PES50-UDS-S – polyester/epoxy/visual surface coated – ultra-thin layer

### Master data

Item number	6049095
Type	DBKR 100 FSK SGB
Description 1	Chequer plate cover
Description 2	for walkable cable trays
Manufacturer	OBO
Dimension	100x3000
Colour	signal yellow; RAL 1003
Material	Steel
Surface	PES50-UDS-S - Polyester/Epoxid/Sichtfläche beschichtet-Ultradünnschicht
Surface standard	
Smallest sales unit	3
Unit of quantity	Metre
Weight	196.2 kg
Weight unit	kg/100 m
CO2 Footprint (GWP) Cradle-to-Gate	4,4497 kg CO2e / 1 Meter

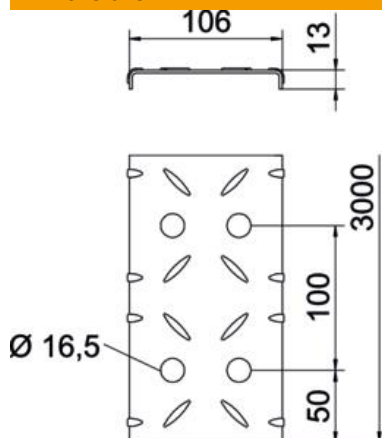
# Technical data sheet

## Chequer plate cover DBKR

Item number: 6049095



### Dimensions



Length	3,000 mm
Width	100 mm
Height	13 mm
Plate thickness	3.3 mm
Dimension B	100 mm
Dimension b	50 mm
Dimension L	3,000 mm

### Technical data

Number of turn buckles	0 St.
Fastening type	On top
Maintain electrical functions	no
Suitable for mesh cable tray	no
Suitable for cable ladder	no
Suitable for cable tray	yes
Rustproof steel, pickled	no