

Technical data sheet

ISO nail clip 2009, light grey

Item number: 2227746



ISO nail clip, short design



PP Polypropylene

Master data

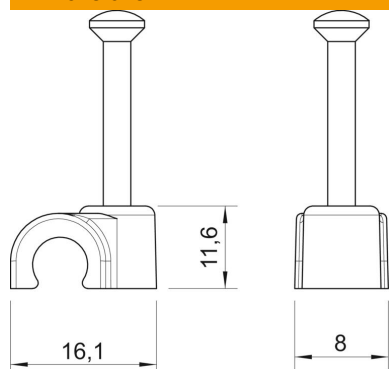
| | |
|------------------------------------|--------------------------|
| Item number | 2227746 |
| Type | 2009 45 LGR |
| Description 1 | ISO nail clip |
| Manufacturer | OBO |
| Dimension | 9mm, L45 |
| Colour | Light grey; RAL 7035 |
| Material | Polypropylene |
| Smallest sales unit | 100 |
| Unit of quantity | Piece |
| Weight | 0.153 kg |
| Weight unit | kg/100 pc. |
| CO2 Footprint (GWP) Cradle-to-Gate | 0,0054 kg CO2e / 1 Piece |

Technical data sheet

ISO nail clip 2009, light grey

Item number: 2227746

Dimensions



| | |
|-------------|---------|
| Dimension B | 8 mm |
| Dimension H | 11.6 mm |
| Dimension L | 16.1 mm |

Technical data

| | |
|--------------------------|-----------------------------|
| Double clip | no |
| Shape for cable diameter | Round (for round conductor) |
| For nail diameter | 2,0x45 |
| Hardened | yes |
| Halogen-free | yes |
| With nail | yes |
| Nail length | 45 mm |
| Impact-resistant | no |
| Transparent | no |
| Pipe locking | no |