

Technical data sheet

Large washer

Item number: 6408703



Washer of particularly large outer diameter.



CE

A2 Stainless steel

Master data

Item number	6408703
Type	DIN440 7 A2
Description 1	Washer
Description 2	to DIN 440
Manufacturer	OBO
Dimension	M6
Colour	stainless steel
Material	Stainless steel 1.4301
Smallest sales unit	100
Unit of quantity	Piece
Weight	0.535 kg
Weight unit	kg/100 pc.
CO2 Footprint (GWP) Cradle-to-Gate	0,0018 kg CO2e / 1 Piece

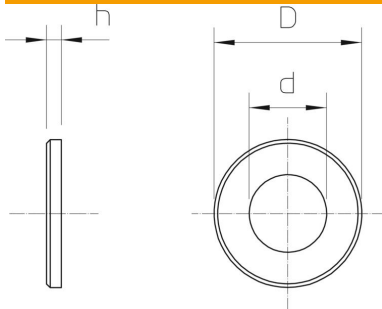
Technical data sheet

Large washer

Item number: 6408703



Dimensions



Dimension d	6.6 mm
Dimension d max.	22 mm
Dimension d min.	22 mm
Dimension h	2 mm

Technical data

Thread	M6
Hole diameter	6.6 mm
Material thickness	2 mm
Hole shape	Round