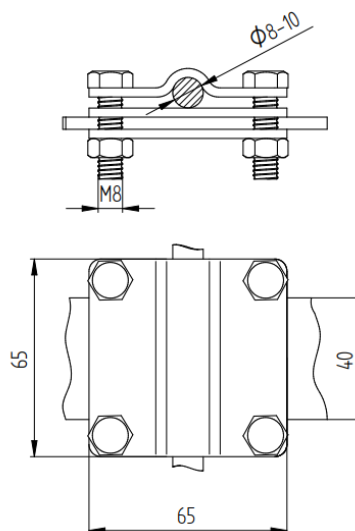


DATA SHEET

Cross-connector L-65 with intermediate plate for wire and flat conductor

Product code

101812



Technical description

Connector with intermediate plate for cross-connection and T-type connection of $\phi(8-10)$ mm wire and flat conductor ≤ 40 mm for lightning protection, earthing and equipotential bonding system. Mounting by means of 4pcs M8x25 hexagon screws. Maximum lightning current carrying capacity 50kA.

Technical data

Material	Hot dip galvanized steel, StZn
Weight (1 unit)	0,32 kg
In accordance with the standard	EN-62305
Meets the requirements of the standard	EN 62561-1
Ean code	5903699800379
Customs code	83024190

Due to continuous technological development, the company reserves the right to change the technical parameters of the products.
The illustrations shown are not binding.