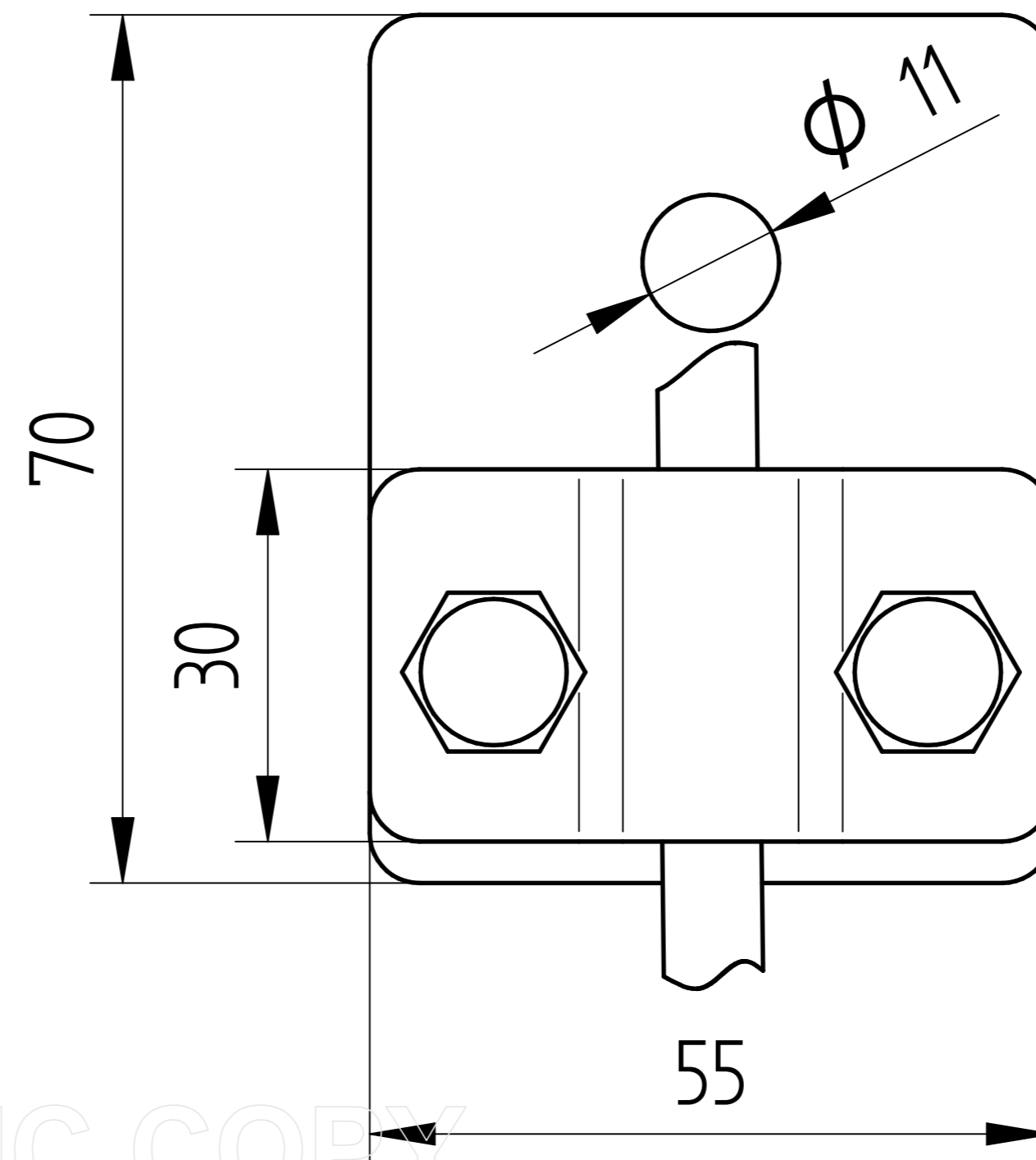
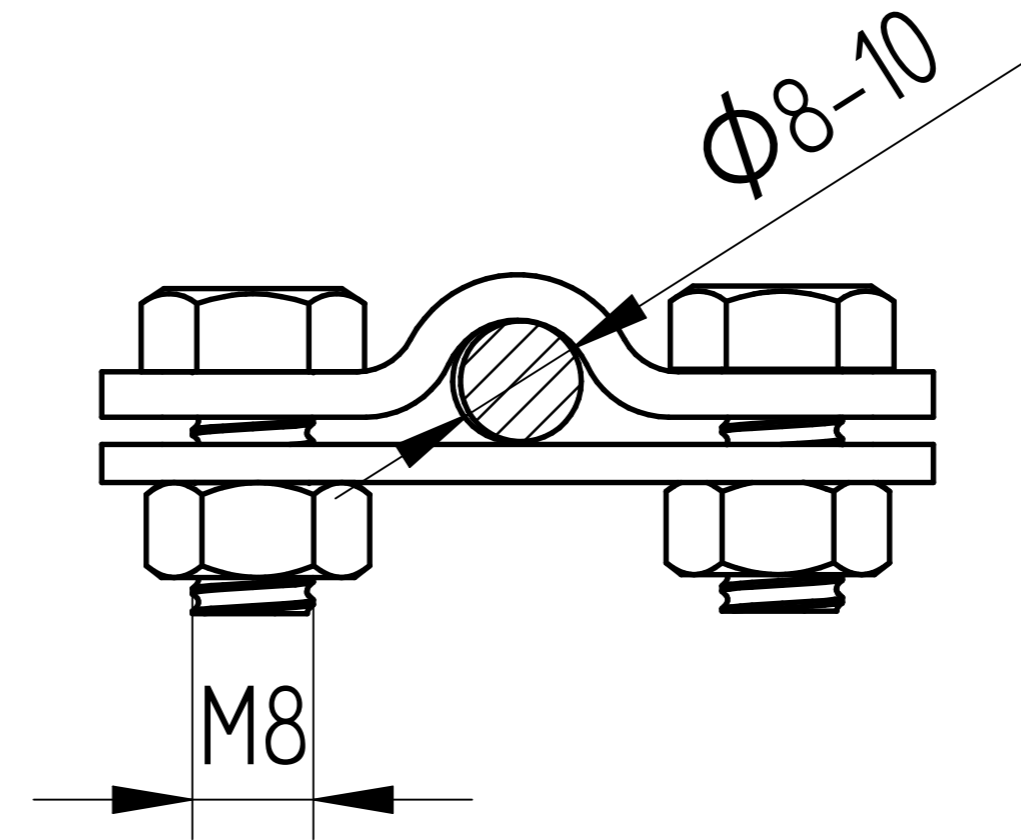


REVISION HISTORY			
REV	DESCRIPTION	DATE	APPROVED



	NAME	DATE	Solid Edge		
DRAWN	Gromtor	05/23/22			
CHECKED			TITLE		
ENG APPR					
MGR APPR			SIZE	DWG NO	REV
UNLESS OTHERWISE SPECIFIED DIMENSIONS ARE IN MILLIMETERS ANGLES ±XX° 2 PL ±XXX 3 PL ±XXXX			FILE NAME: 1071112 rysunek.dft		
			SCALE:	WEIGHT:	SHEET 1 OF 1

SOLID EDGE ACADEMIC COPY